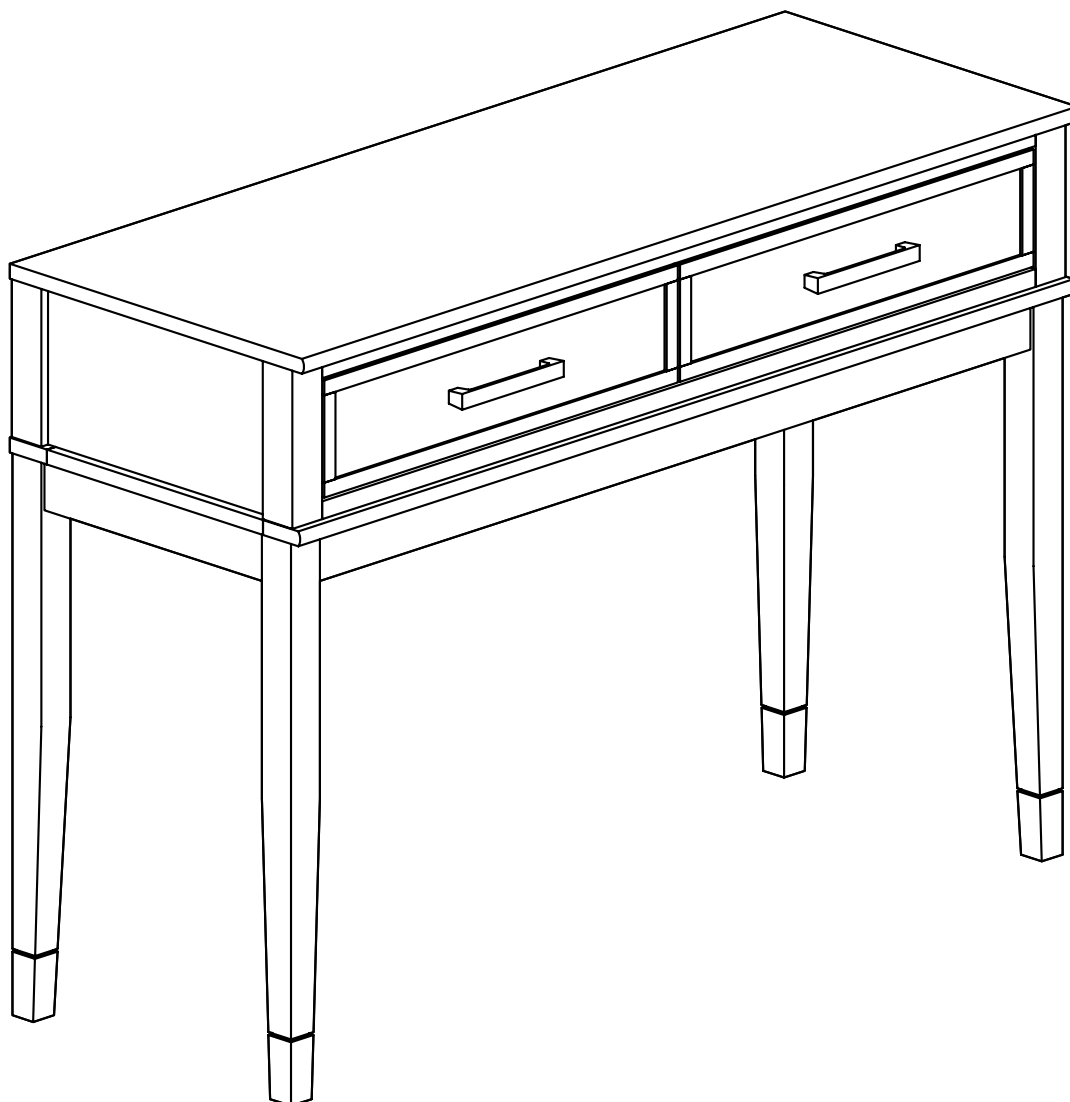


7666872COMUK

Date of Purchase: ___/___/___

Lot Number:



THIS INSTRUCTION BOOKLET CONTAINS **IMPORTANT** SAFETY INFORMATION. PLEASE READ AND KEEP FOR FUTURE REFERENCE.

Do Not Return This Product!

Contact our customer service team for help first

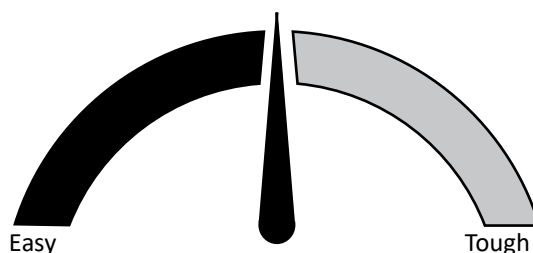
Call: 01942 524100

E-mail: cseurope@dorel.com



WARNING

- Unit can tip over causing severe injury or death.
- Anchor unit to stud in wall (if instructed to)
- Do not allow children climb on unit
- Put heavy items on lower shelves or drawers



Assembly Difficulty Meter

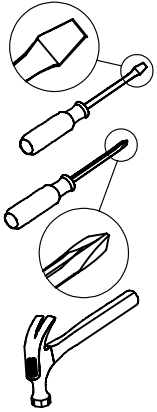
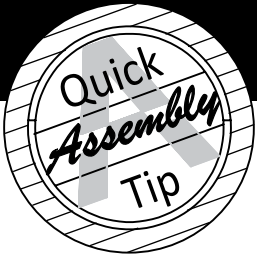
Helpful Hints

PEOPLE NEEDED FOR ASSEMBLY: **1-2**
ESTIMATED ASSEMBLY TIME: **1 HOUR**

- Open your item in the area you plan to keep it for less heavy lifting
- Identify, sort and count the parts before attempting assembly
- Compression dowels are tapped in with a hammer
- Slides are labeled with a R (right) and L (left) for proper placement
- Make sure to always face the point on the top of the Cam Lock towards the outer edge
- Use all the nails provided for the back panel and spread them out equally
- Back Panel must be used to make sure your unit is sturdy
- Do NOT use harsh chemicals or abrasive cleaners on this item
- Never push, pull, or drag your furniture



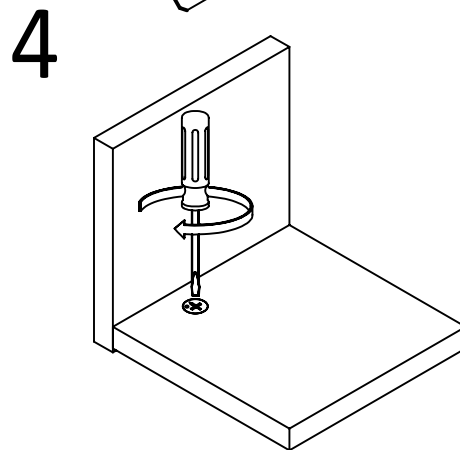
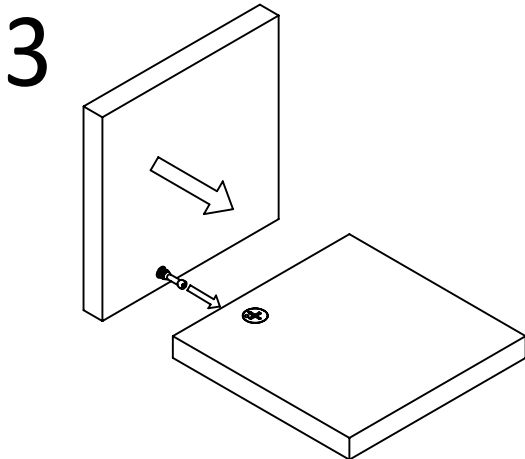
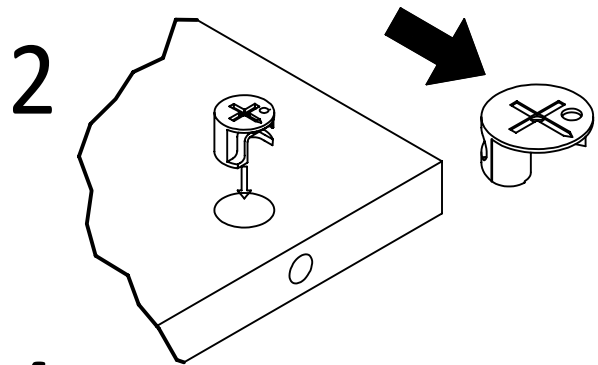
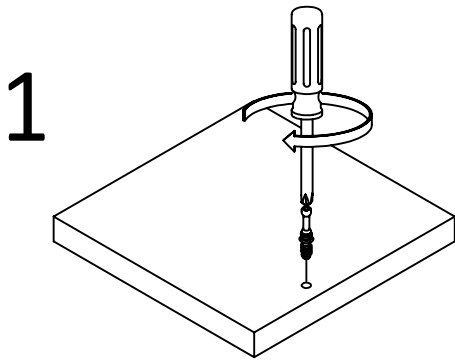
Before You Start



- ✓ Read through each step carefully and follow the proper order
- ✓ Separate and count all your parts and hardware
- ✓ Give yourself enough room for the assembly process
- ✓ Have the following tools: Flat Head Screwdriver, #2 Phillips Head Screwdriver and Hammer
- ✓ Caution: If using a power drill or power screwdriver for screwing, please be aware to slow down and stop when screw is tight. Failure to do so may result in stripping the screw.

Cam Lock Fastening System

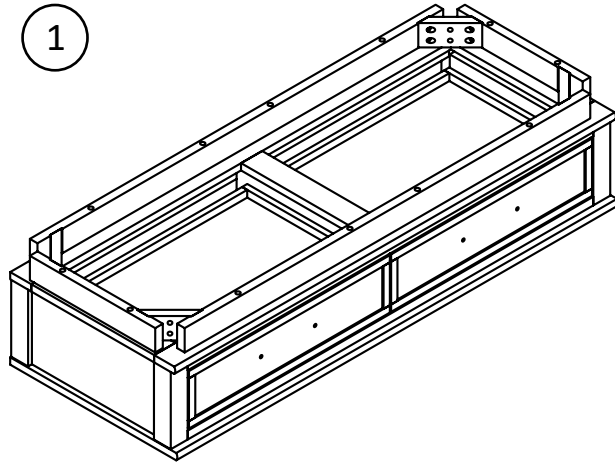
This Cam Lock Fastening System will be used throughout the assembly process.



Board Identification

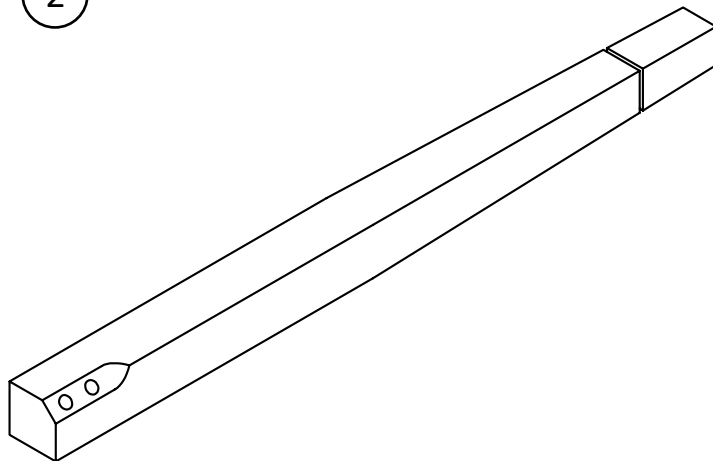
Not actual size

1



x1
T7666872010UD
PRE-ASSEMBLE BODY

2



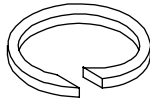
x4
T7666872020UD
LEG

Part List

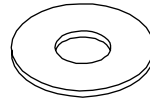
Not Actual Size



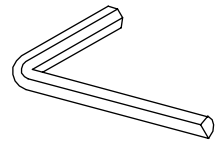
x8
TUD0023
JCBC Screw
6 X 70



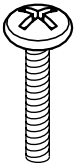
x8
TUD0041
SPRING WASHER



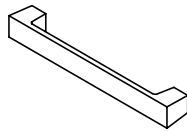
x8
TUD0042
FLAT WASHER



x1
TUD0026
ALLEN KEY
M4

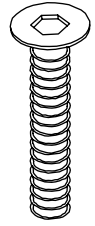


x4
TUD0033
PH SCREW
M4 X 20

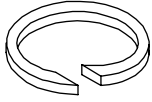


x2
TUD0044
RECTANGLE HANDLE
(GOLD)

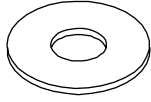
Step 1



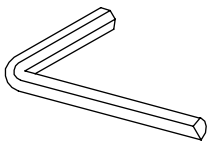
x8
TUD0023



x8
TUD0041

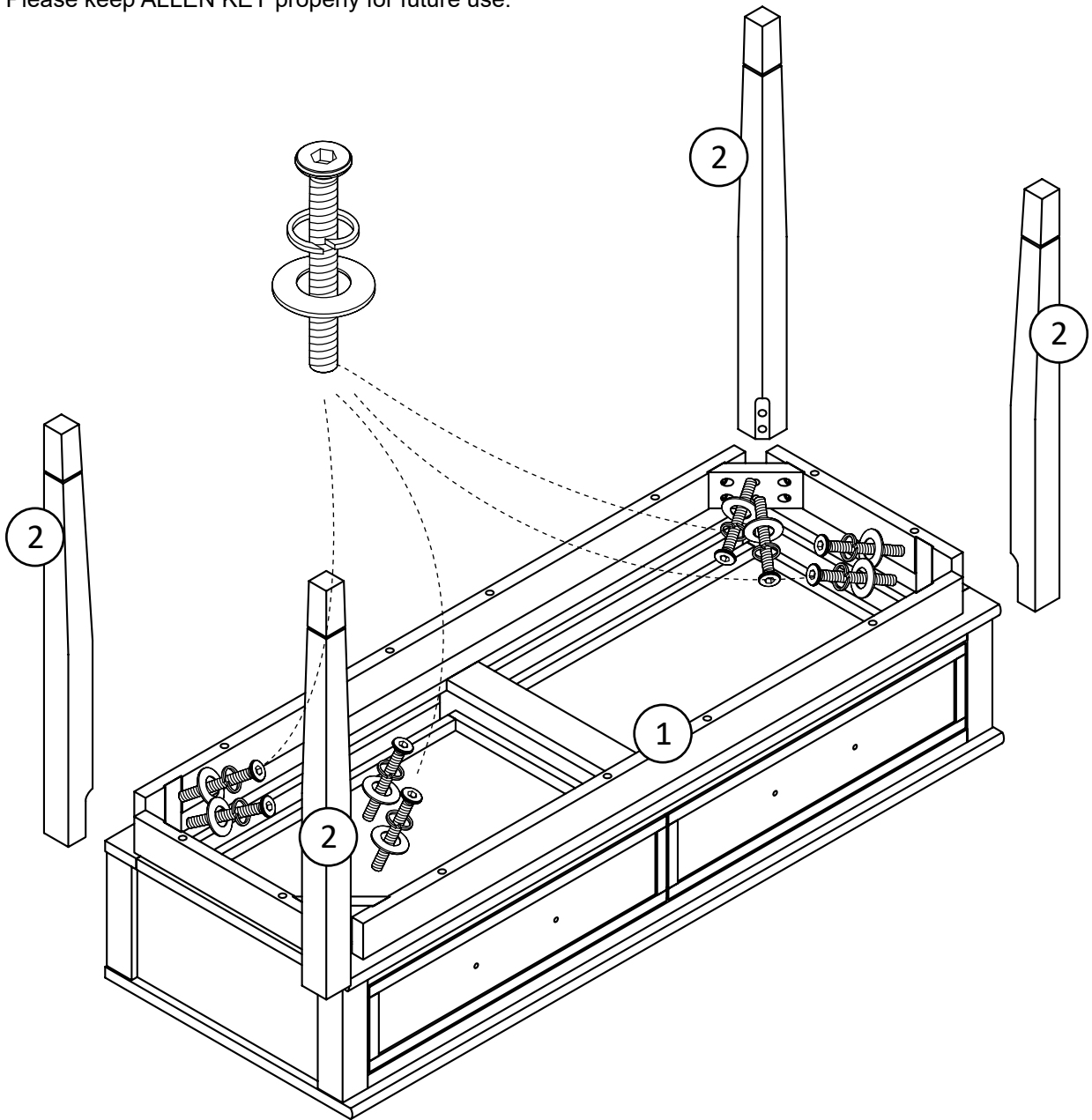


x8
TUD0042

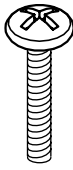
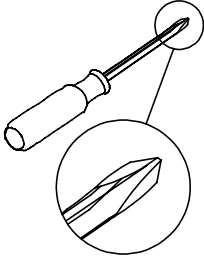


x1
TUD0026

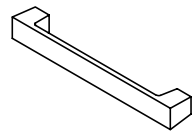
Fix the leg by attach bolt & washer as shown. Please ensure to fully tighten. Please keep ALLEN KEY properly for future use.



Step 2

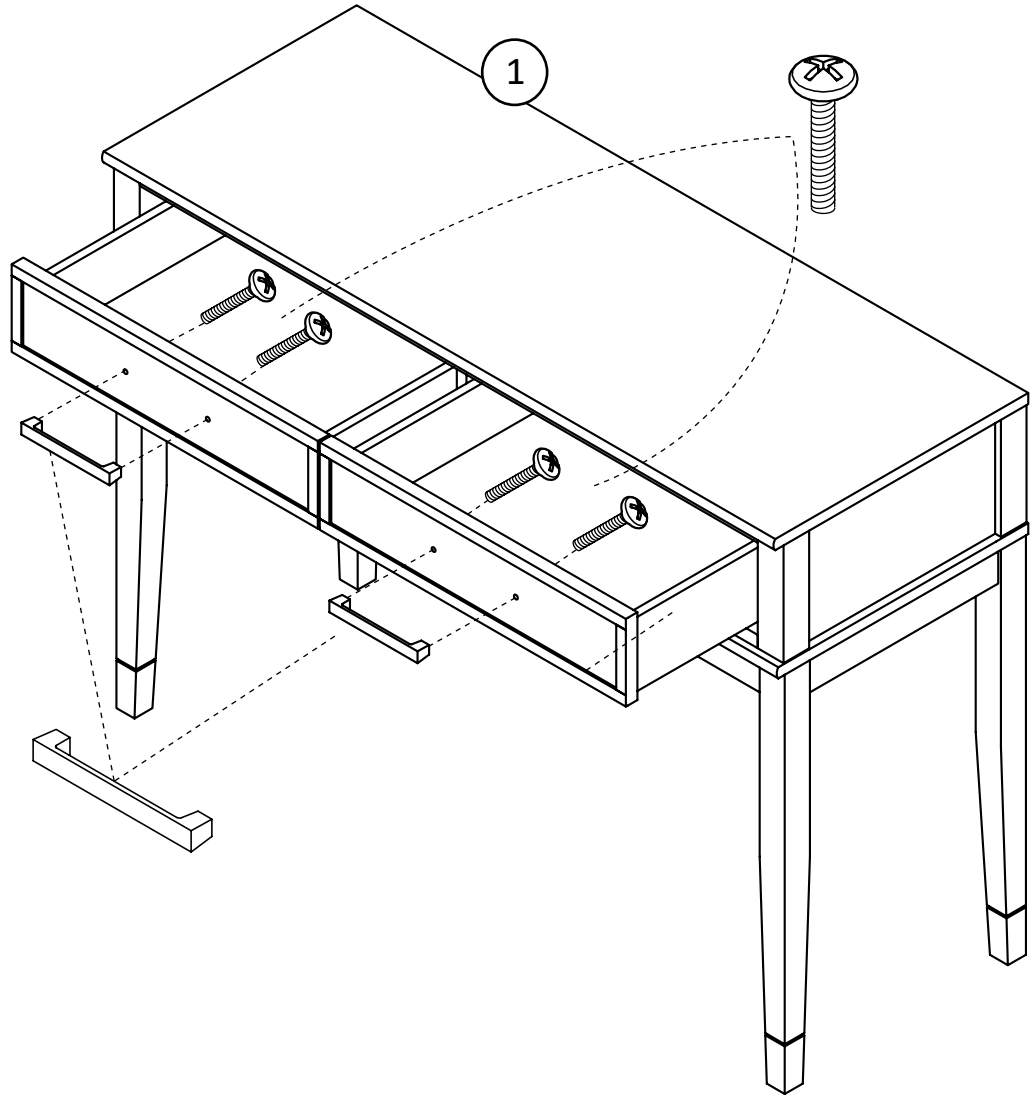


x4
TUD0033



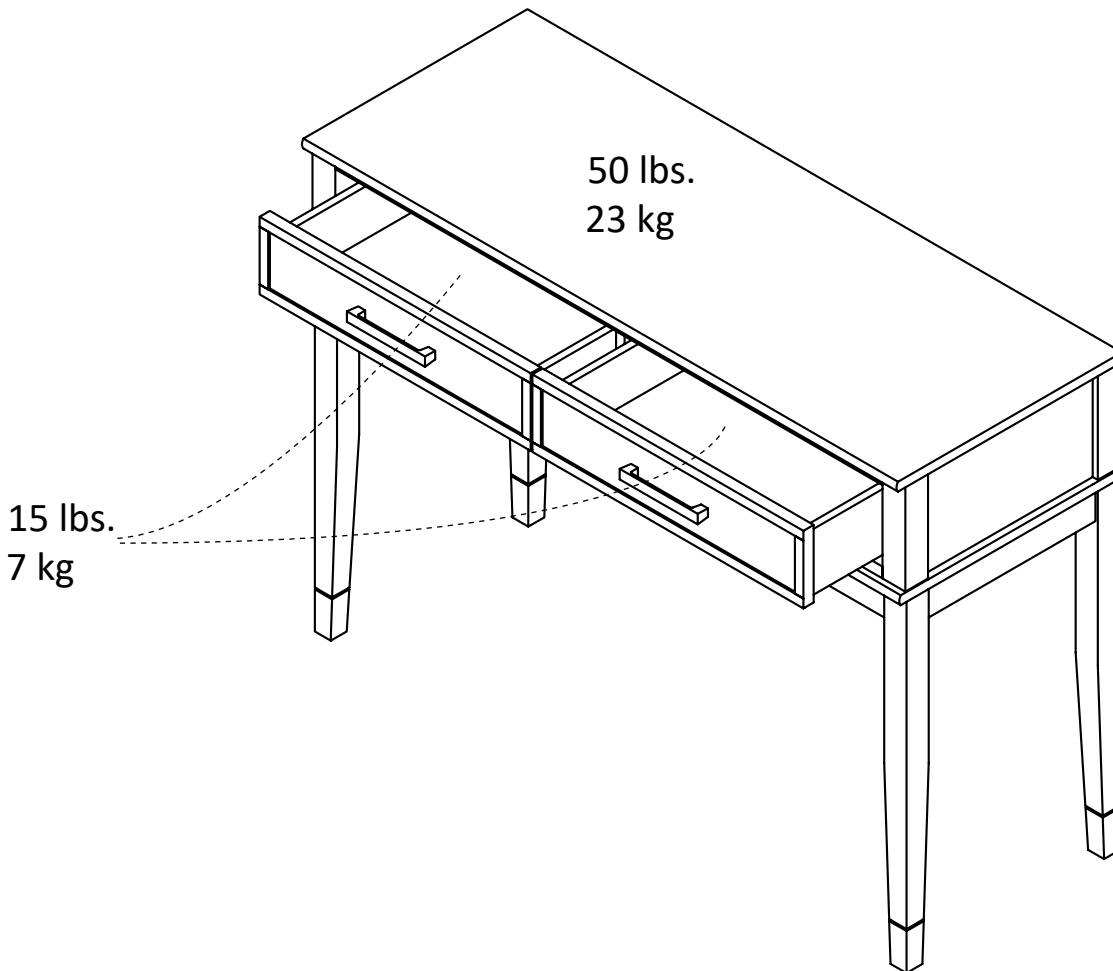
x2
TUD0044

Carefully turn over the unit. Open the drawer to attach the handles.



Maximum Loads

This unit has been designed to support the maximum loads shown. Exceeding these load limits could cause sagging, instability, product collapse, and/or serious injury.



Warning: Risk of serious injury to person - do not place a television on this furniture. This furniture is not approved for use with a television.