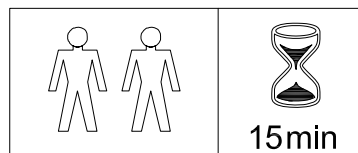
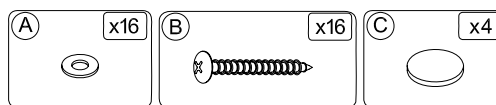
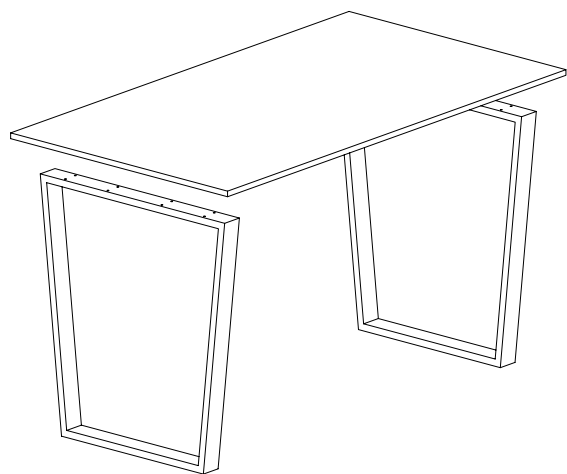


# TXTB2/TXTB3

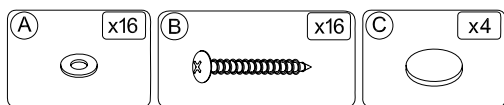
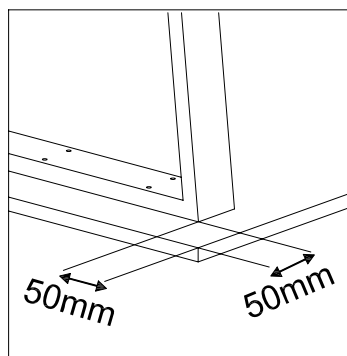
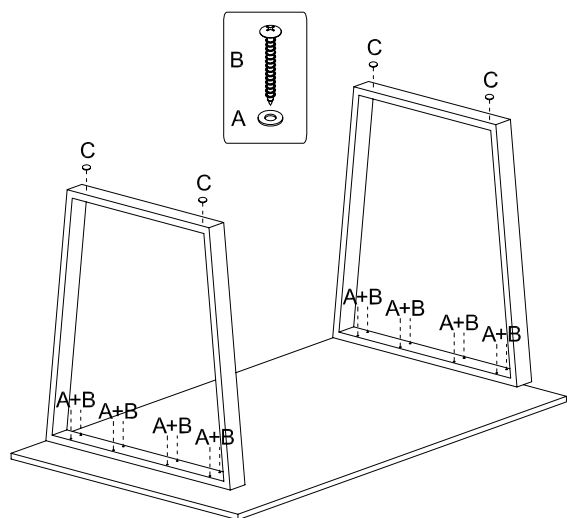


1

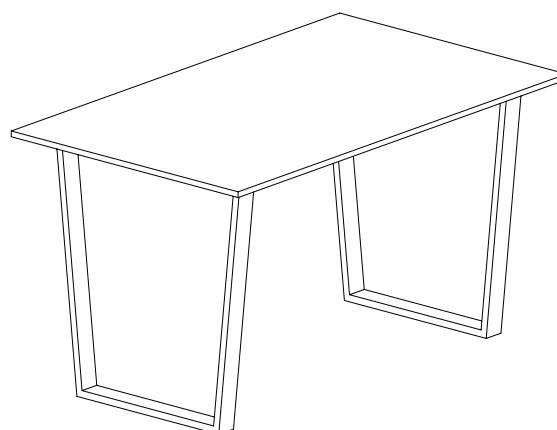
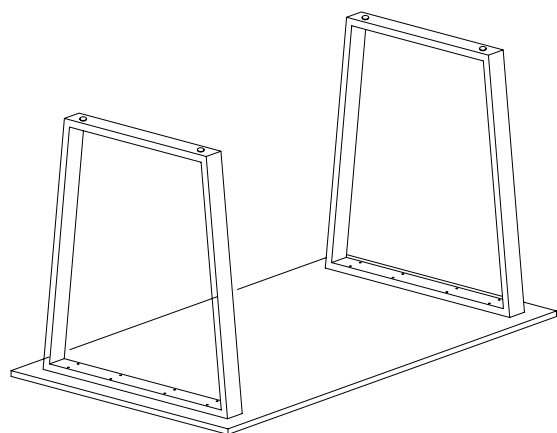


Build your furniture on a soft clean cover to stop components from getting marked during assembly.

2



3



Lift furniture, do not drag across floor.