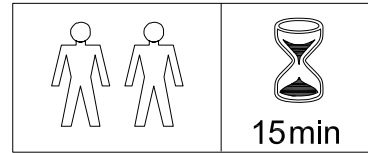
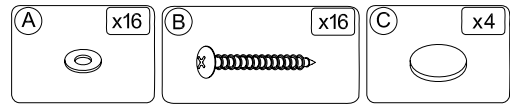
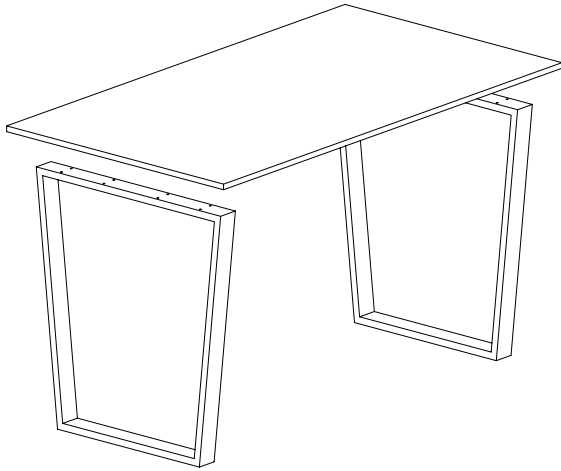


# TXTB2/TXTB3

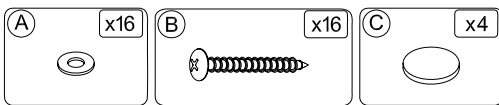
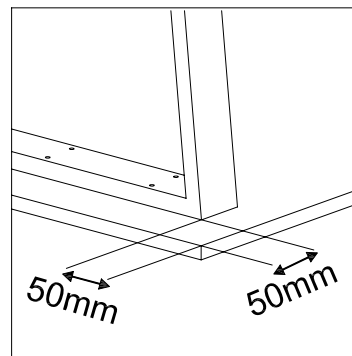
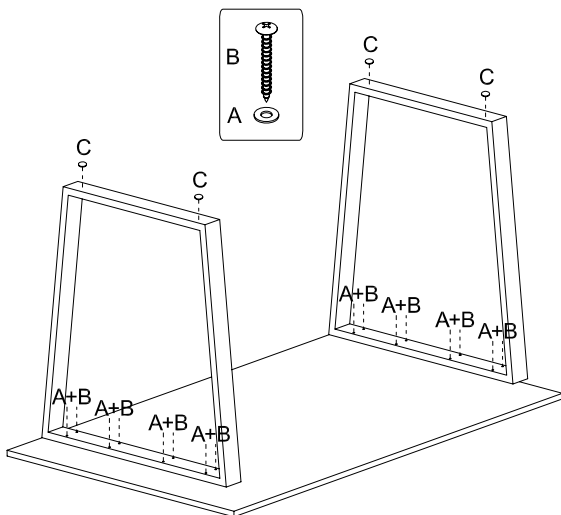


①

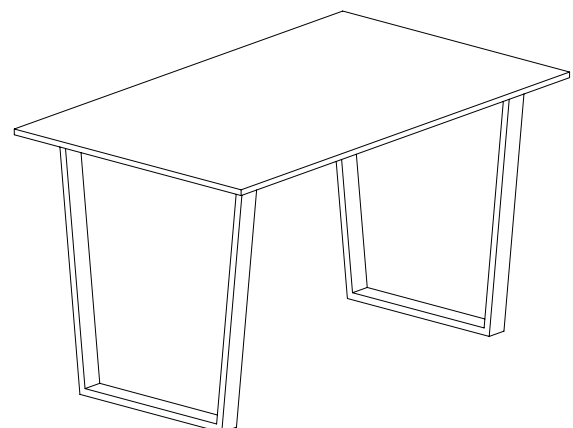
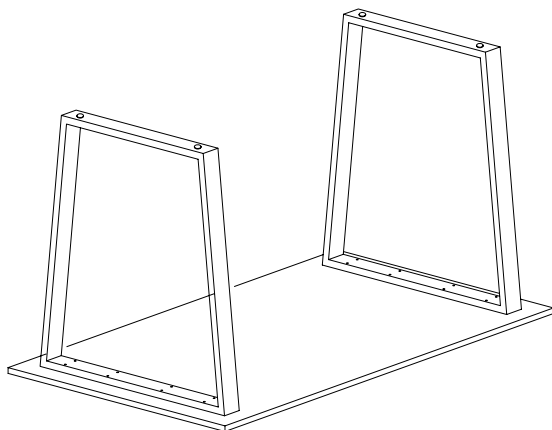


Build your furniture on a soft clean cover to stop components from getting marked during assembly.

②



③



Lift furniture, do not drag across floor.