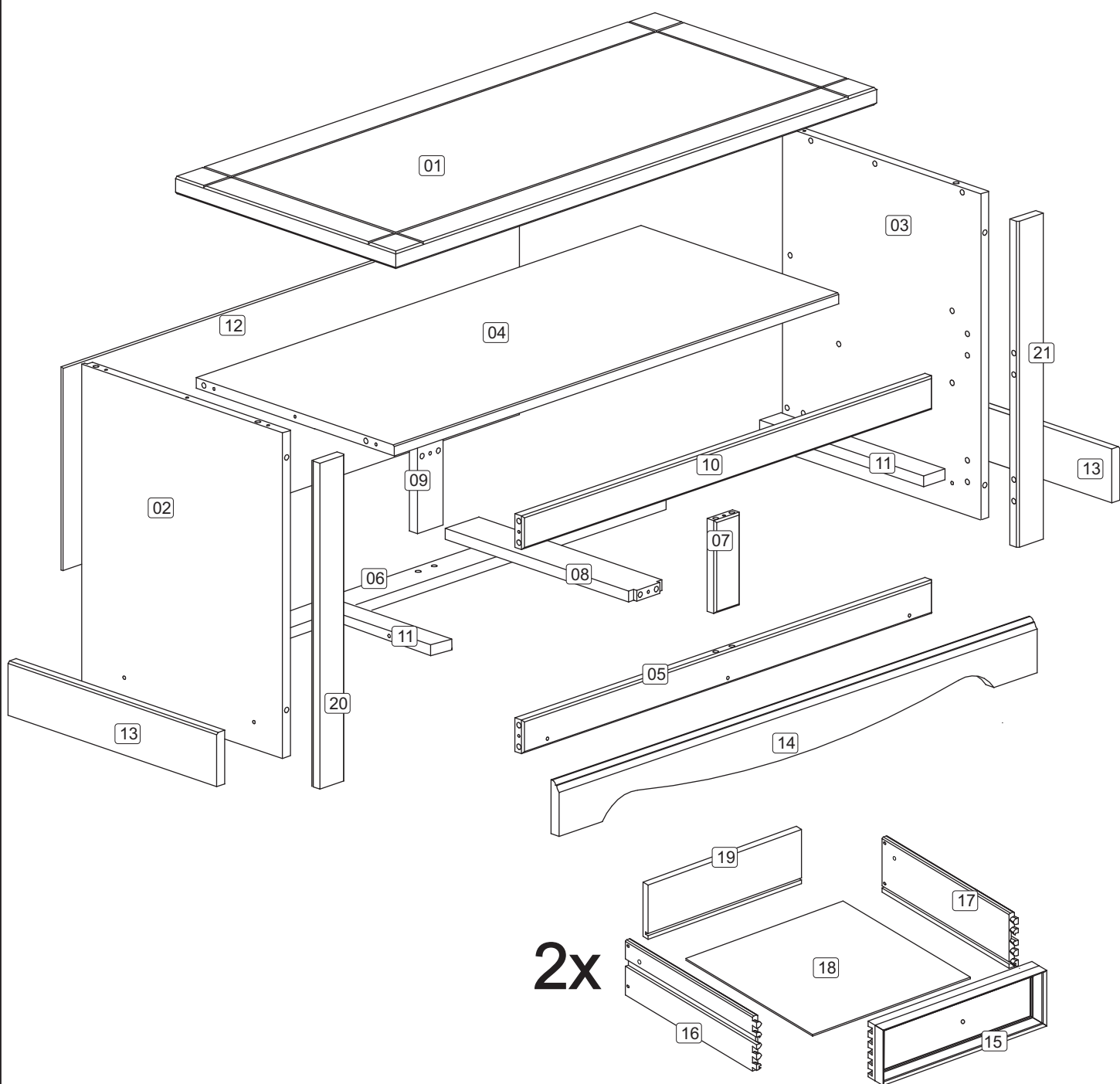
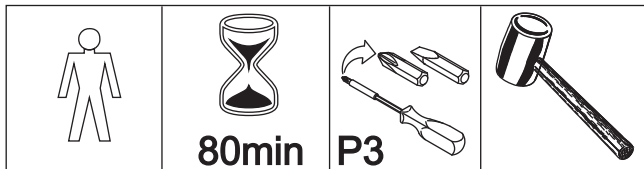


# CRW710





# CRW710



Thank you for choosing this furniture.

**BEFORE YOU START ASSEMBLY** please store the carton at room temperature for 48 hours or more so the contents can acclimatise.

**PLEASE RETAIN ALL PACKING UNTIL YOU HAVE COMPLETED ASSEMBLY.**

### Information about your Pine furniture.

Our pine furniture ranges have been carefully crafted from solid wood and wood fibre based composite boards. Each piece of pine has unique characteristics such as knots, variances in shading and graining. These are part of the natural character of the furniture itself.

### Caring for your Pine furniture.

Extreme temperature can cause slight movements in the wood itself so please avoid placing your furniture close to radiators or other direct sources of heat. Humidity should also be avoided.

Please avoid exposing your furniture to continued bright sunlight as it can affect the colour.

Any fluid spills should be removed as quickly as possible.

Always lift your furniture when moving as dragging may cause damage to your furniture or flooring.

### After care.

Wipe the surfaces with a dry cloth and an occasional use of a normal household furniture polish. For the models with drawers, we also recommend you use household spray polish occasionally on drawer grooves and runners as this will aid use. Please do not use detergents or chemicals on your furniture.

## PARTS LIST

<b>A</b> x44 25mm Ø8	<b>B</b> x37 28mm Ø4,5 P3 GOLD	<b>C</b> x08 30mm Ø3,5 P3 GOLD
<b>D</b> x01 glue 10g	<b>Warning!</b> : Keep out of reach from children, Keep away from eyes, if product gets into eye rinse thoroughly and repeatedly with water. Do not ingest, if swallowed seek medical advise from doctor.	<b>E</b> x02 OLD GOLD
<b>G</b> x02 3/16 x 3/8	<b>H</b> x06 25mm Ø3,5 P3 SILVER	<b>F</b> x08 OLD GOLD
<b>J</b> x12	<b>Z</b> x22 8x8	
<b>X</b> x01 RED = PAINT	<b>Warning!</b> The RED sachet contains touch up paint for your furniture. Please retain for use should you require it at any point in the future. Application is best with a small paint brush which can be cleaned in water after use. Keep out of reach from children, keep away from eyes, if product gets into eye rinse thoroughly and repeatedly with water. Do not ingest, if swallowed seek medical advise from doctor.	

## BEFORE YOU START ASSEMBLY

Please check that you have all the correct parts and fittings as detailed on the assembly instructions.

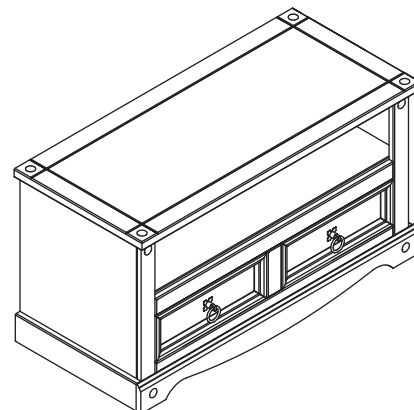
### FOR DAMAGED/REPLACEMENT PARTS

Please visit

[www.coreproducts.co.uk/parts](http://www.coreproducts.co.uk/parts)

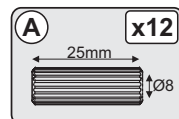
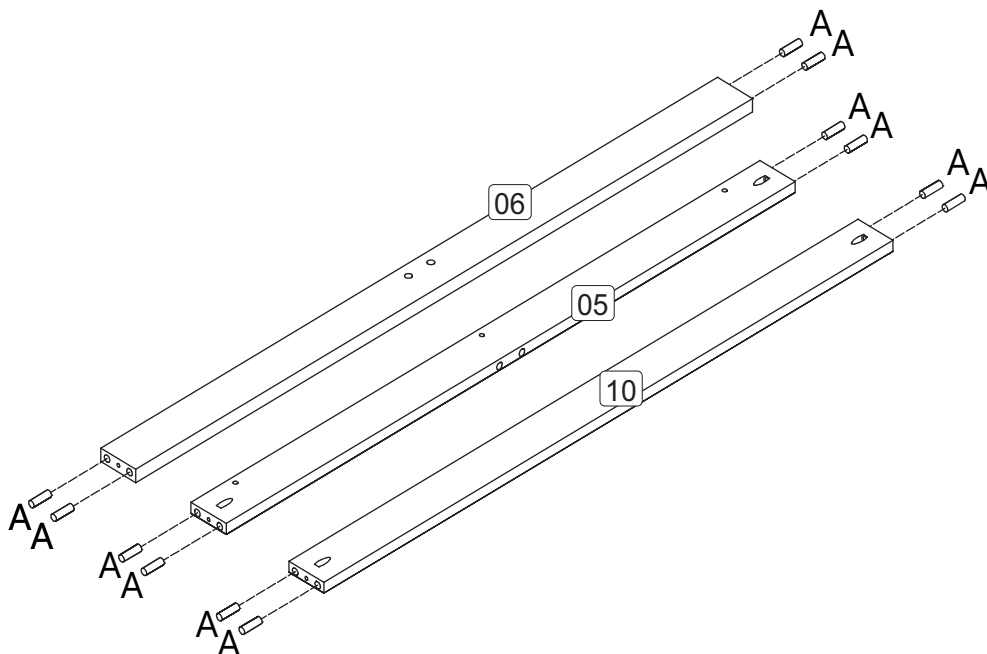
Batch  
Number

2022-0057

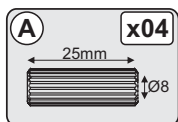
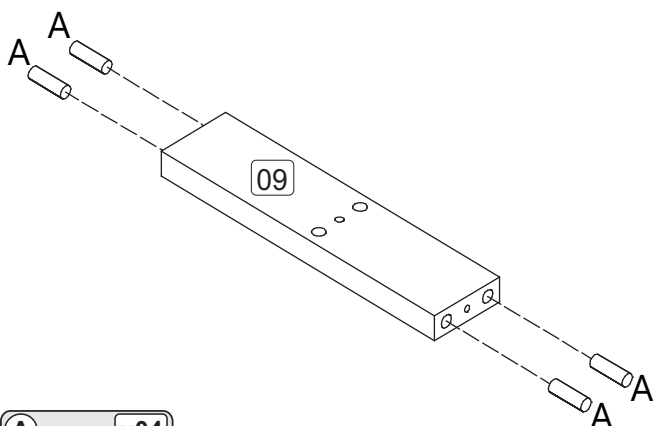


**PLEASE RETAIN THIS LEAFLET ALONG WITH YOUR DELIVERY  
NOTE/RECEIPT FOR FUTURE REFERENCE**

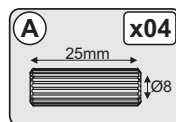
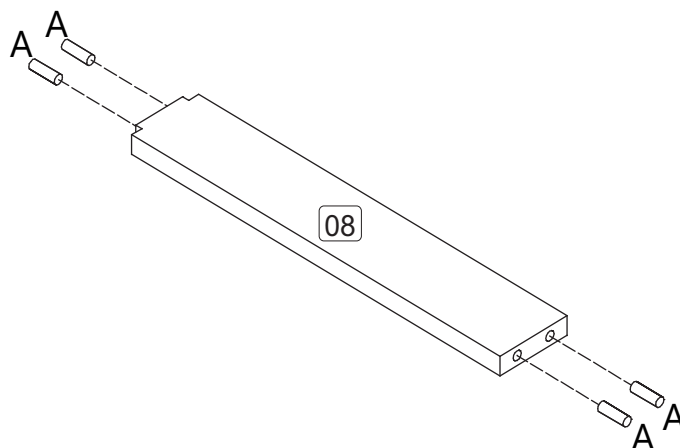
01



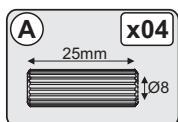
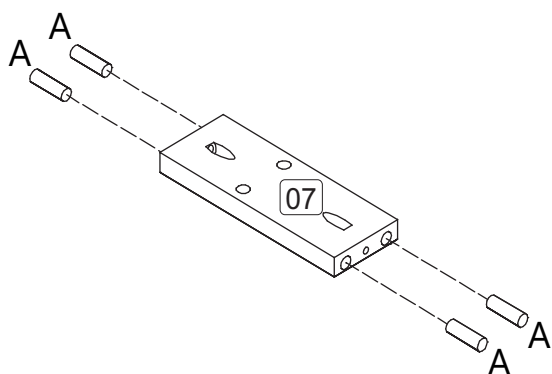
02



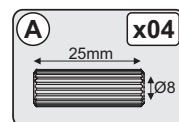
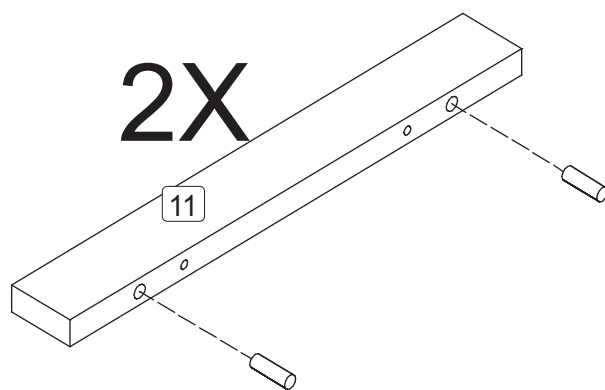
03



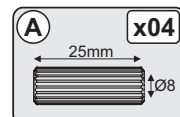
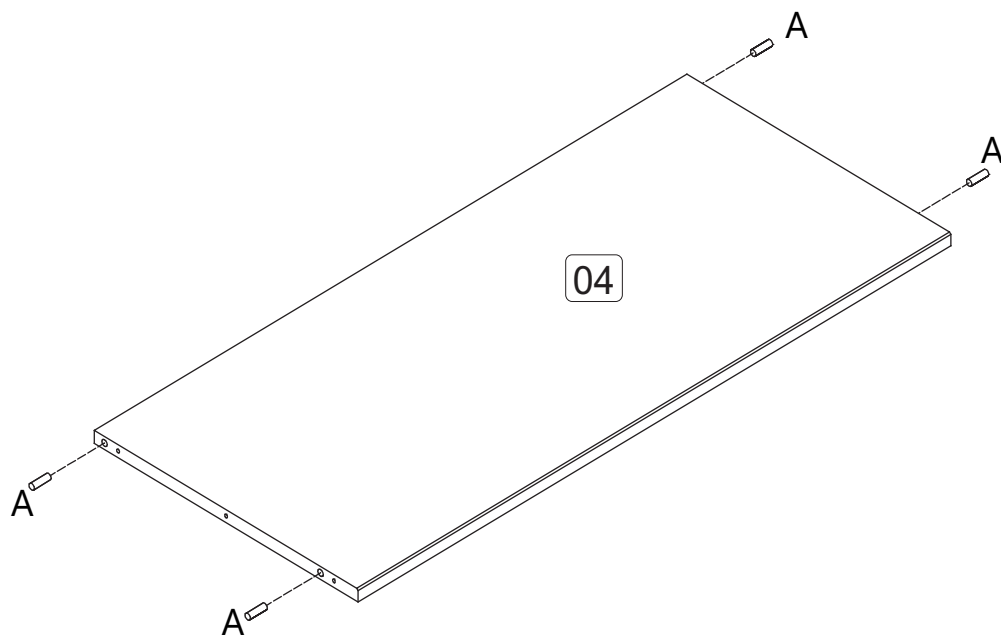
04



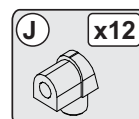
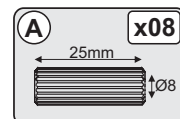
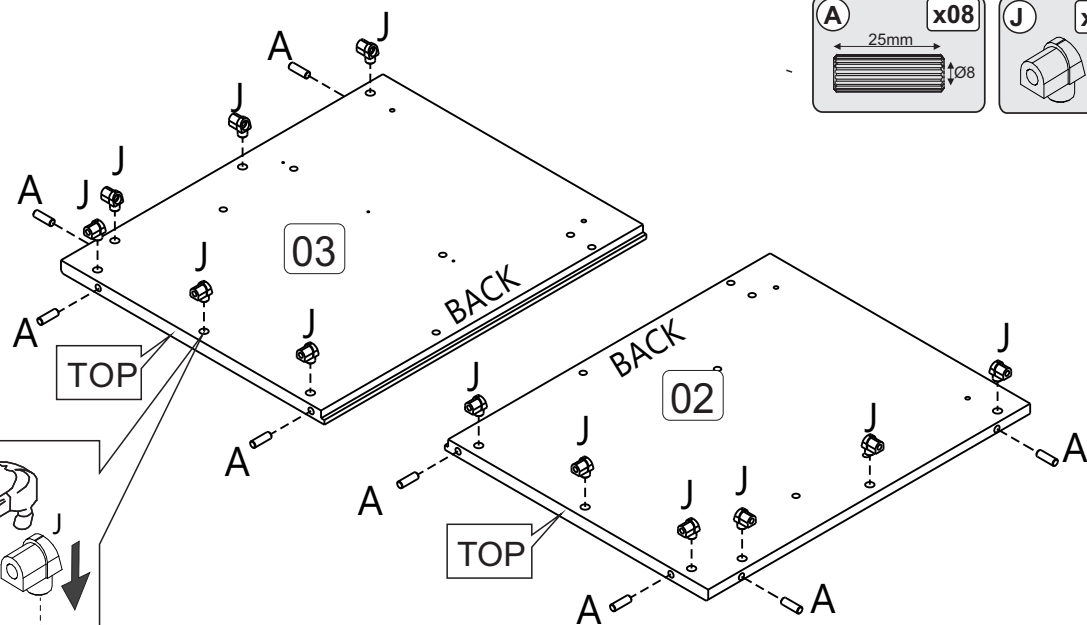
05



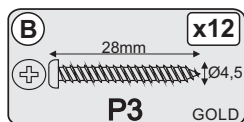
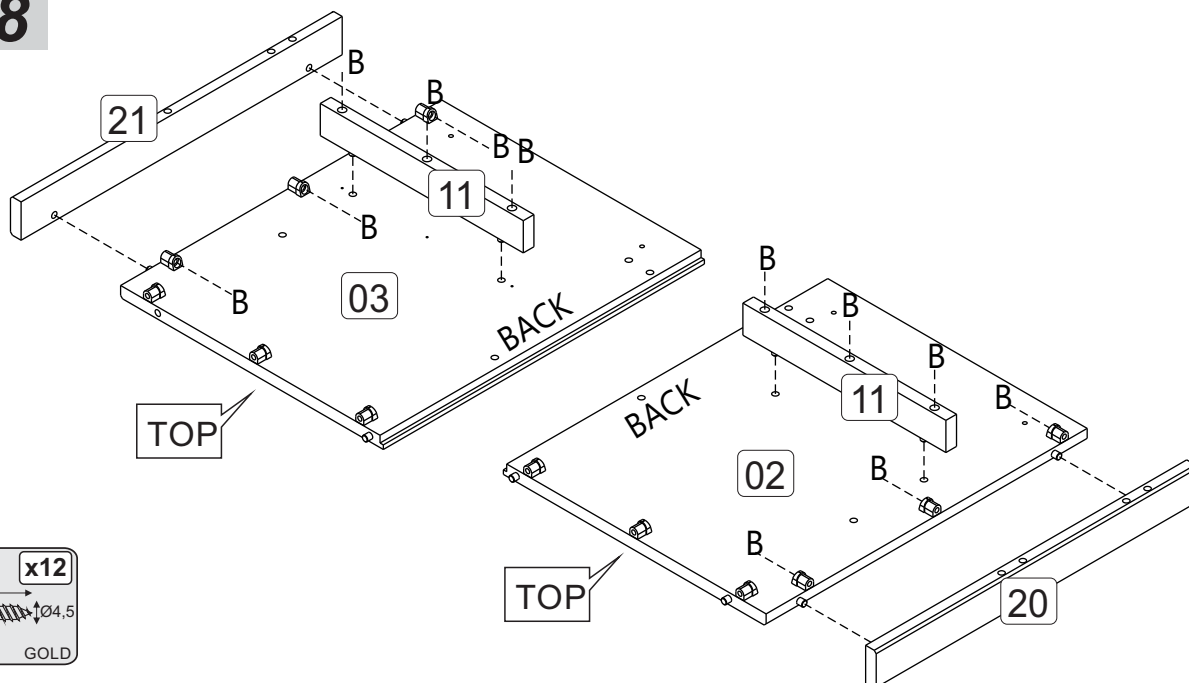
06



07

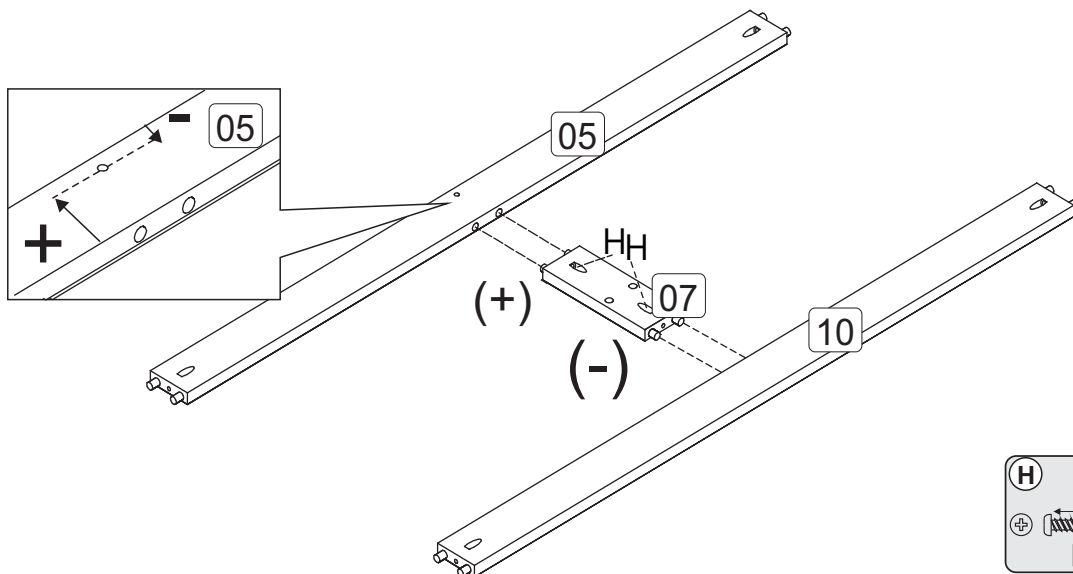


08



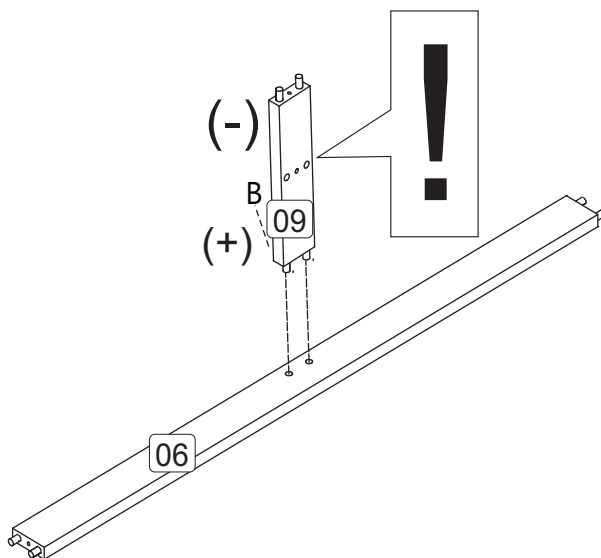
09

Please observe the “+” and “-” signs marked on the component (s) indicated in this step, showing which direction they should be positioned for assembly.



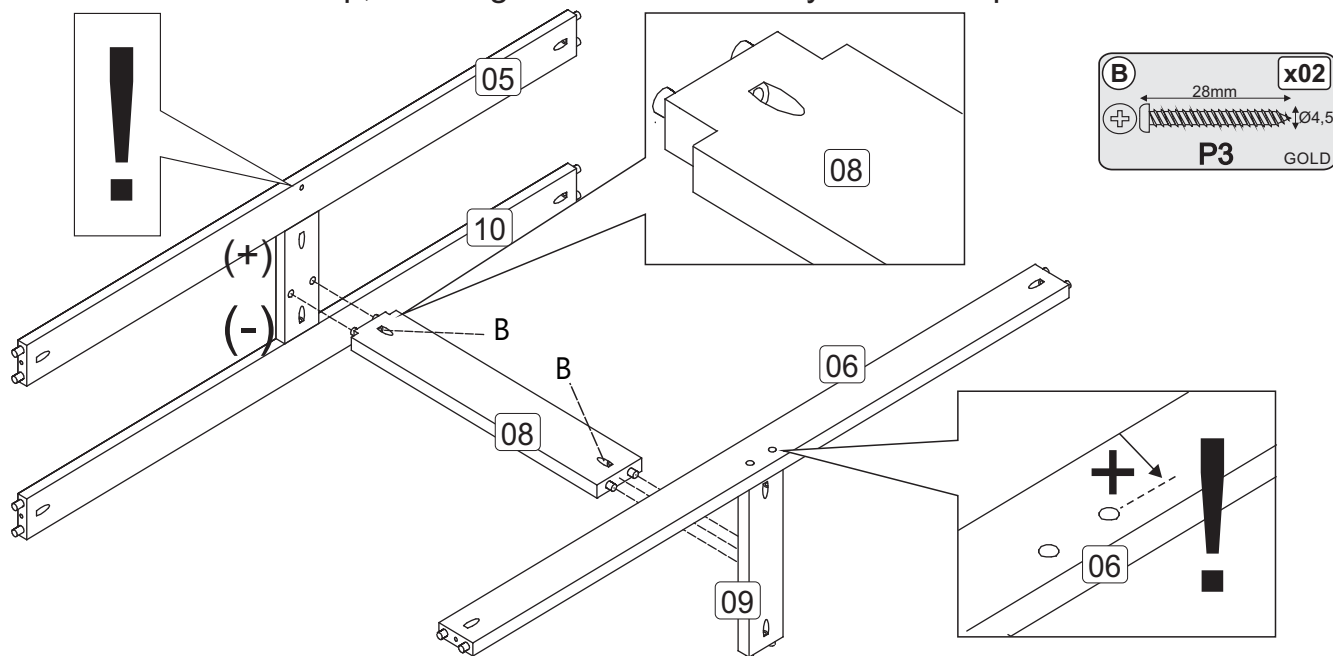
10

Please observe the “+” and “-” signs marked on the component (s) indicated in this step, showing which direction they should be positioned for assembly.

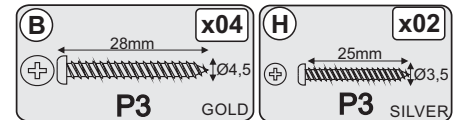
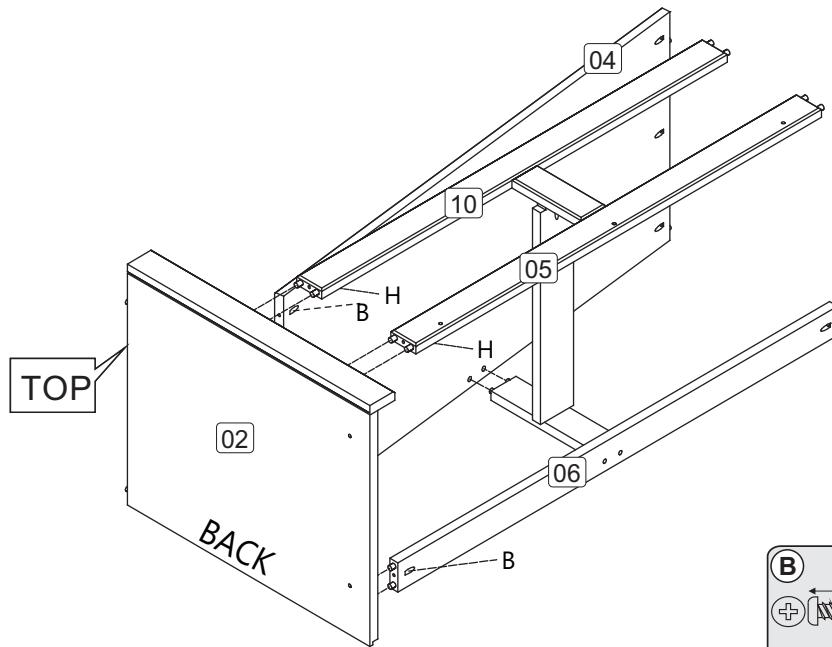


11

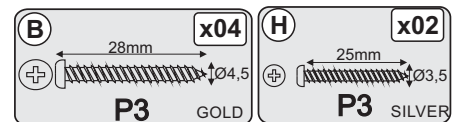
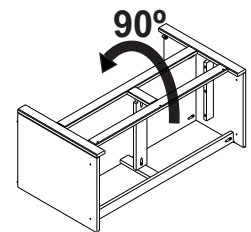
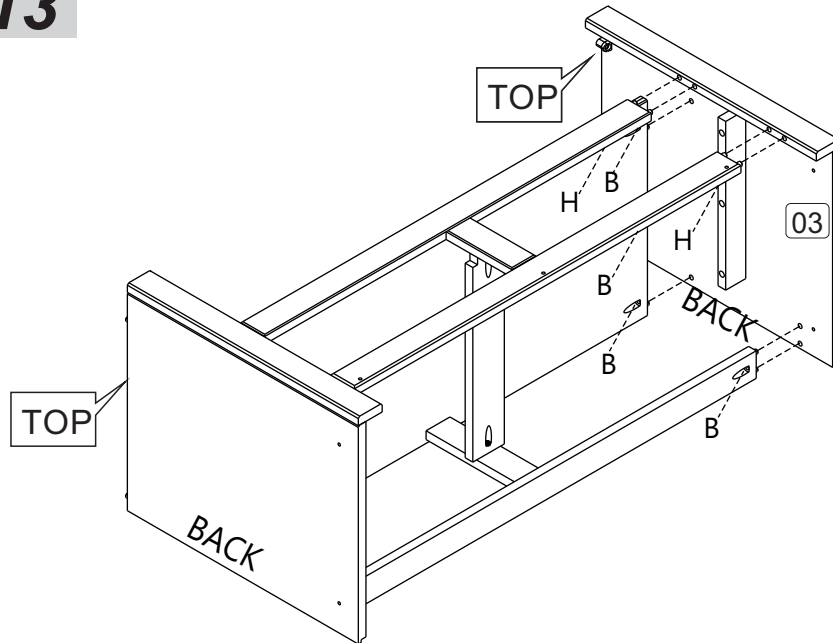
Please observe the “+” and “-” signs marked on the component (s) indicated in this step, showing which direction they should be positioned for assembly.



# 12

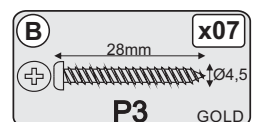
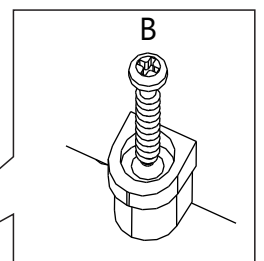
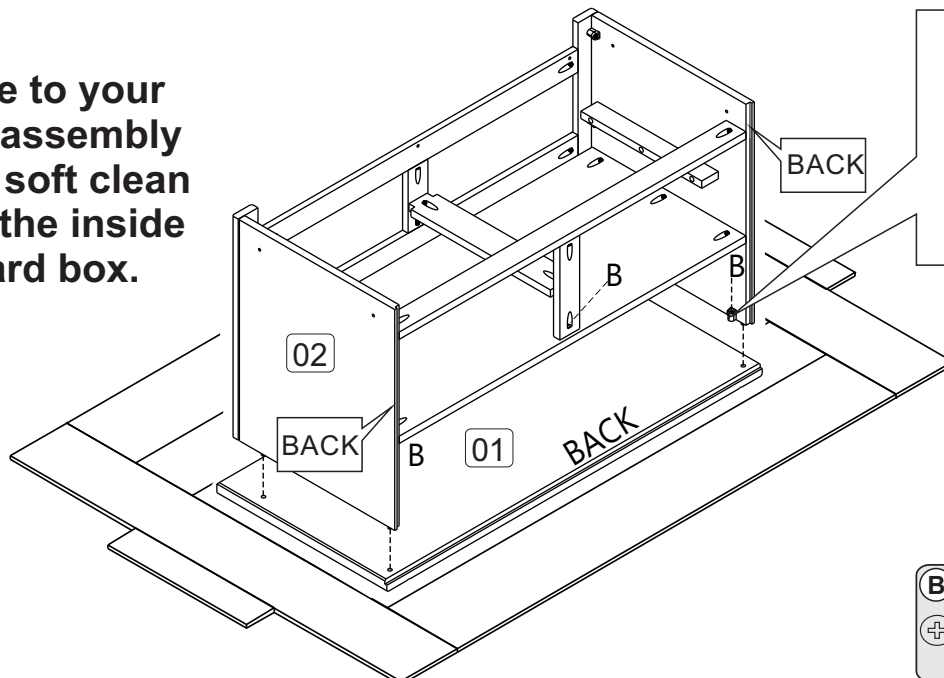


# 13

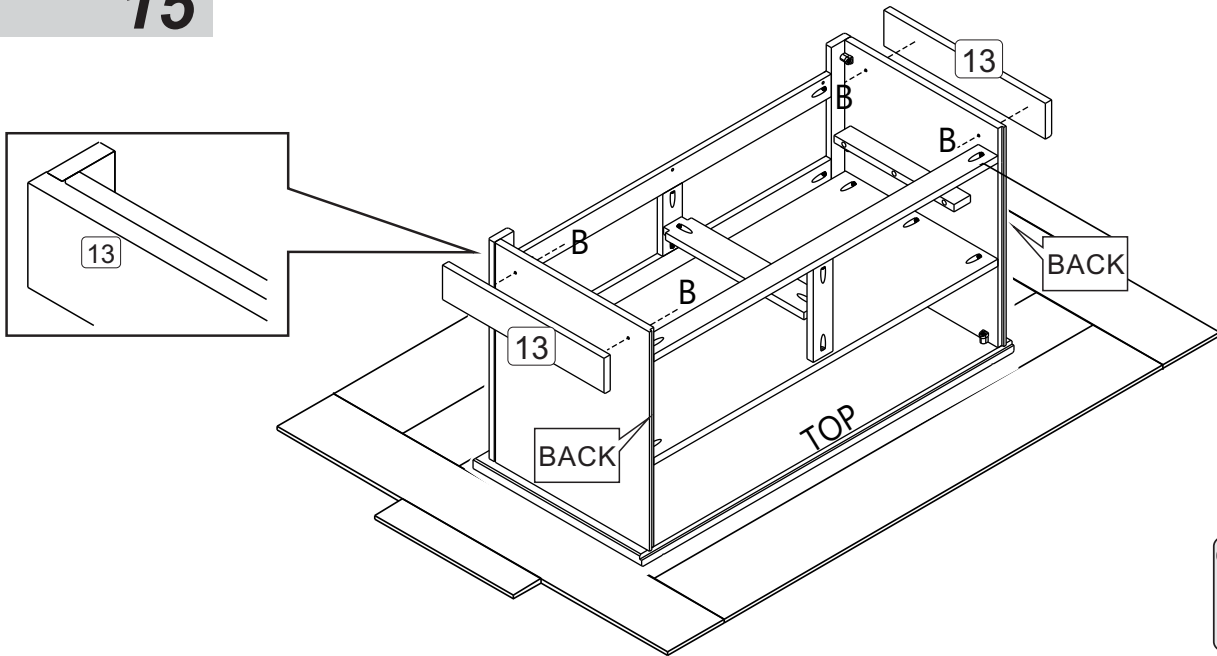


# 14

To avoid damage to your furniture during assembly please build on a soft clean surface such as the inside of the cardboard box.

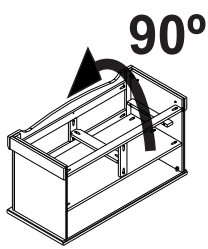
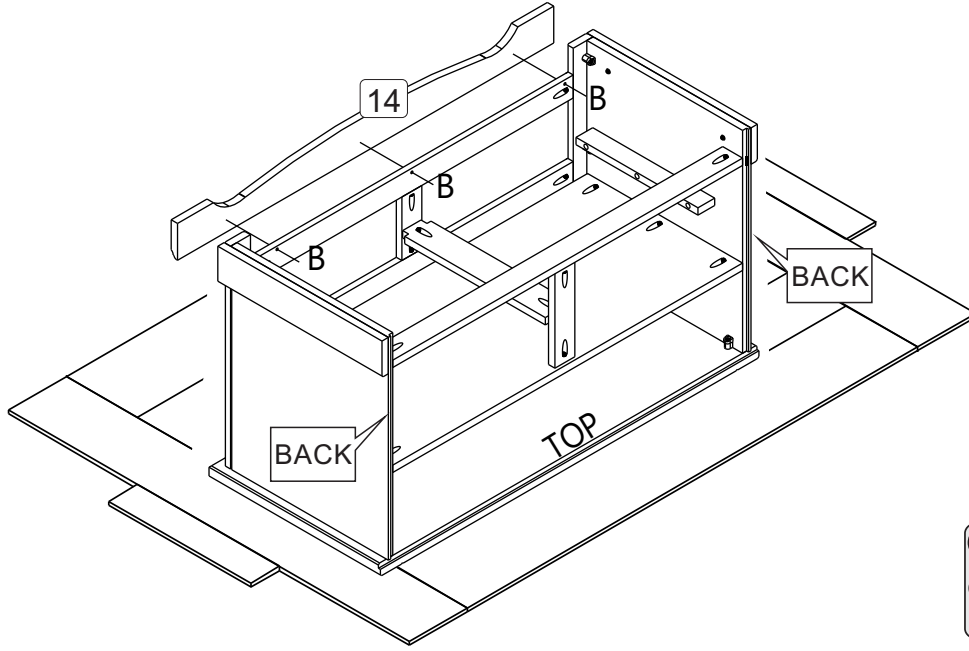


# 15



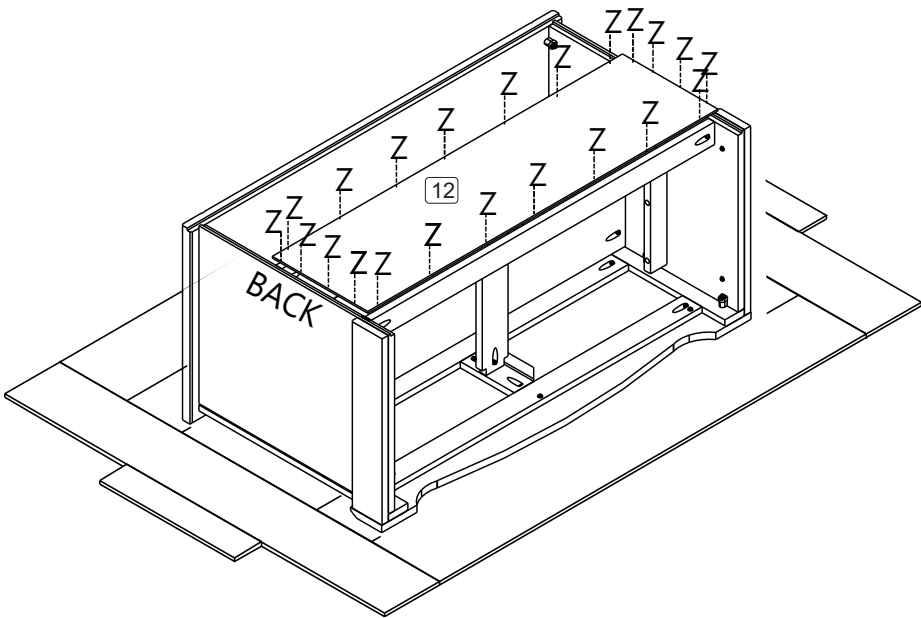
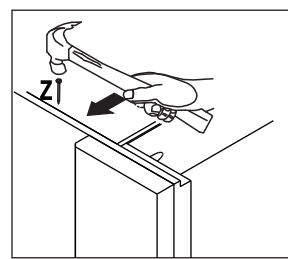
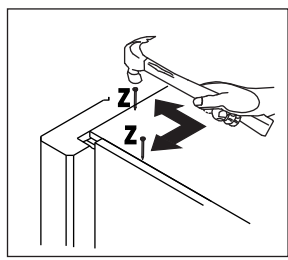
**(B)** **x04**  
28mm  
**(+)**  $\uparrow \varnothing 4,5$   
**P3** GOLD

# 16

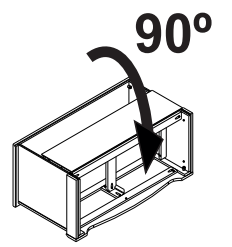


**(B)** **x03**  
28mm  
**(+)**  $\uparrow \varnothing 4,5$   
**P3** GOLD

# 17



**(Z)** **x22**  
8x8

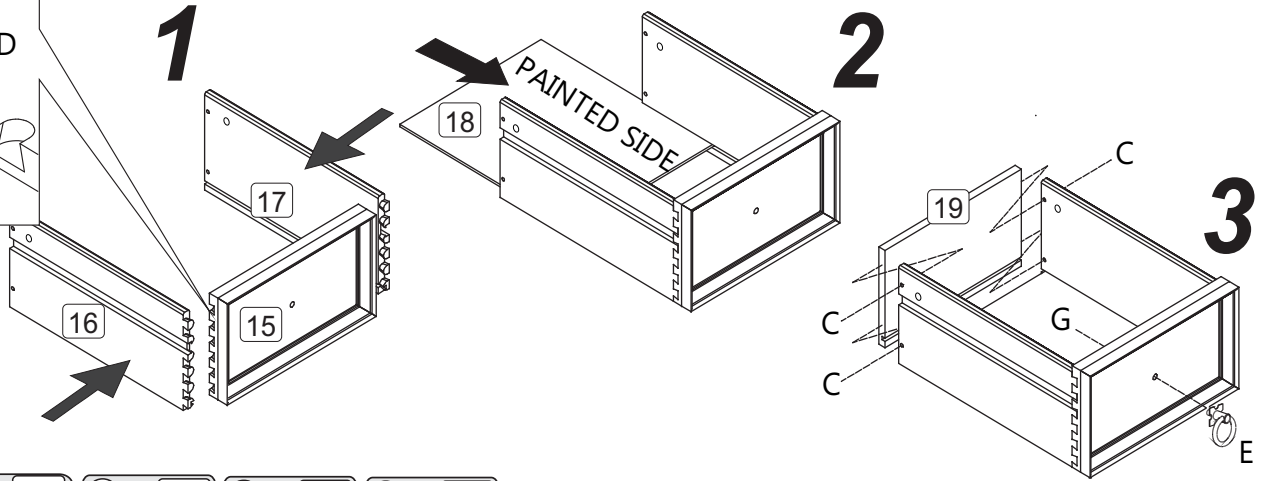
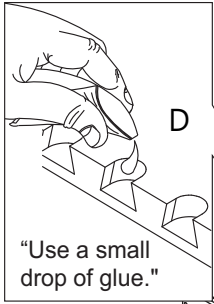




18

2x

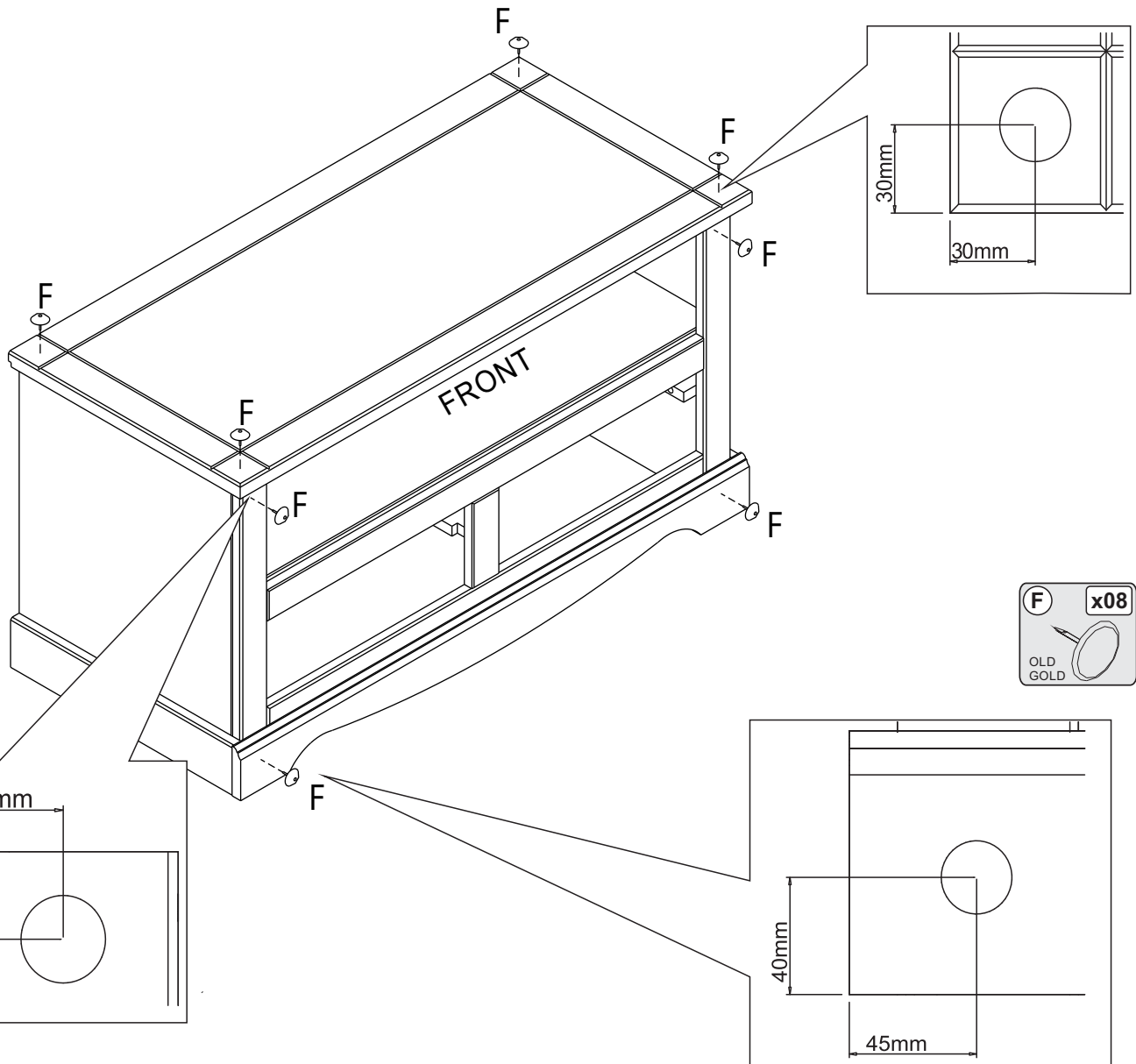
"Join drawer sides to drawer fronts with caution not to damage dovetail joints. Tap gently up and down the drawer side until fully inserted into drawer front."



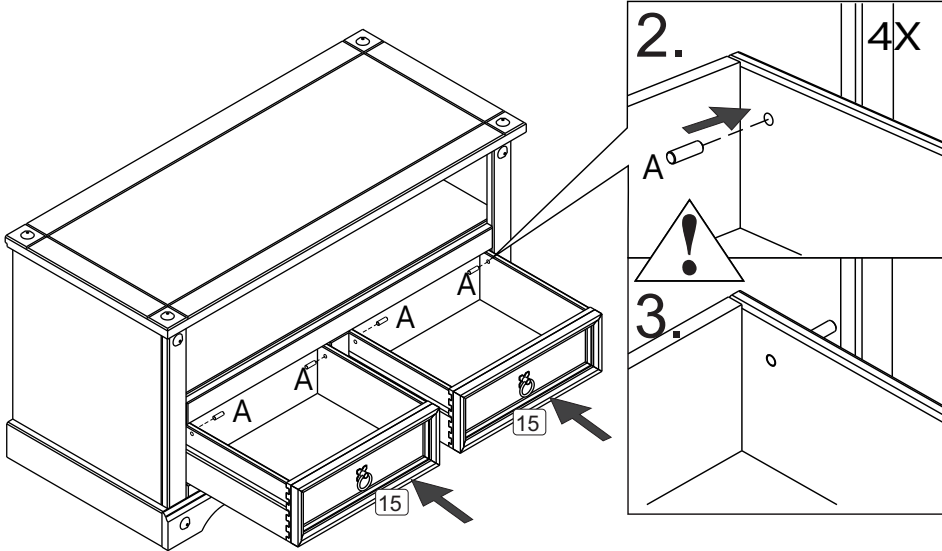
<b>C</b>	<b>x08</b>	<b>D</b>	<b>x01</b>	<b>E</b>	<b>x02</b>	<b>G</b>	<b>x02</b>
	30mm P3 GOLD		glue 10g GOLD		OLD GOLD		3/16 x 3/8

19

### DECORATIVE METAL STUDS (optional)



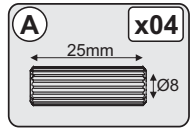
Fixing drawer safety stops  
 1; Insert drawers into frame by approximately 50mm.



2; Push wooden dowels in through the pre-drilled holes close to the back of the drawer sides until they are level with the inside edge of the drawer sides.

3; Check the position of the drawer stops are correct by opening and closing the drawers.

**IMPORTANT NOTICE**  
 Please avoid opening all drawers simultaneously as this could cause your furniture to fall forwards. Where there is a risk of this occurring, especially in environments with children or uneven floors we recommend that this item of furniture is attached to your wall using appropriate fixings (supplied).



**X** **x01** The RED sachet contains touch up paint for your furniture. Please retain for use should you require it at any point in the future. Application is best with a small paint brush which can be cleaned in water after use.  
 RED = PAINT