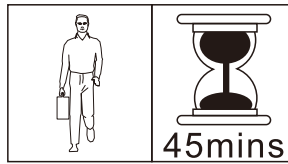
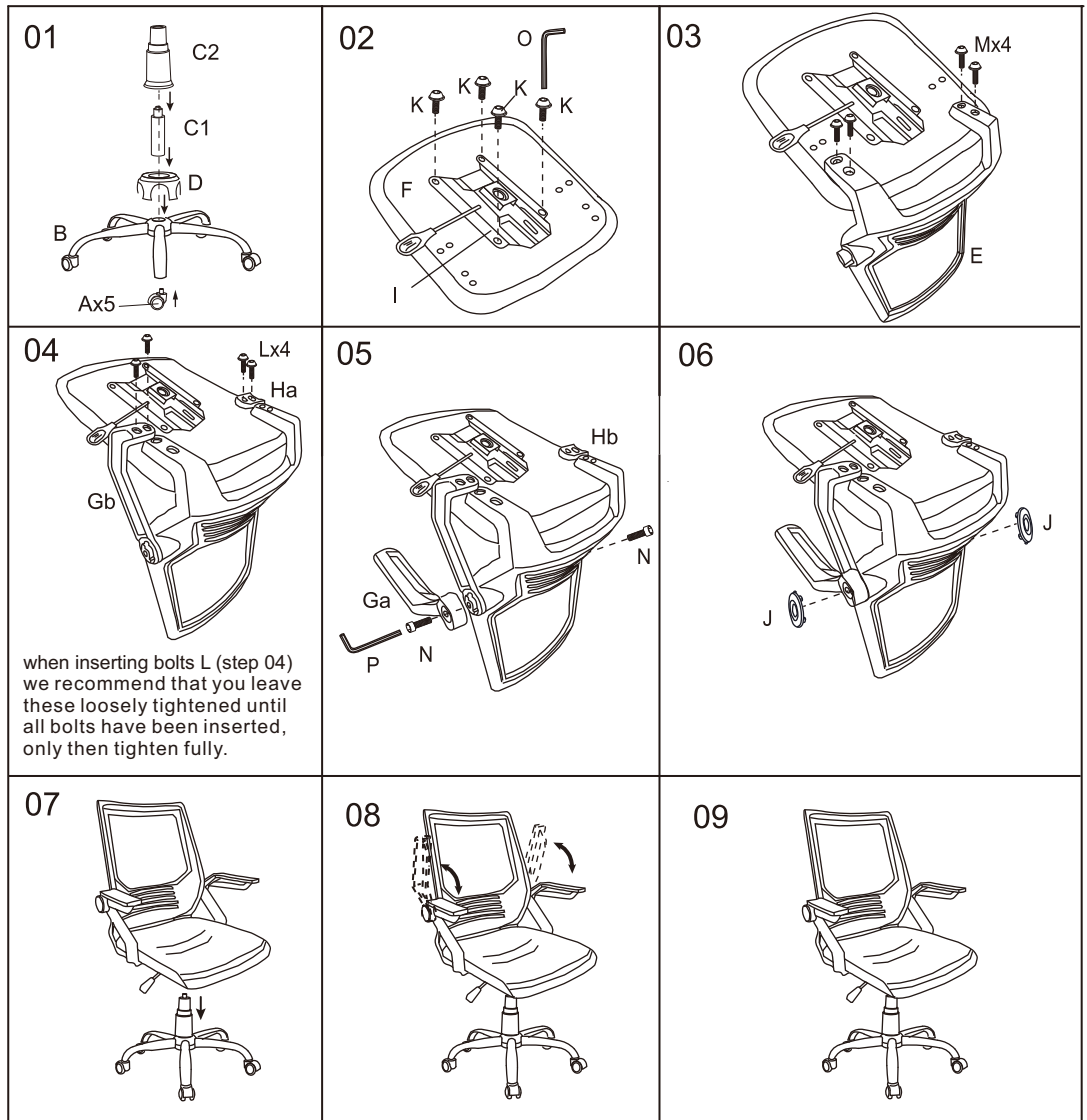


LFCH28-BK



PLEASE RETAIN ALL PACKING UNTIL YOU HAVE COMPLETED ASSEMBLY.

Ax5 	Bx1
C1x1 	Dx1
C2x1 	Fx1
Ex1 	Gx1
Gx1 	Hx1
Ix1 	Jx2
Kx4 	Lx4
Mx4 	Nx2
Ox1 	Px1



Notes for installation: Place **ALL** screws into the appropriate position and then tighten. **DO NOT** place and tighten one by one. If the chair comes with plastic caps, place over screws to cover holes.

PREVENTIVE MAINTENANCE AND WARNING

- ONLY FOR SEATING ONE PERSON AT A TIME
- DO NOT USE CHAIR AS STEP STOOL OR LADDER
- DO NOT USE CHAIR UNLESS ALL BOLTS AND SCREWS ARE TIGHT.
- AT LEAST EVERY SIX MONTHS CHECK ALL BOLTS AND SCREWS TO BE SURE THEY ARE TIGHT.
- IF ANY PARTS ARE MISSING, BROKEN, DAMAGED OR WORN, STOP USING THE PRODUCT UNTIL REPAIRS ARE MADE WITH FACTORY AUTHORISED PARTS.
- FAILURE TO FOLLOW THESE WARNINGS CAN RESULT IN SERIOUS INJURY

BEFORE YOU START ASSEMBLY

Please check that you have all the correct parts and fittings as detailed in the Parts List above.

In the unlikely event that you require to order spare parts please refer to your delivery note for details of how to order on our Parts Website.

www.coreproducts.co.uk/parts

BATCH NUMBER **GOLD7052**

For further advice you can telephone 01738 630555

PLEASE RETAIN THIS INSTRUCTION LEAFLET FOR FUTURE REFERENCE.