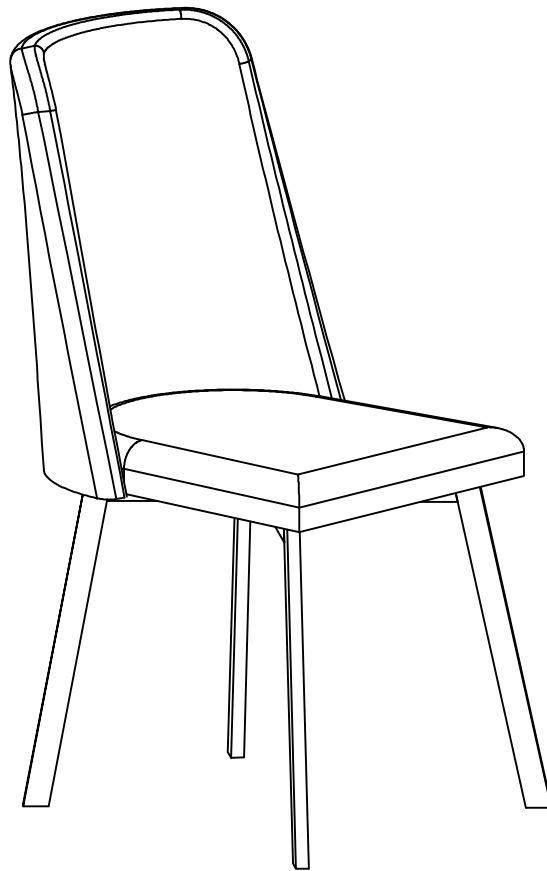


Assembly Instructions

STYLE 153



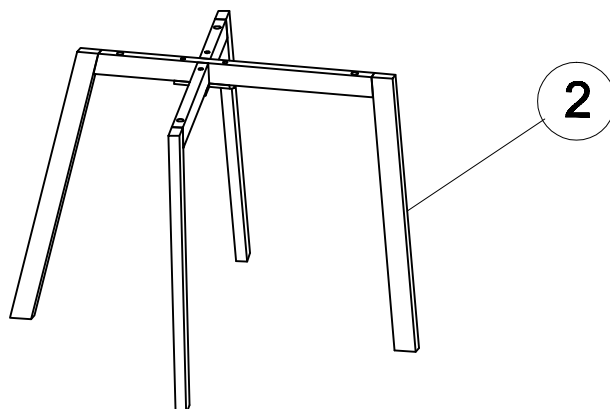
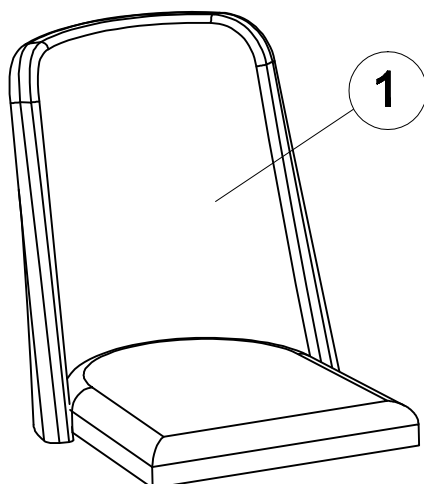
WARNING

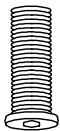

Do not fully tighten screws (leave slightly loose). When the item is fully assembled tighten the screws - but do not over tighten.

What you Need

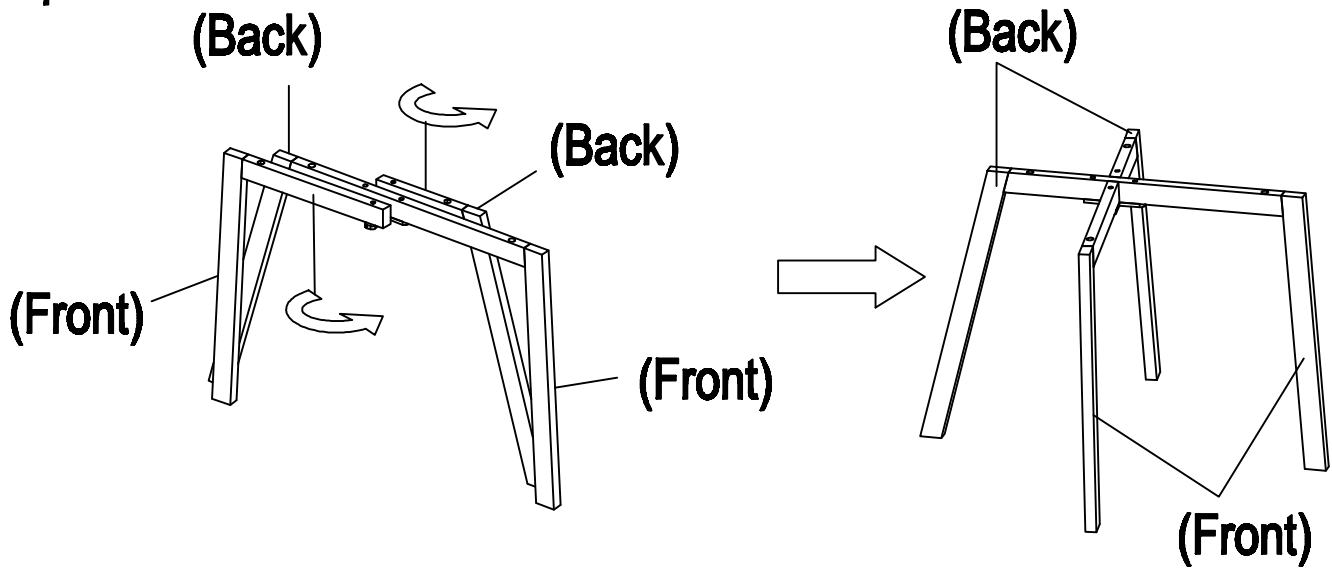


1 x Allen Key 4mm
(provided)





A	B
 <p data-bbox="624 1816 708 1877">4xBolts (M6*45)</p>	 <p data-bbox="756 1816 895 1877">4xWashers (Ø6*Ø16*1.2)</p>

Step 1



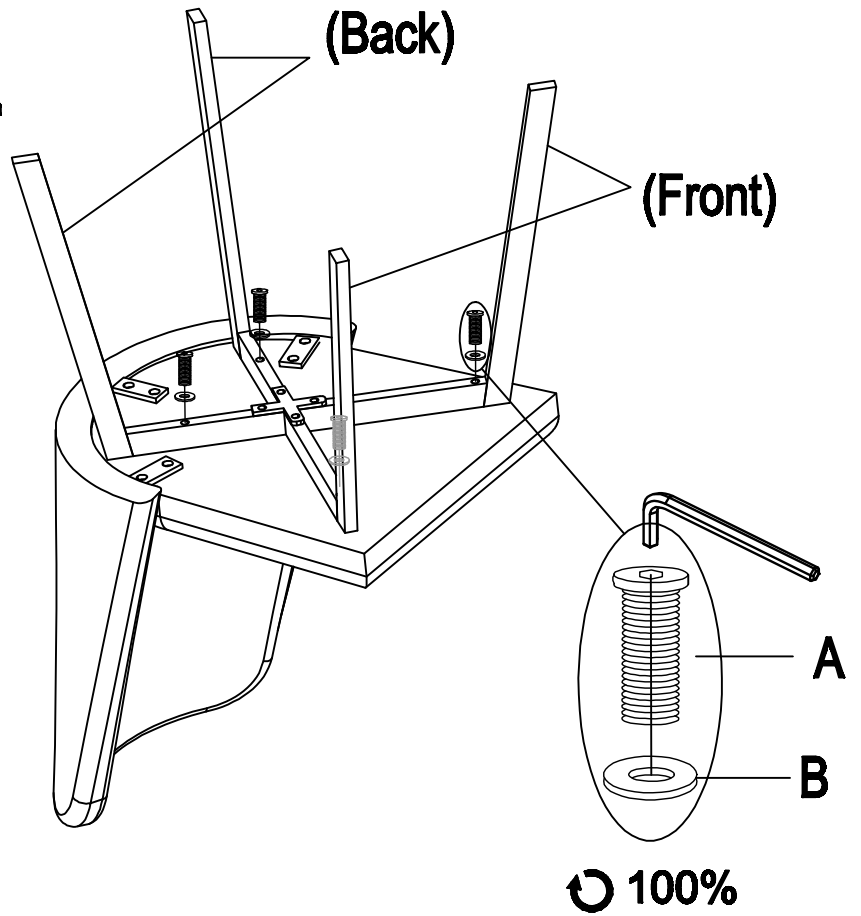
Step 2

You Will Need

A	4xBolts (M6*45)	
B	4xWashers (Ø6*Ø16*1.2)	



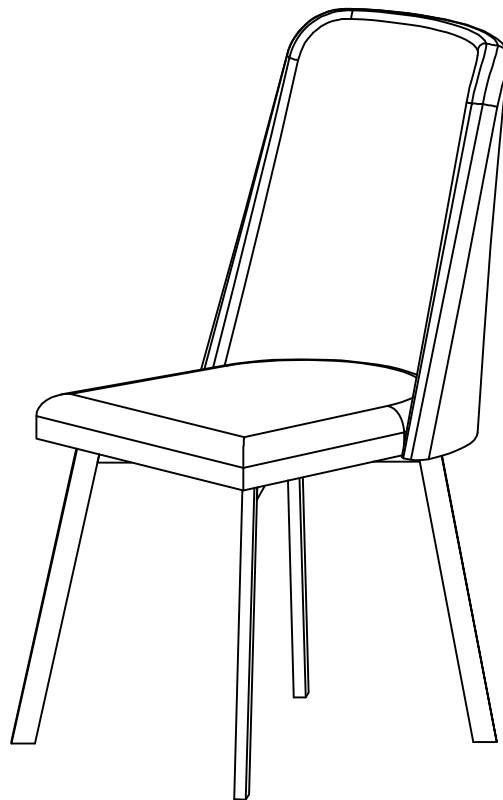
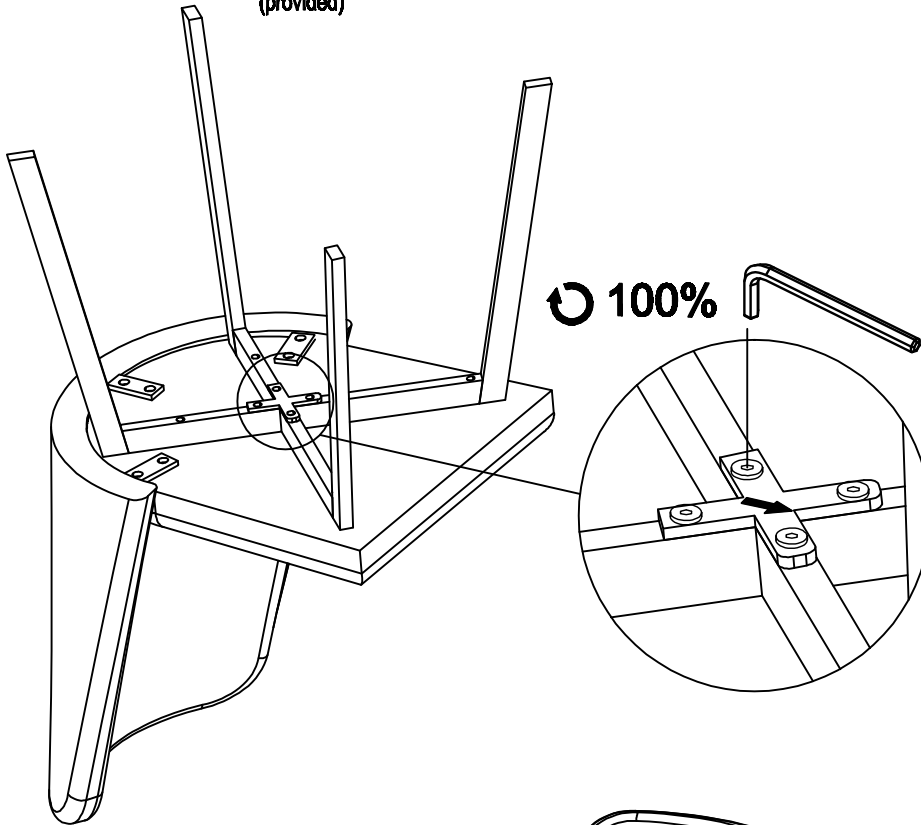
1 x Allen Key 4mm
(provided)



Step 3



1 x Allen Key 4mm
(provided)



The job is now complete!
In the interest of our environment
please dispose of all packaging thoughtfully