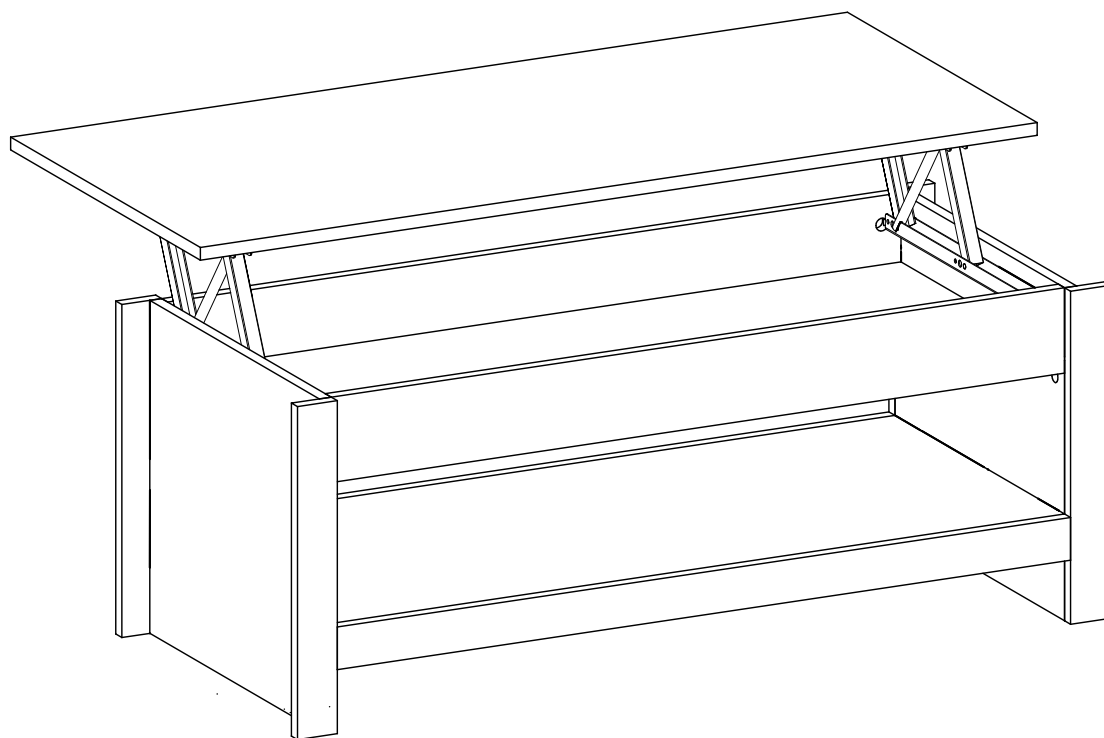


LANCASTER - LIFT UP COFFEE TABLE ASSEMBLY INSTRUCTIONS

Thank you for purchasing the **LIFT UP COFFEE TABLE**.
Please read the instructions carefully to ensure safe operation of the product.



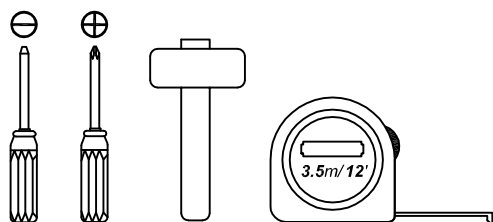
Size: (W)1050 x (D) 500 x (H)390mm
Colour : Bianco Oak / Light Grey

PLEASE READ this sheet prior to assembly to familiarise yourself with the various stages of construction.

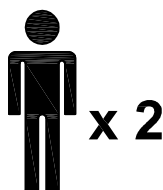
Carefully open the pack supplied and check the contents against the parts and fittings check list. Do not destroy any of the packaging until you are certain that you have all the necessary parts for the assembly.

CAUTION: There are small components used in the construction of this unit. These loose items should be kept away from young children whilst assembling your unit to avoid the danger of choking hazards.

Tools Required



Person Required



Approximate Assembly Time



IMPORTANT - READ CAREFULLY - RETAIN THESE INSTRUCTIONS FOR FUTURE REFERENCE.

INFORMATION

- The Product is intended for a maximum load of 15kg with the Top in the closed Position . It is recommended that any heavy items over 5kg removed from the top before sliding open to maintain the stability of the table .
- The top compartment and bottom Shelf are designed to hold evenly distributed loads upto a maximum of 10kg .
- Due to the size of this product we recommend that is assembled in the room intended for use.
- When you ready to start, make sure that you have the right tools, plenty of space and a clean, dry area for assembly
- Unwrap all packaging materials and place the components on top of the carton box or not on a clean floor to prevent it from scratching.
- Check the pack and make sure you have all the parts listed.
- Ensure that this product is fully assembled as illustrated before use.
- Check all screws or bolts are tightened and inspect regularly.
- This product should only be used on firm, level ground.
- Keep small parts out of reach of children.
- Make sure the legs remain in contact with the ground.
- Tools not included.

WARNINGS

- DO NOT use power tools to construct this product.
- DO NOT tighten screw until fully assembled.
- DO NOT over tighten screw or bolts.
- DO NOT stand or sit on this Table.
- DO NOT place hot items or liquids directly onto the top surface otherwise this will permanently damage the item. Always use a heat resistant mat if placing such items on the surface.

CARE INFORMATION

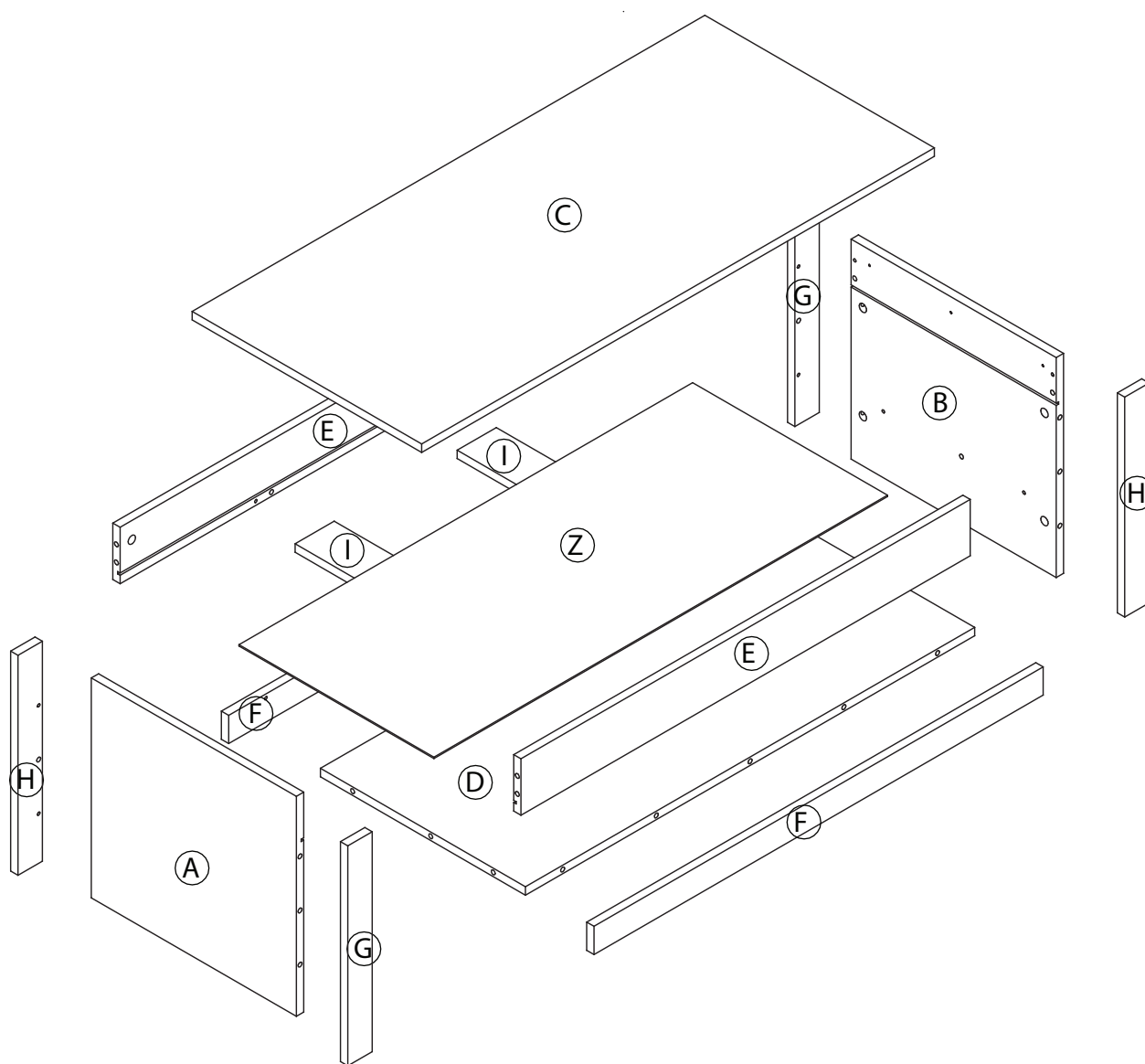
- Never use scourers, abrasives or chemical cleaners.
- To clean wipe with a sponge and soapy water. Do not use solvent based cleaners or detergents as they can bleach or damage the product.
- Any spilled liquids must be wiped up and removed immediately .
- Clean with a gentle sponge or clean cloth using warm soapy making sure that any residual liquid is fully removed.
- Do not use Solvent based cleaners or Detergents as they can bleach and damage the product.

Please check the pack contents before assembling the product. If any components are missing, please contact your retailer. The fittings pack contains small items that should be kept away from small children.

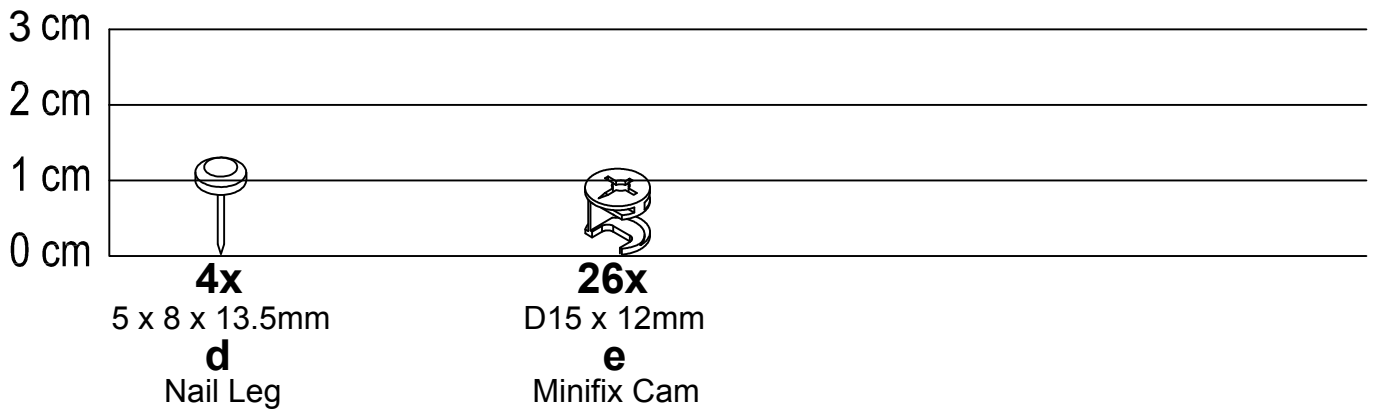
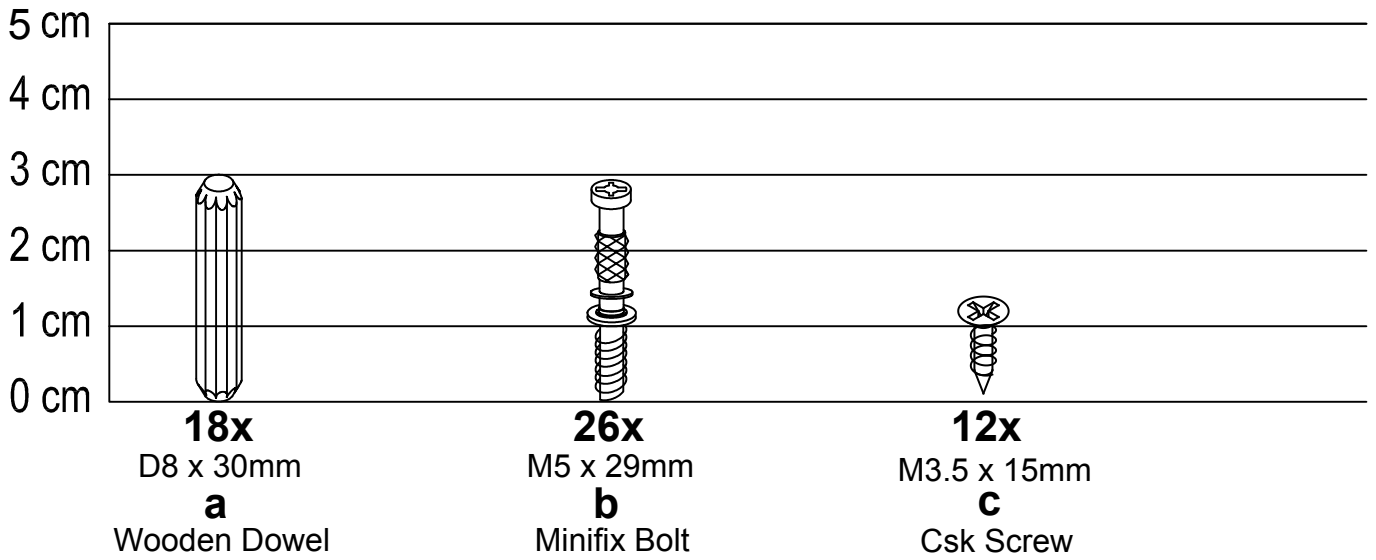
Parts

CODE	PART NAME	QTY
A	Side Panel (L) (15 x 450 x 365mm)	1
B	Side Panel (R) (15 x 450 x 365mm)	1
C	Top Panel (25 x 450 x 1050mm)	1
D	Bottom Panel (15 x 450 x 920mm)	1
E	Front Bar (15 x 100 x 920mm)	2
F	Bottom Bar (15 x 50 x 919mm)	2

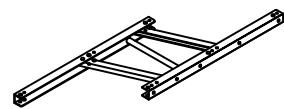
CODE	PART NAME	QTY
G	Front Panel (L) (15 x 50 x 365mm)	2
H	Front Panel (R) (15 x 50 x 3365mm)	2
I	Support Bar (15 x 80 x 420mm)	2
Z	Center panel (2.5 x 929 x 429mm)	1



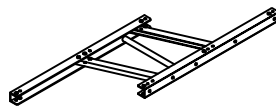
Fixings (to scale)



Fixings (not to scale)



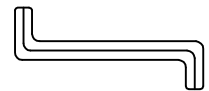
1x
f
Lifting
Mechanism - R



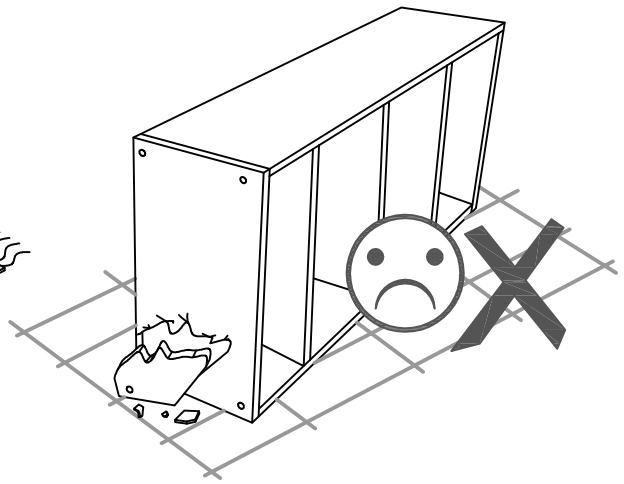
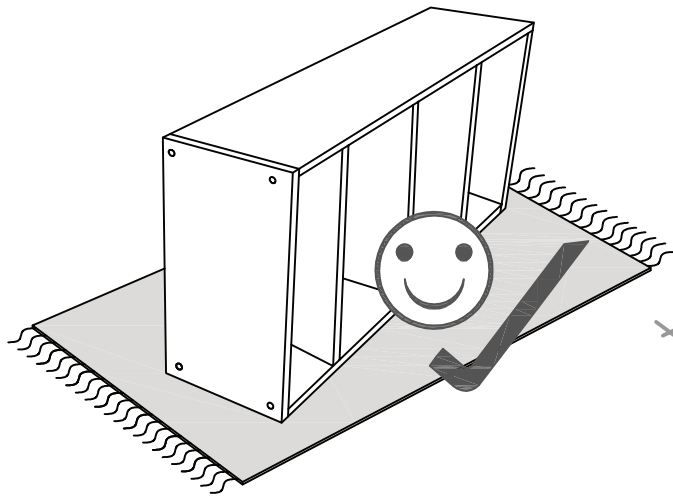
1x
g
Lifting
Mechanism - L



4x
(D-19mm)
h
Round Sticker

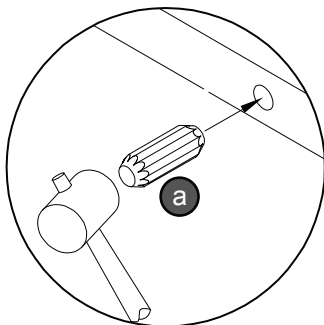
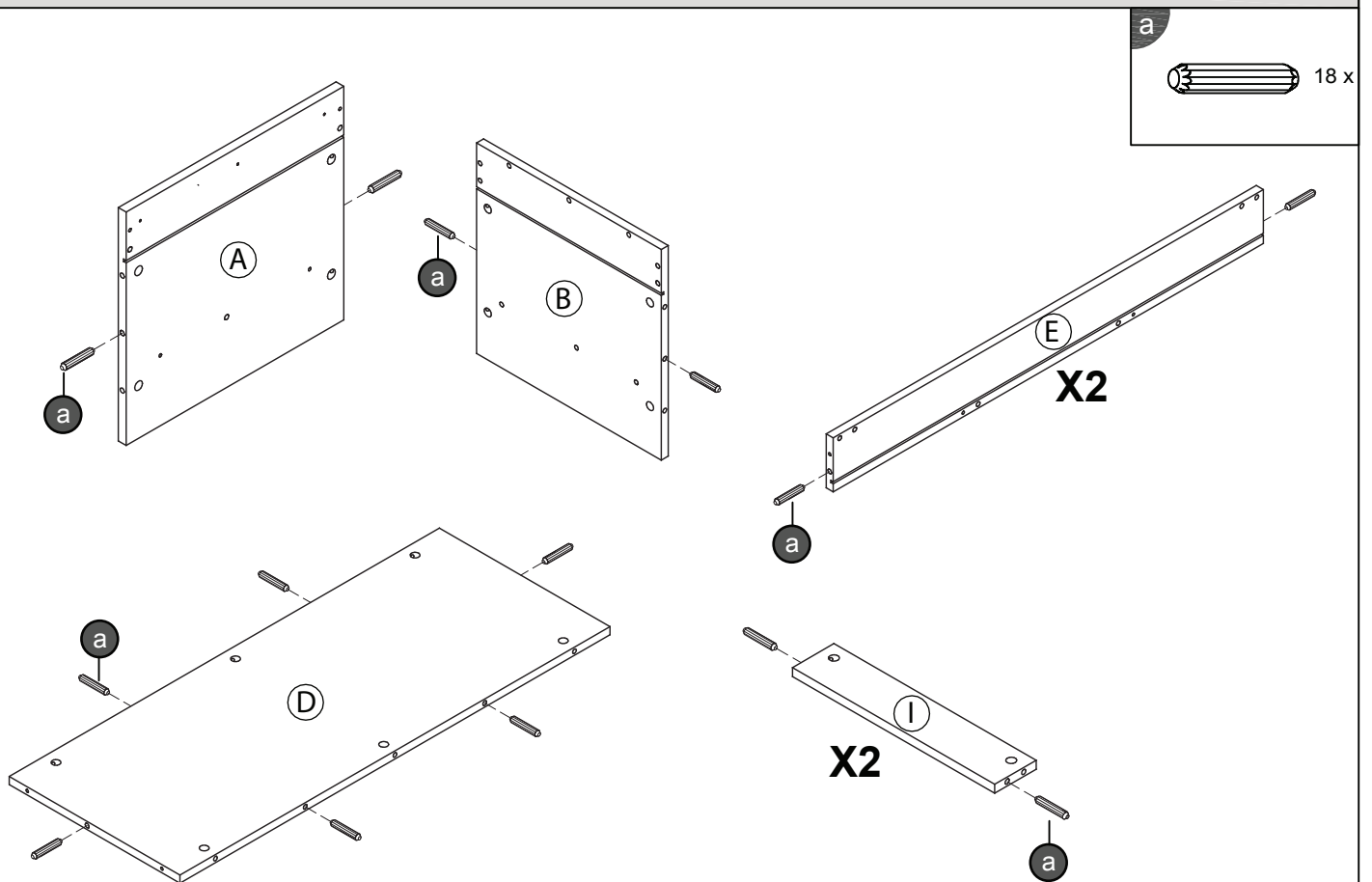


1x
M4
i
Allen Key



Layout Parts on Soft Surface

STEP 1



Parts Required	Qty
Panel (A)	1
Panel (B)	1
Panel (D)	1

Parts Required	Qty
Panel (E)	2
Panel (I)	2

STEP 2

Parts Required

Parts Required	Qty
Panel (A)	1
Panel (B)	1
Panel (E)	2
Panel (F)	2
Panel (G)	2
Panel (H)	2

Parts Required

Parts Required	Qty
Panel (E)	2
Panel (F)	2
Panel (G)	2
Panel (H)	2

STEP 3

Parts Required

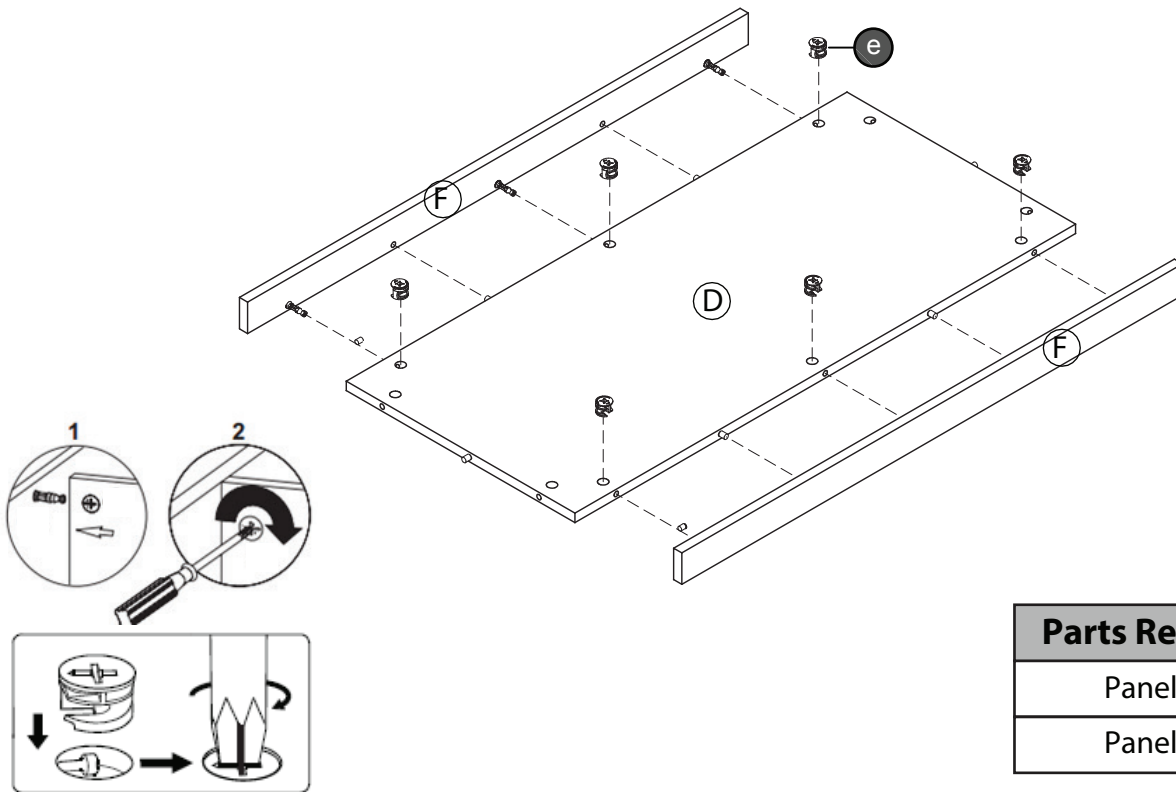
Parts Required	Qty
Panel (A)	1
Panel (B)	1
Panel (F)	2
Panel (G)	2

STEP 4

e



6 x



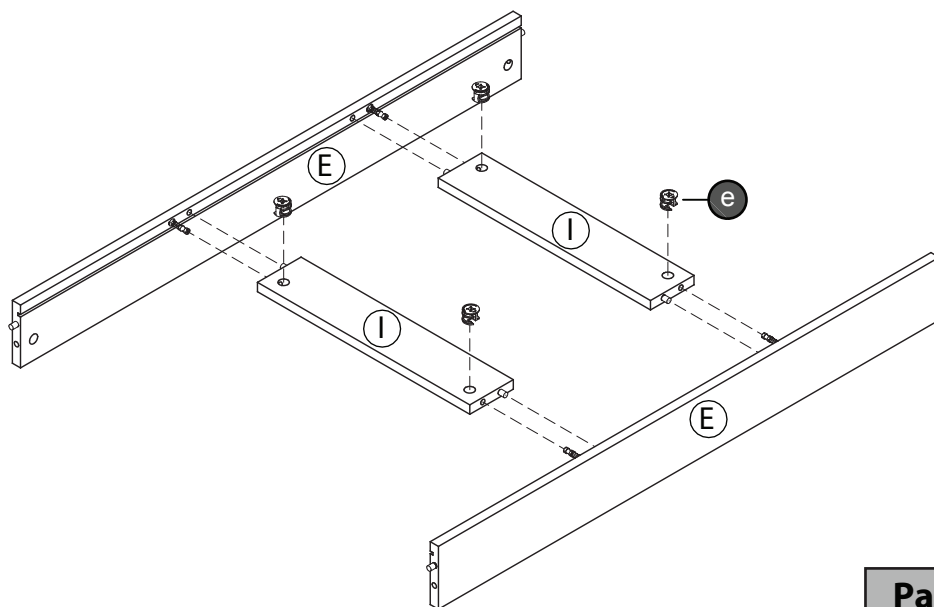
Parts Required	Qty
Panel (F)	2
Panel (D)	1

STEP 5

e

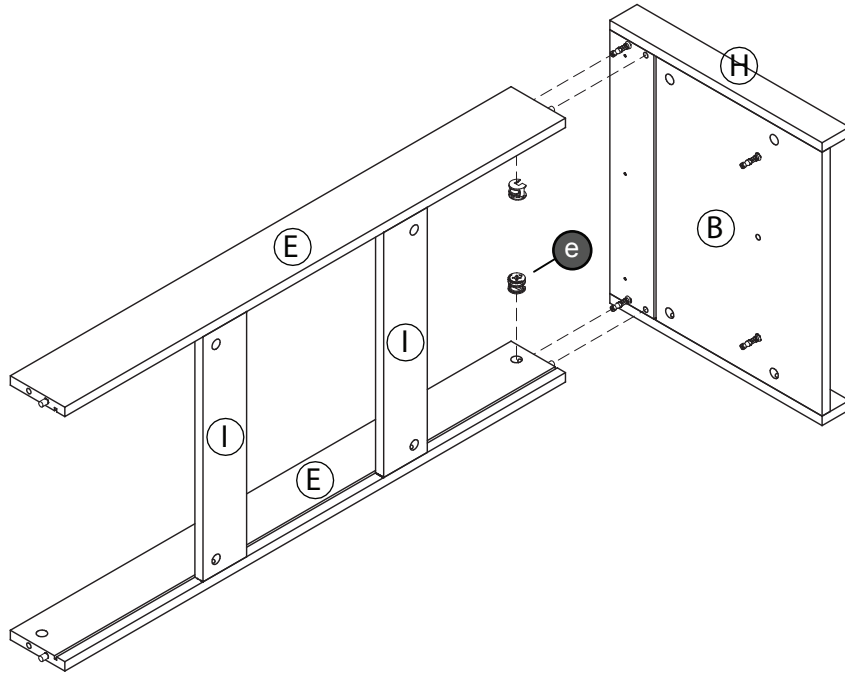


4 x



Parts Required	Qty
Panel (E)	2
Panel (I)	2

STEP 6

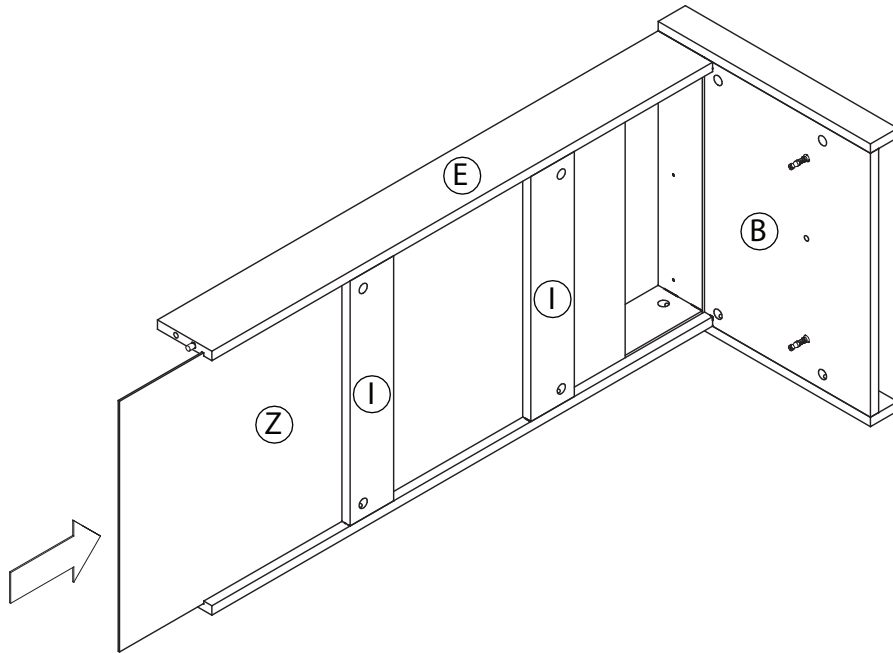


e



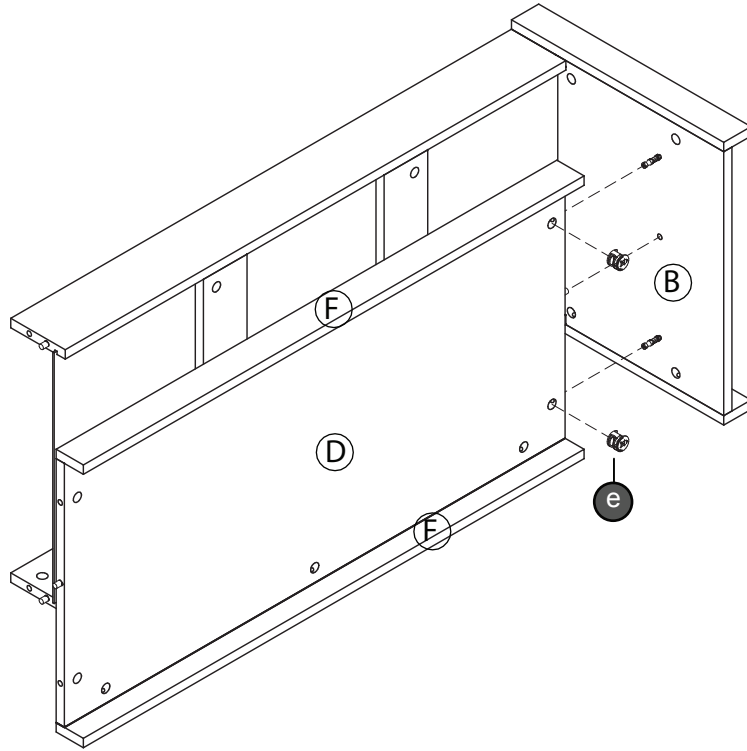
2 x

STEP 7



Parts Required	Qty
Panel (Z)	1

STEP 8

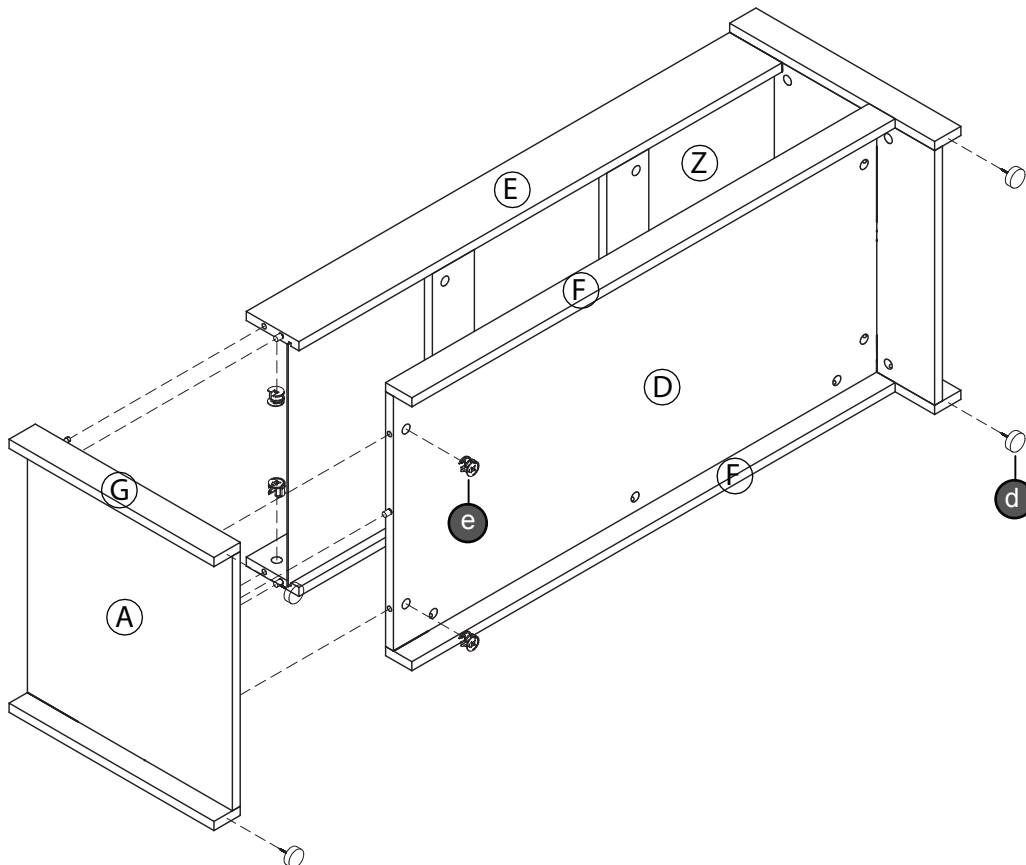


e

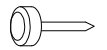


2 x

STEP 9



d



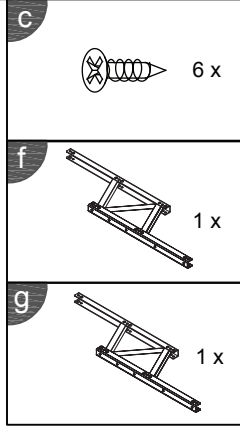
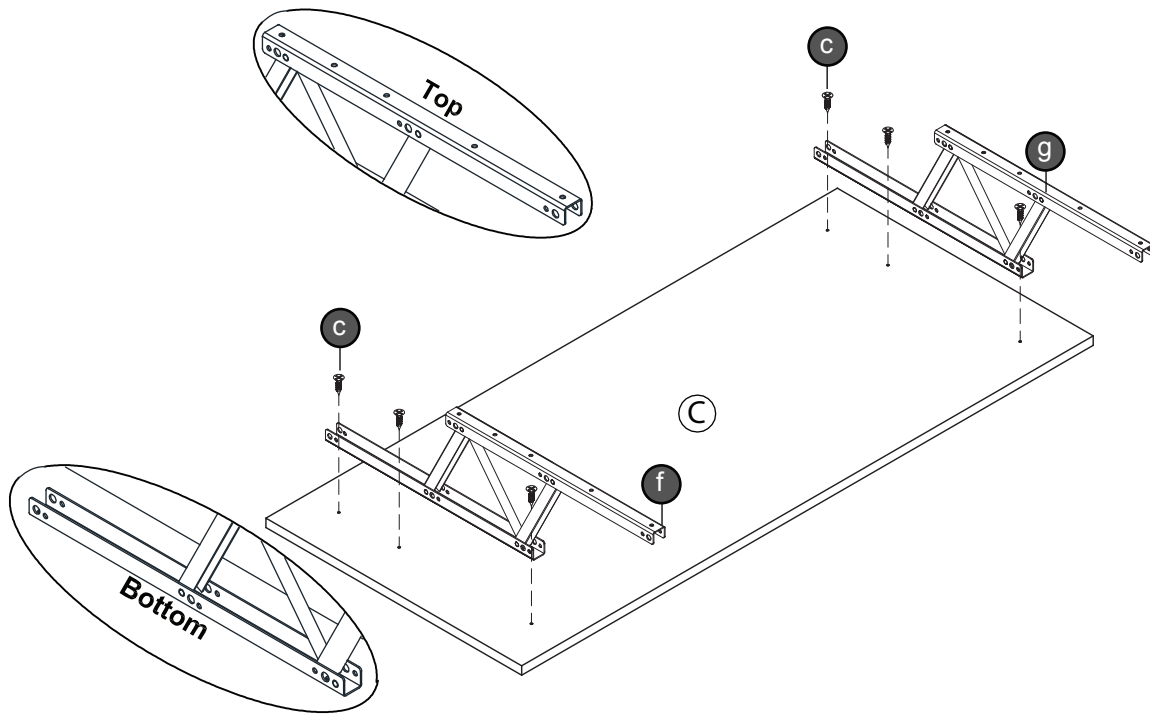
4 x

e

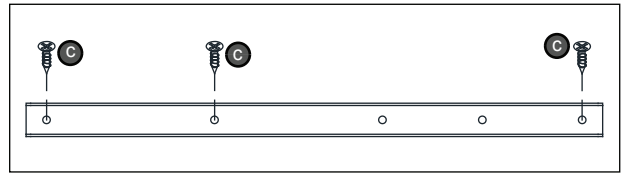


4 x

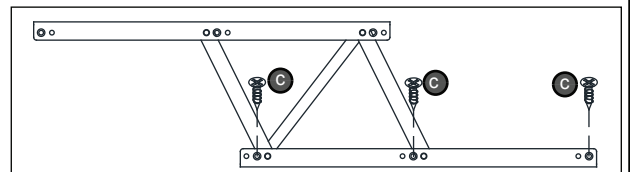
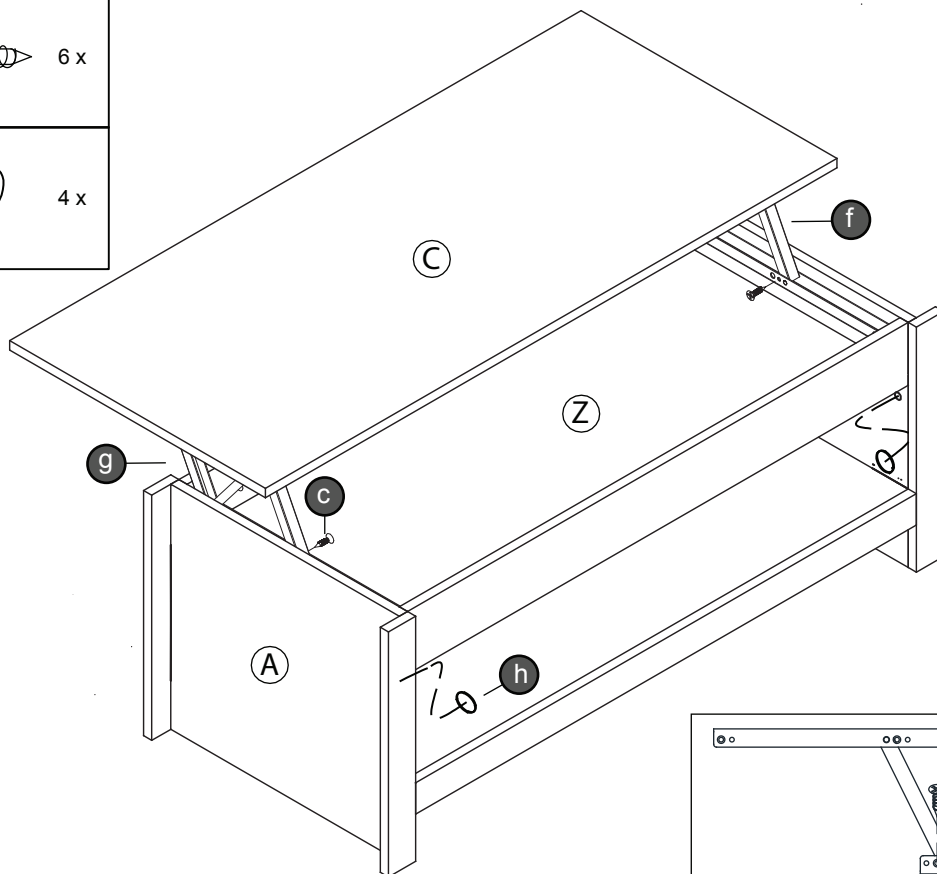
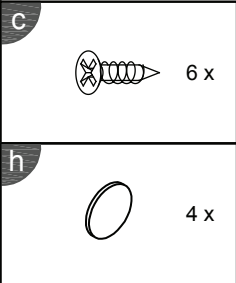
STEP 10



Parts Required	Qty
Panel (C)	1



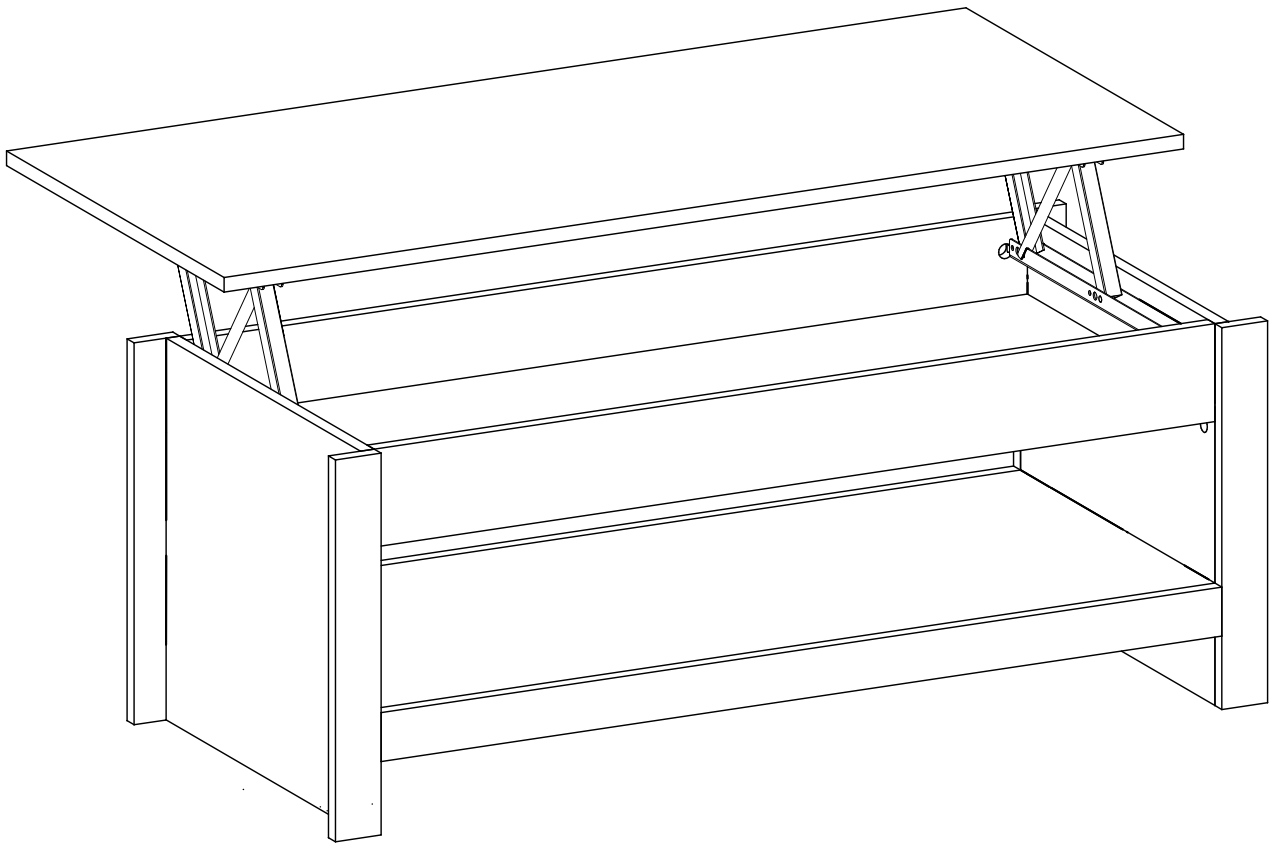
STEP 11



Complete Assembly

Your **LANCASTER LIFT UP COFFEE TABLE** is now completely assembled

Periodically check to ensure that the components are in their proper position, free from damage. Also, make sure the connectors are tight and secure.



Keep instructions for future reference

