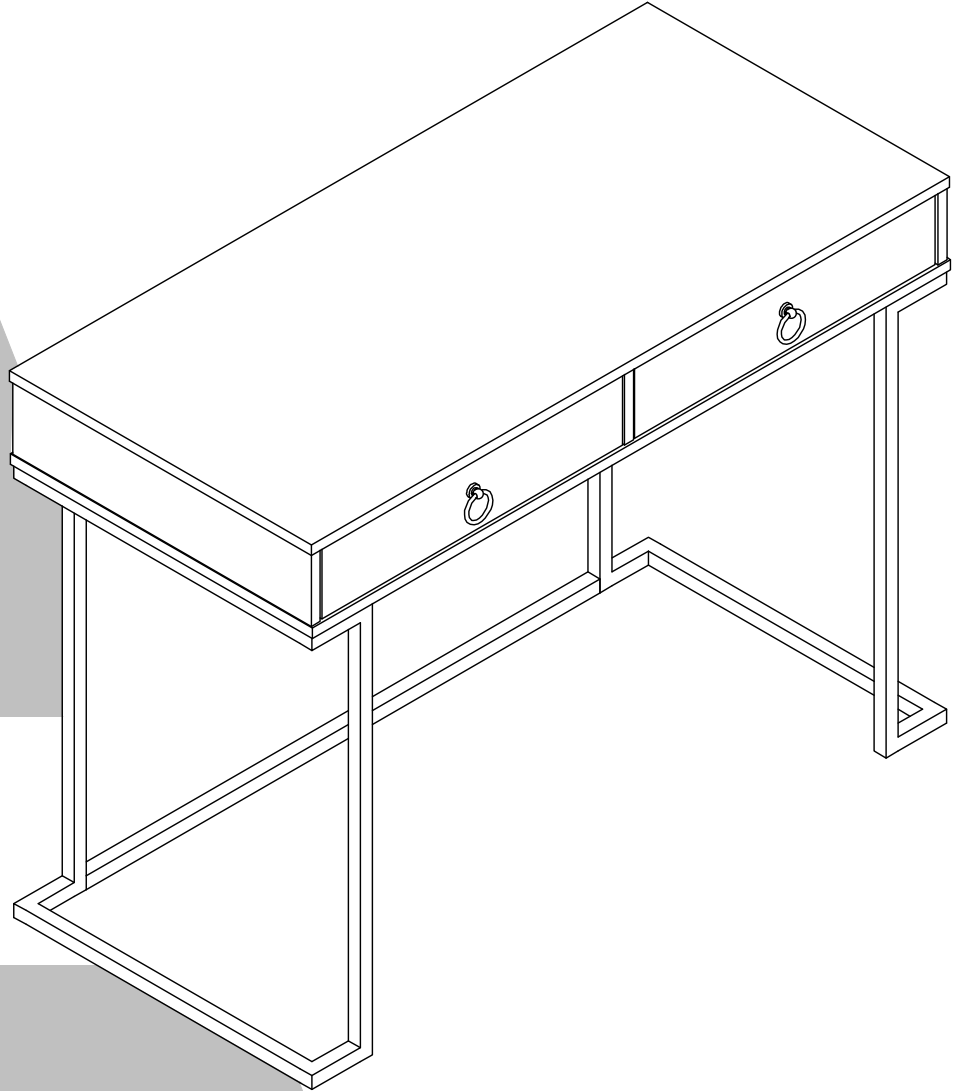


1796013COMCLUK White
1796408COMCLUK Graphite Grey
Cosmo Living Desk

COSMOLiving
by COSMOPOLITAN

Date of Purchase ___ / ___ / ___
Lot Number:



THIS INSTRUCTION BOOKLET CONTAINS **IMPORTANT** SAFETY INFORMATION. PLEASE READ AND KEEP FOR FUTURE REFERENCE.

Do Not Return This Product!

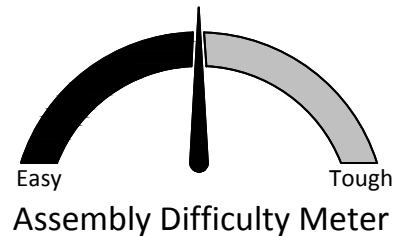
Contact our customer service team for help first.

Call: 01942 524100

Email: cseurope@dorel.com

WARNING

- Unit can tip over causing severe injury or death.
- Anchor unit to stud in wall (if instructed to).
- Do Not allow children to climb on unit.
- Put heavy items on lower shelves or drawers.



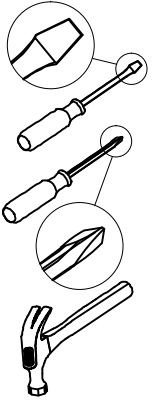
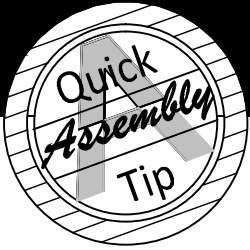


Helpful Hints

PEOPLE NEEDED FOR ASSEMBLY: **1-2**
ESTIMATED ASSEMBLY TIME: **1 HOUR**

- Open your item in the area you plan to keep it to avoid excessive heavy lifting.
- Identify, sort and count the parts before attempting assembly.
- Compression dowels are lightly tapped in with a hammer.
- Slides are labeled with a **R** (right) and **L** (left) for proper placement.
- Make sure to always face the point on the top of the Cam Lock towards the outer edge.
- Use all the nails provided for the back panel and spread them out equally.
- Back panel must be used to make sure your unit is sturdy.
- Do NOT use harsh chemicals or abrasive cleaners on this item.
- Never push, pull, or drag your furniture.



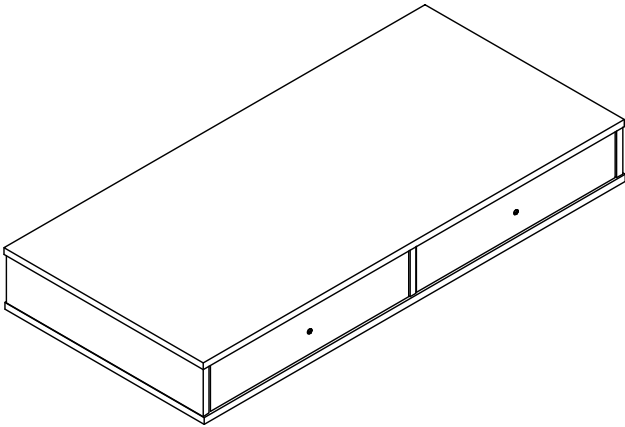


Before You Start

- ✓ Read through each step carefully and follow the proper order
- ✓ Separate and count all your parts and hardware
- ✓ Give yourself enough room for the assembly process
- ✓ Have the following tools: Flat Head Screwdriver, #2 Phillips Head Screwdriver and Hammer
- ✓ Caution: If using a power drill or power screwdriver for screwing, please be aware to slow down and stop when screw is tight. Failure to do so may result in stripping the screw.

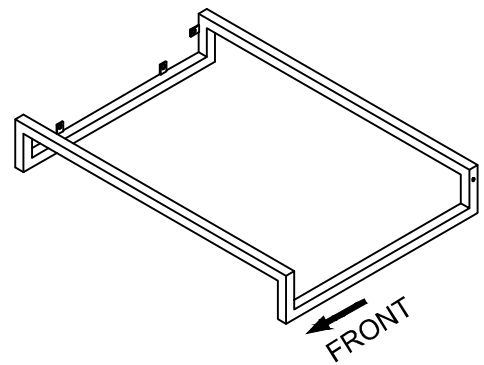
Board Identification

Not actual size



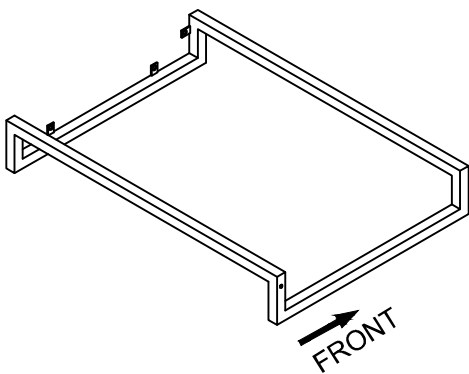
A

Desk Sub-assembly
T1796013010KX



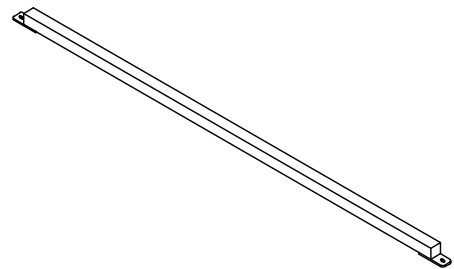
B

LEFT FRAME
T1796013020KX



C

RIGHT FRAME
T1796013030KX

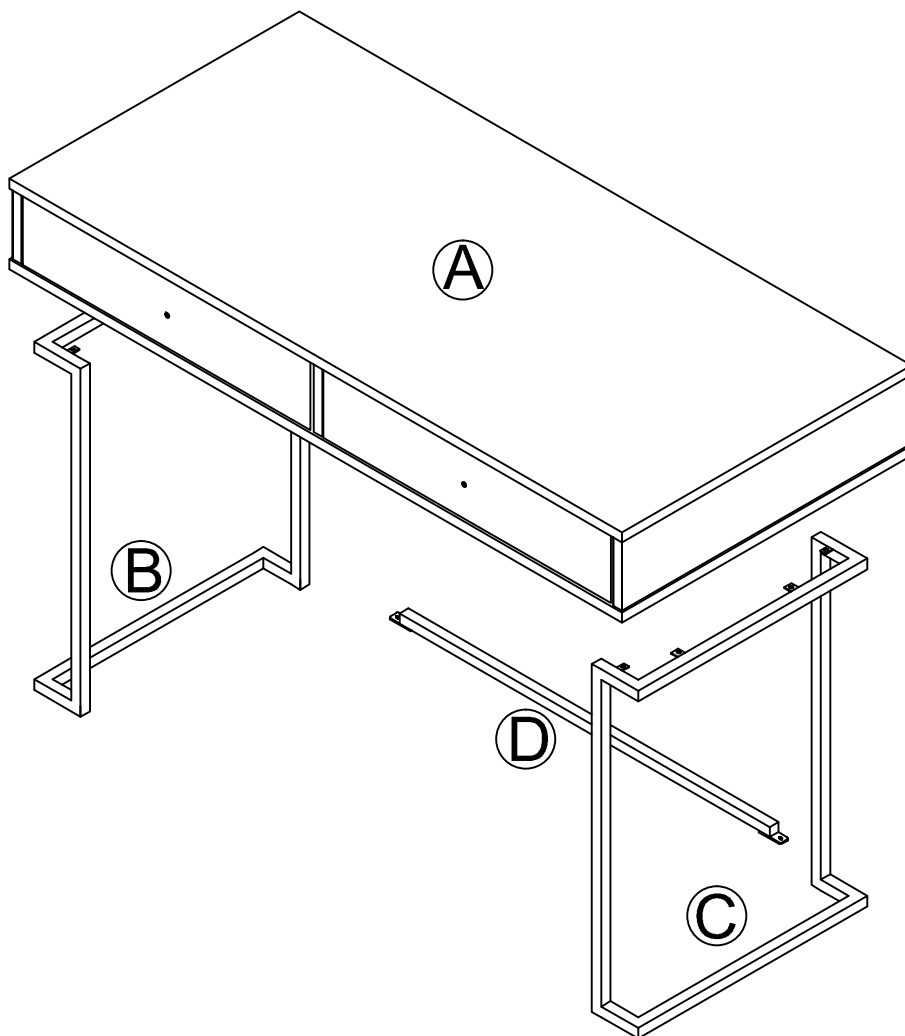


D

CONNECTING TUBE
T1796013040KX

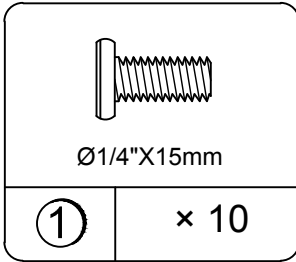
Board Identification

Not actual size

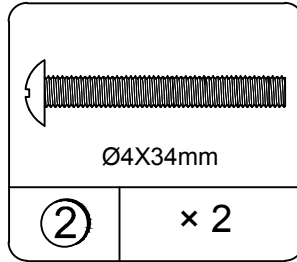


Part List

Actual Size

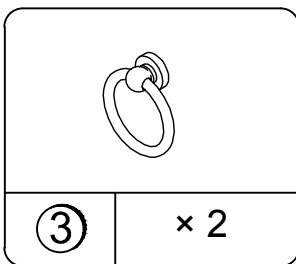


BOLT
TKX0021

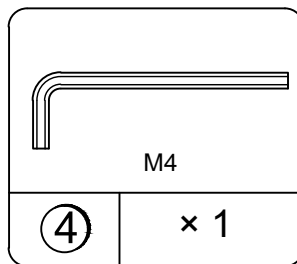


BOLT
TKX0026

Not Actual Size



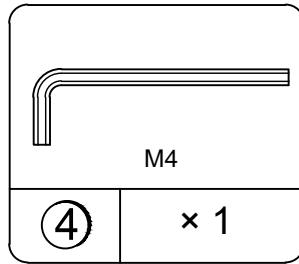
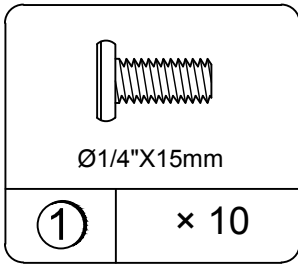
HANDLE
TKX0004



HEX KEY
TKX0018

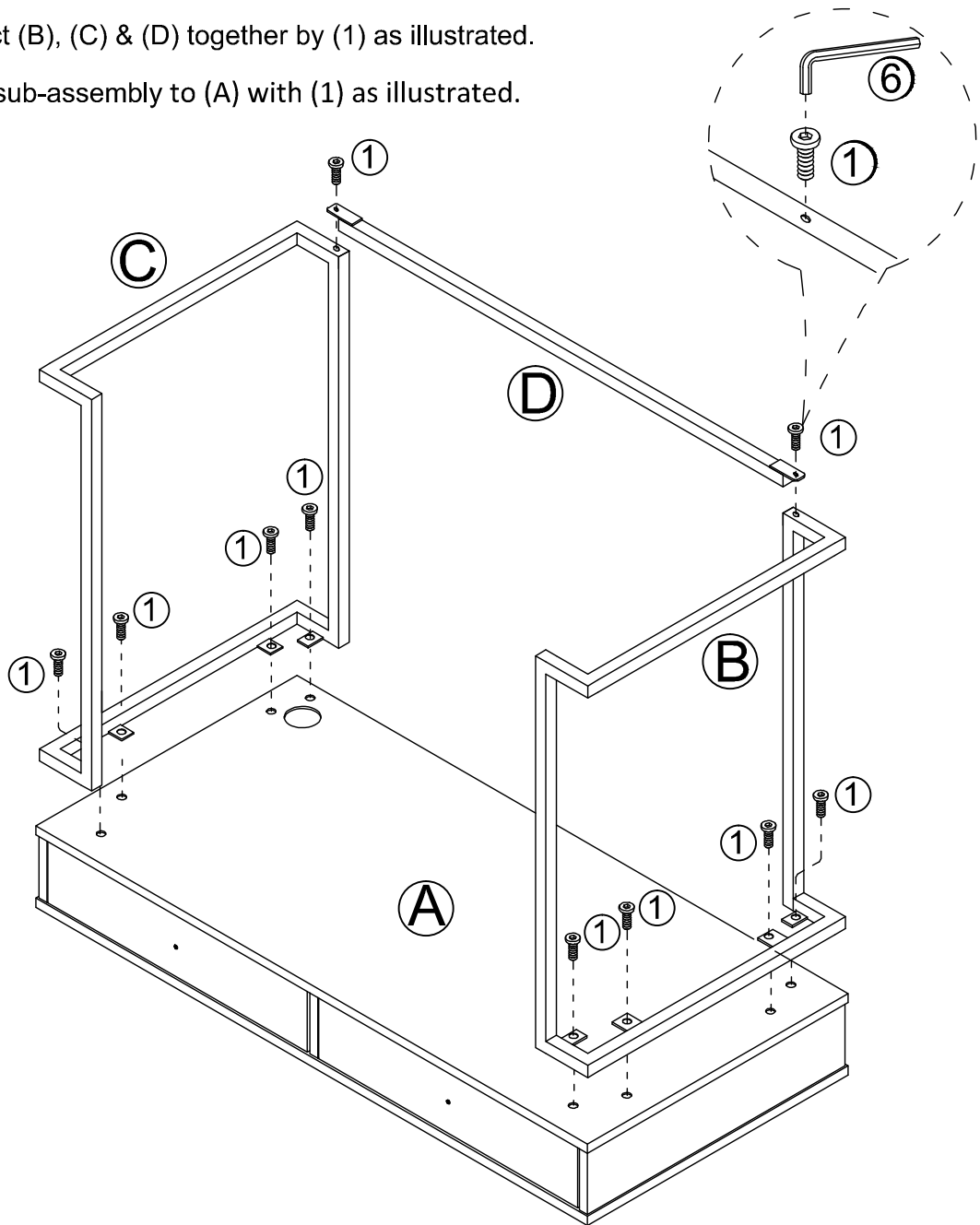
Note: Handle (4) and bolt (2) are pre-assembled in the drawer.

STEP 1

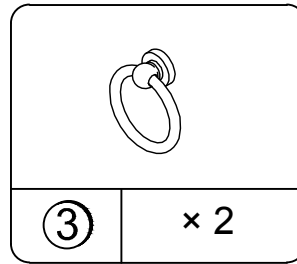
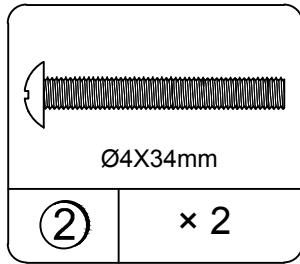
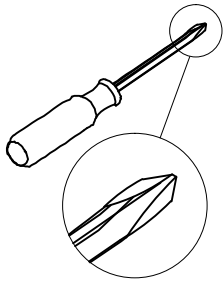


1.1 Connect (B), (C) & (D) together by (1) as illustrated.

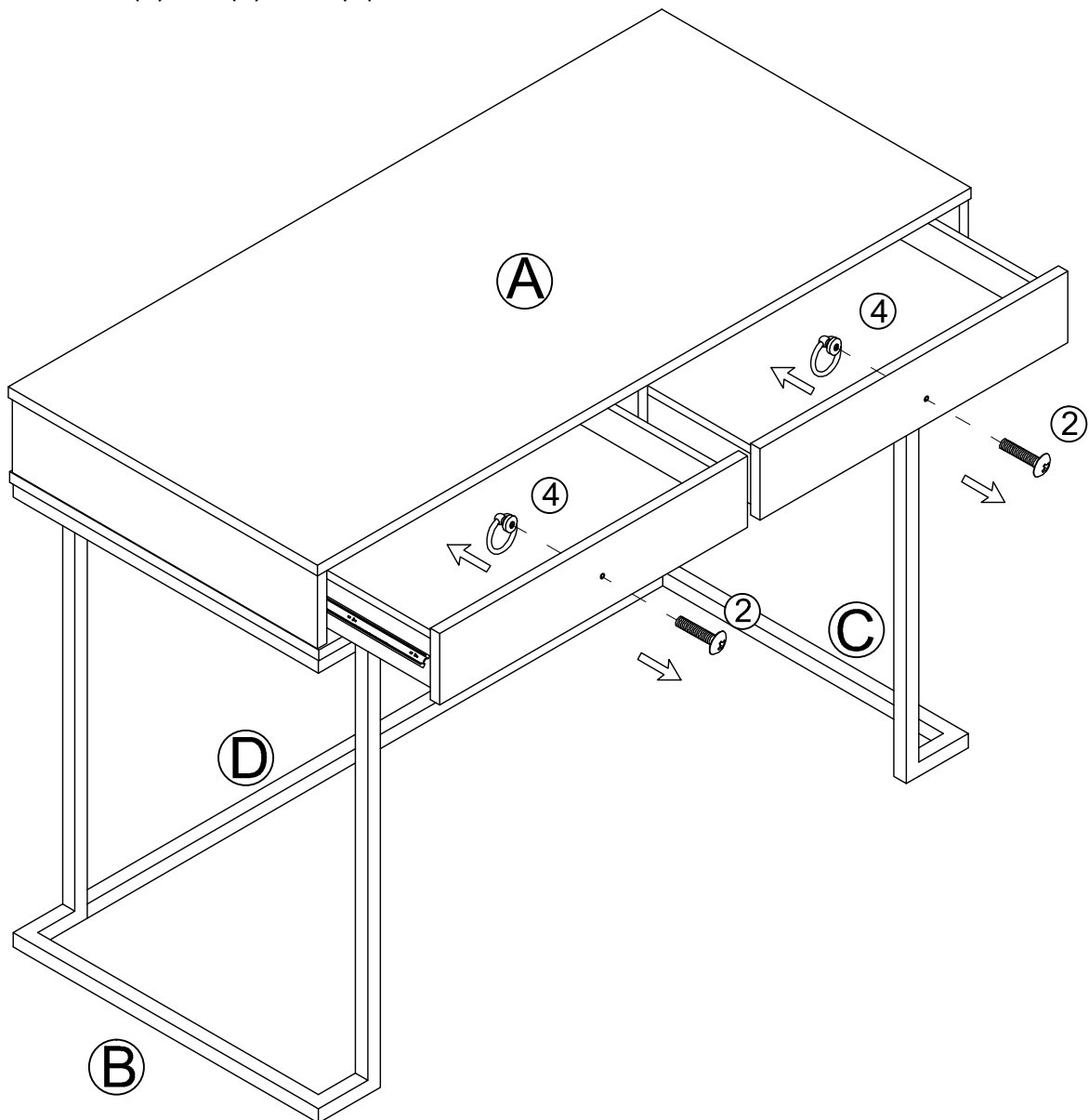
1.2 Attach sub-assembly to (A) with (1) as illustrated.



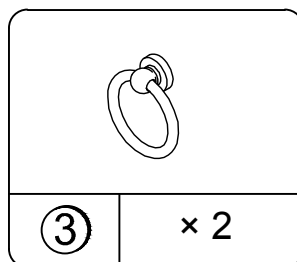
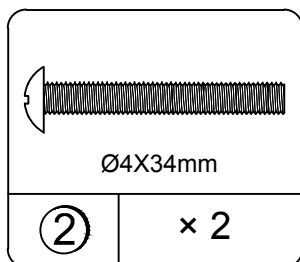
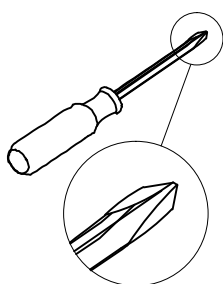
STEP 2



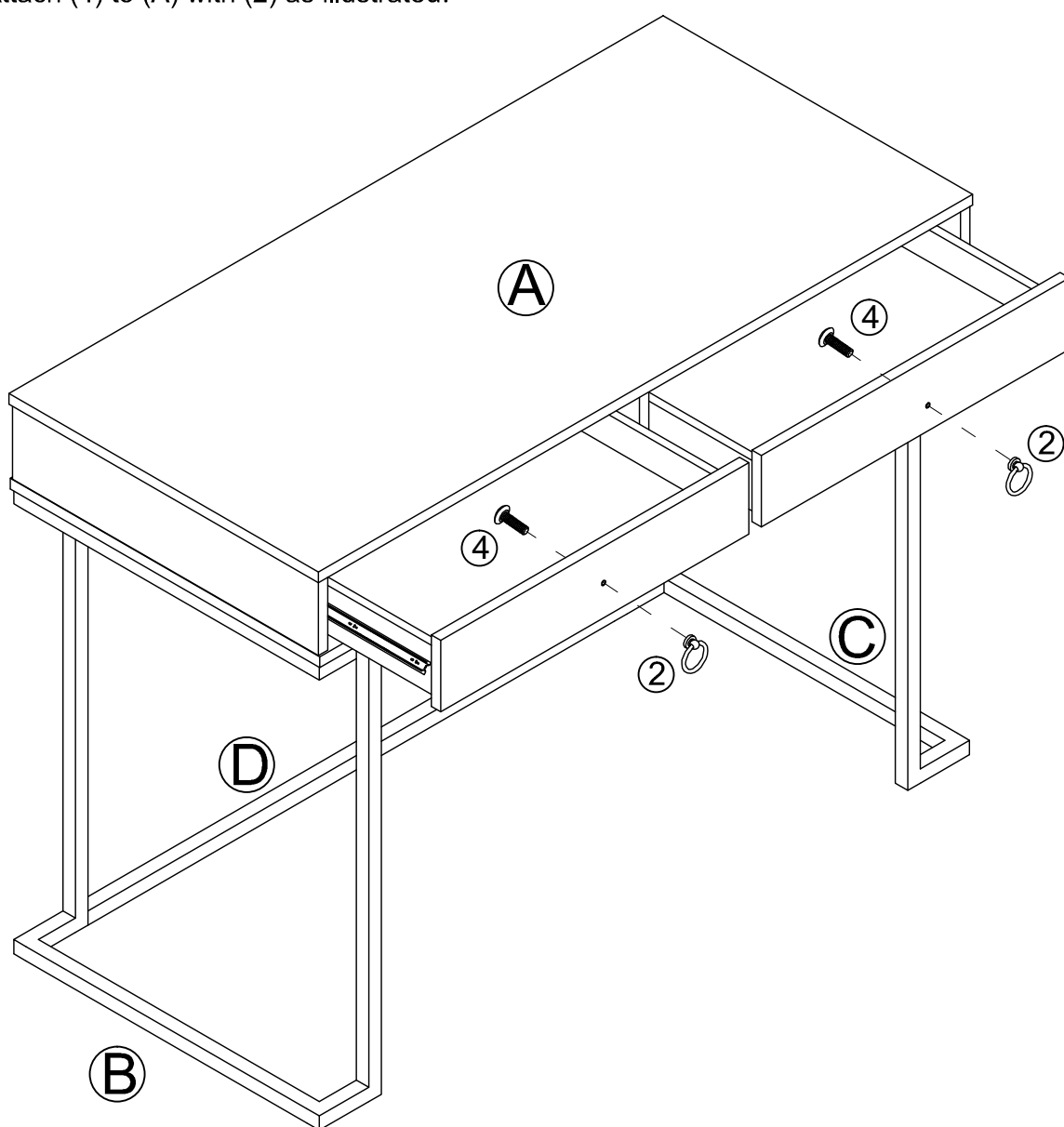
2.1 Remove (2) and (4) from (A) as illustrated.



STEP 3

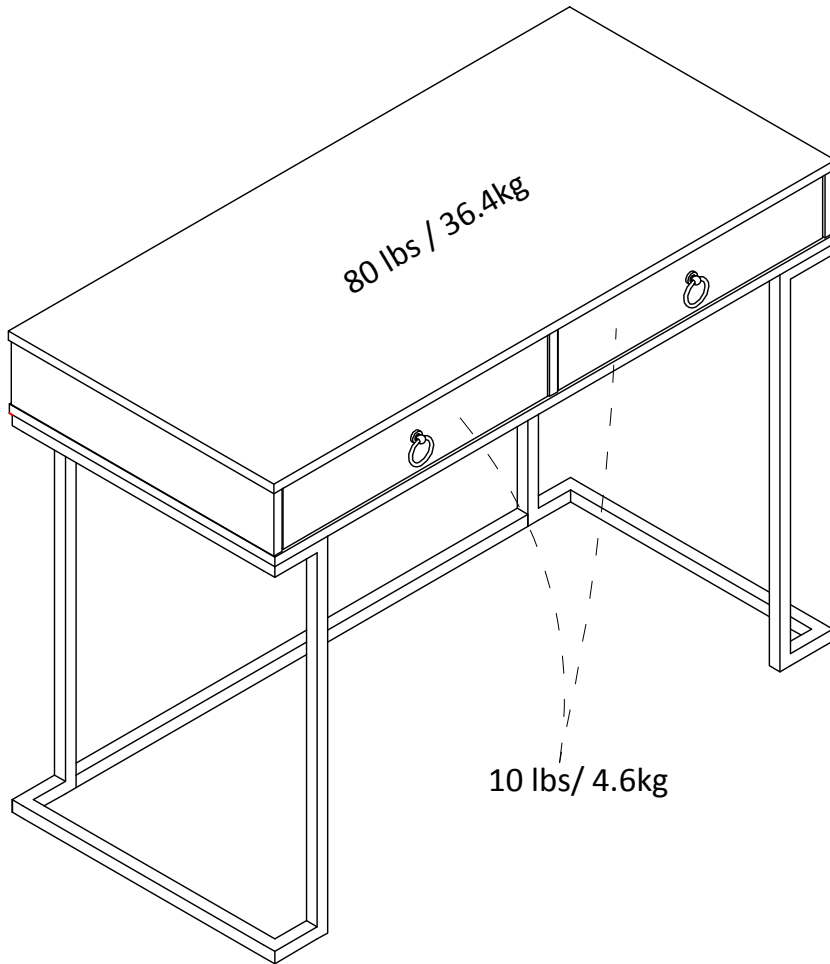


3.1 Attach (4) to (A) with (2) as illustrated.



Maximum Loads

This unit has been designed to support the maximum loads shown. Exceeding these load limits could cause sagging, instability, product collapse, and/or serious injury.



Warning: Risk of injury to persons - do not place a television on this furniture. This furniture is not approved for use with a television.
