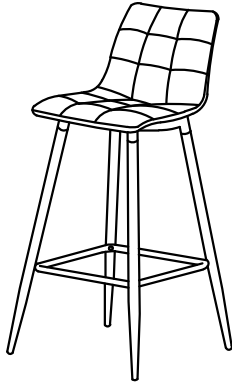


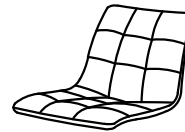
## Assembly Instructions

Item No.: 203-05-23-01-01



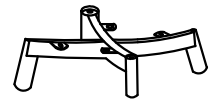
### + Parts Included

①



(1pc)

②



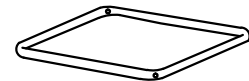
(1pc)

③



(4pcs)

④



(1pc)

+ Do Not Use Power Tools



+ Suggested Adults



NOTE: For questions about parts or assembly please email [support@shankar.uk.com](mailto:support@shankar.uk.com)

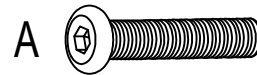
1. Read instructions cover to cover.
2. Save all packaging until assembly is completed.

### IMPORTANT ASSEMBLY INFORMATION

Assembly Step:

- 1) Use Screws to connect Part to Part.
- 2) Please strictly follow the assembly steps to assemble

### + Hardware Included



screw  
M8\*35 (4pcs)

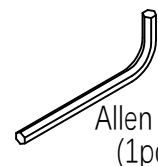


screw  
(4pcs)

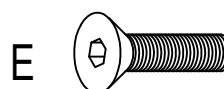


Flst washer  
M8\*20 (4pcs)

D

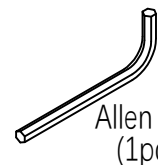


Allen Key 5#  
(1pc)



screw  
M6\*25 (4pcs)

F



Allen Key 4#  
(1pc)



screw  
M6\*16 (4pcs)

H

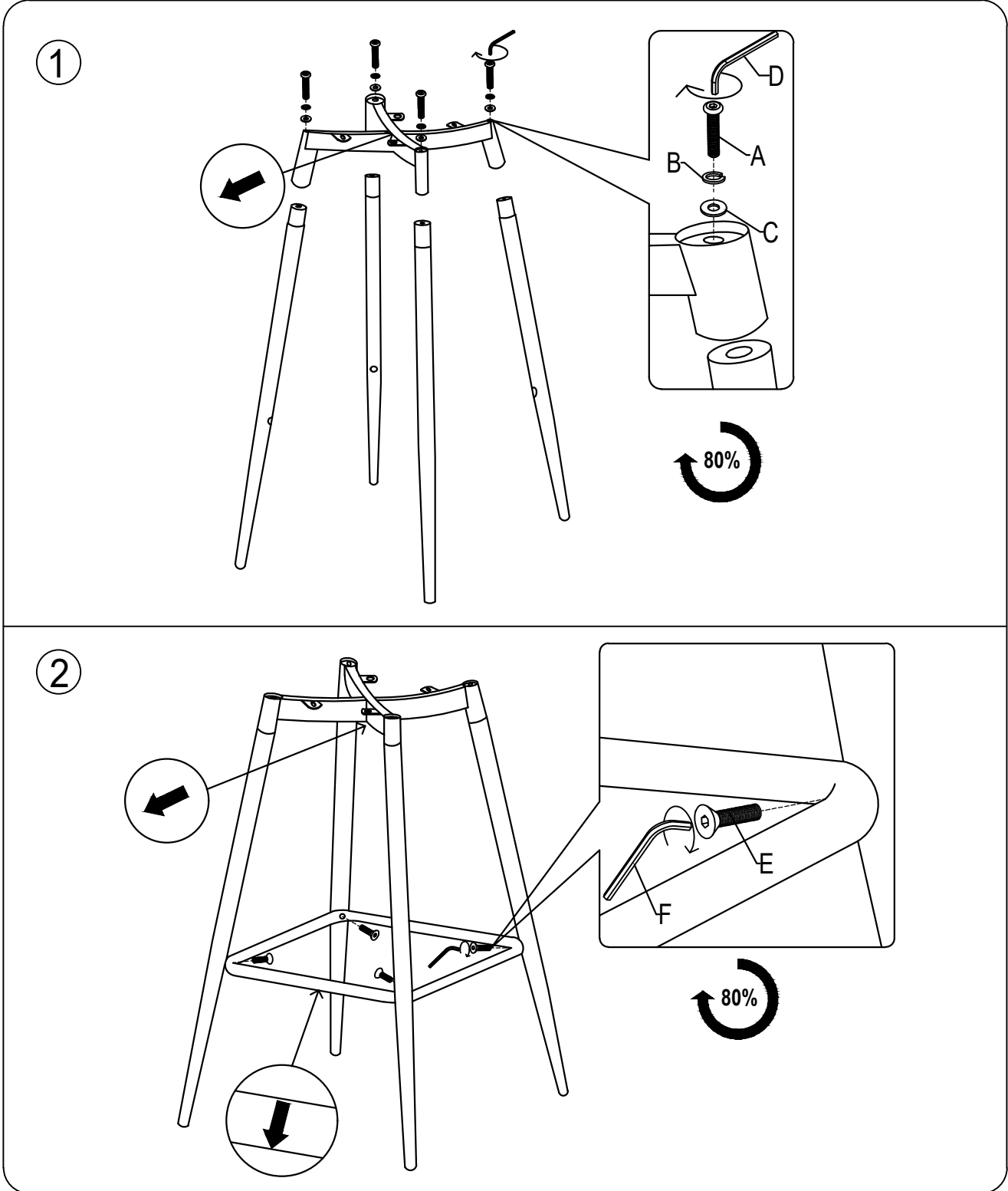


Flst washer  
M6\*16 (4pcs)

Do not tighten until all hardware is locked

# Assembly Instructions

Item No.:203-05-23-01-01

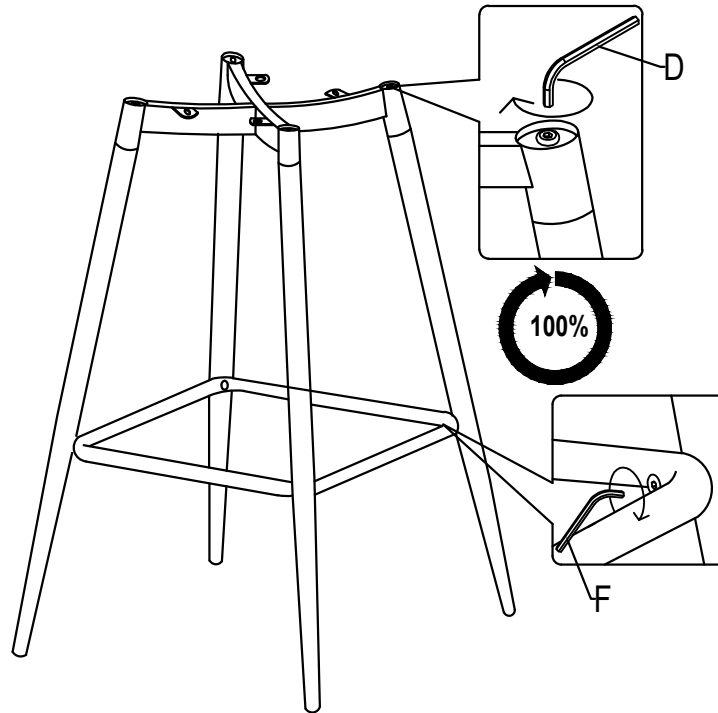


Do not tighten until all hardware is locked

# Assembly Instructions

Item No.:203-05-08-01-01

3



4

