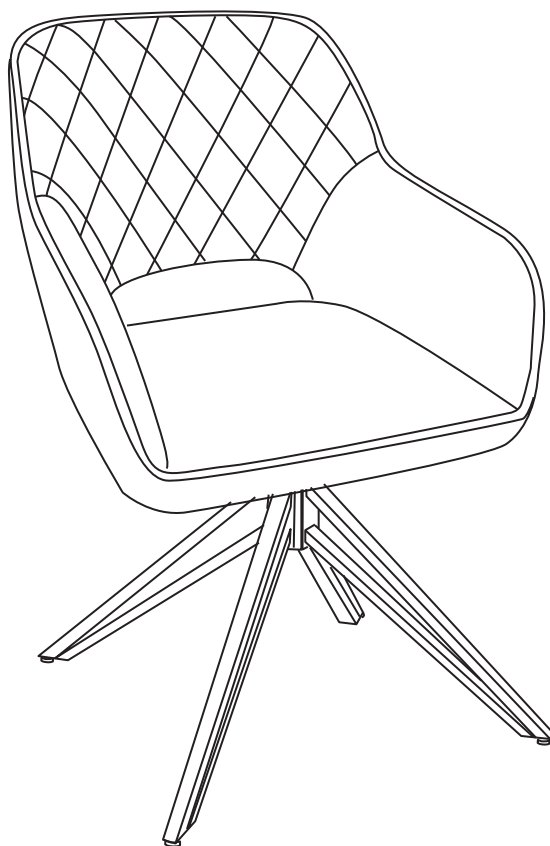


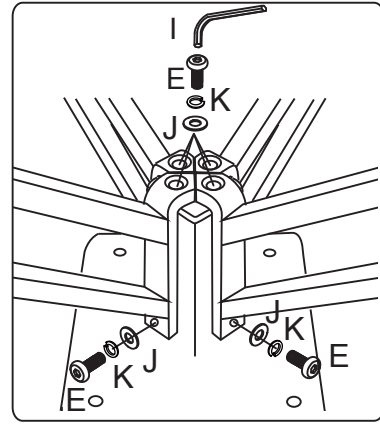
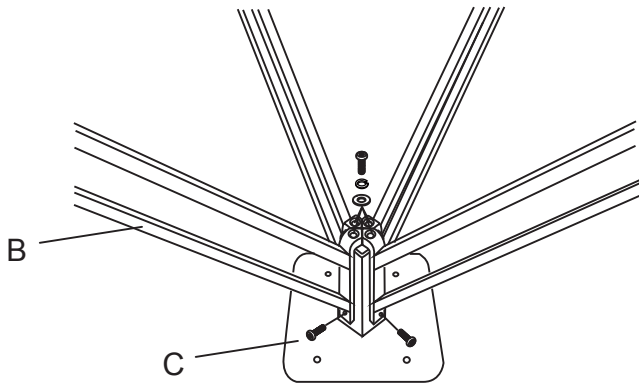
ASSEMBLY INSTRUCTION

STYLE 163

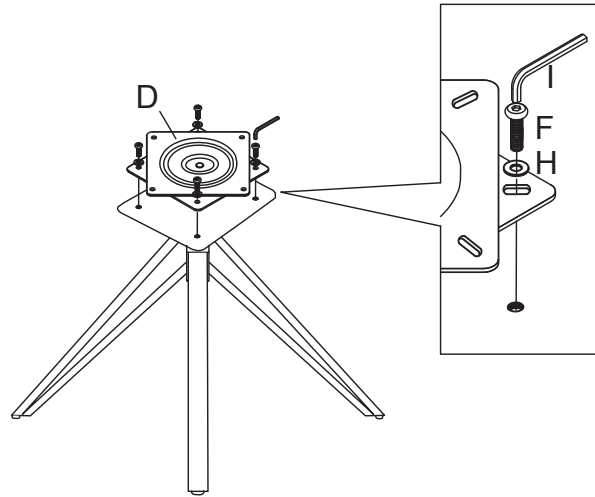
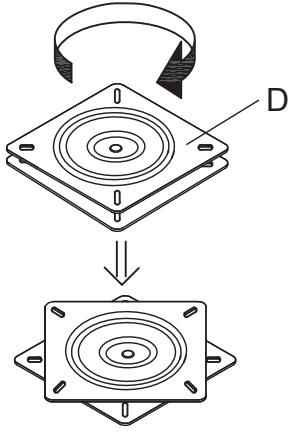


<p>AX1</p>	<p>B X4</p>	<p>C X1</p>	<p>DX1</p>	<p>E X8</p> <p>M8x13</p>	<p>F X4</p> <p>M6x13</p>
<p>G X4</p> <p>M6x25</p>	<p>HX8</p> <p>M6</p>	<p>IX1</p>	<p>JX8</p> <p>M8</p>	<p>KX8</p>	

1



2



3

