
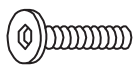

	<b>A</b> (4mm)x1 	<b>B</b> (M6x20mm)x4 	<b>C</b> (Ø18x6x1.5mm)x4 
	<b>D</b> (M6X12mm)x4 