

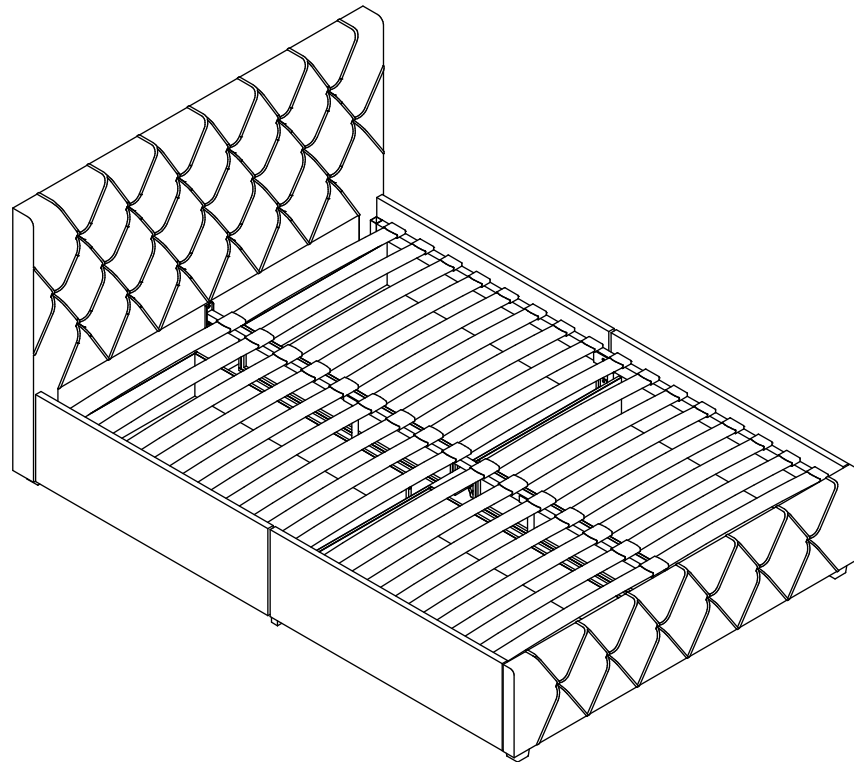


4327429CLUK (Grey) 4457029CLUK (Black)
4458329CLUK (Ivory)

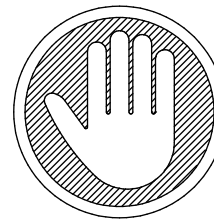
Upholstered Bed with Storage

Double UK

Weight Limit: Bed: 450 Lb / 204 Kg
Drawer: 40 Lb / 18 Kg



Thank you for purchasing from Dorel UK!



DO NOT RETURN TO THE STORE !

If parts are missing or damaged, we will gladly ship your replacement parts free of charge.

Call **01942 524100**

Date of Purchase

Lot Number



IMPORTANT - READ CAREFULLY - RETAIN FOR FUTURE REFERENCE

Warranty Information

Dorel UK warrants this product to be free from defects in material and workmanship and agrees to remedy any such defect. This warranty covers one year from the date of original purchase. This is solely limited to the repair or replacement of defective parts and assembly labor is not included.

This warranty does not apply to any product which has been improperly assembled, subjected to misuse or abuse or which has been altered or repaired in any way. Liability for consequential damages is excluded to the extent exclusion is permitted by law. This warranty gives you specific legal rights and you may also have other rights which vary from state to state.

To obtain warranty service, purchaser must present original bill of sale. Components repaired or replaced are warranted through the remainder of the original warranty period only. The defective components will be repaired or replaced without charge, subject to the terms and conditions described above.

Contact Us!

For help with assembly, identifying parts, product information or to order parts, please contact us:



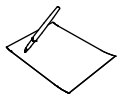
cseurope@dorel.com



01942 524100

Monday to Friday

9:00 am to 5:00 pm
(LondonTime)



Dorel Home Furnishings Europe Ltd

Building 4 Imperial Place

Maxwell Road

Borehamwood

Hertfordshire

WD6 1JN

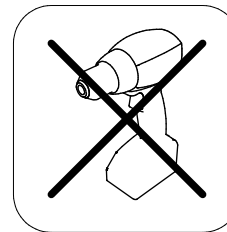
UK

Read Before Beginning Assembly

- Call our toll free number if you need assistance.
- Work in a spacious area and near where the unit will be used, preferably on a carpet, or use a piece of the cardboard packaging to protect your floor and product.
- Recommended # of people needed for assembly: **2** (however it is always better to have an extra hand). Estimated assembly time is **1 h 30 min**.
- Make sure all parts are included. Most parts are labeled or stamped on the raw edge.
- Read each step carefully. It is very important that each step of the instructions is performed in the correct order. If these steps are not followed in sequence, assembly difficulties will occur.

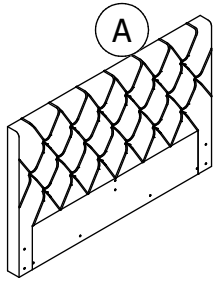
Caution

- This product is designed for home use and not intended for commercial use.
- This product contains small components. Please ensure that they are kept away from small children.
- Do not use power tools to assemble your furniture. Power tools may strip or damage the parts.

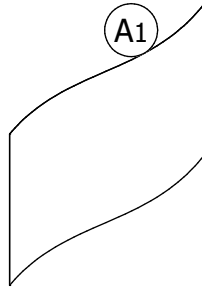


Parts

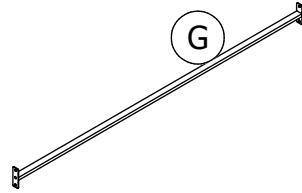
Replacement Parts, Call
01942 524100



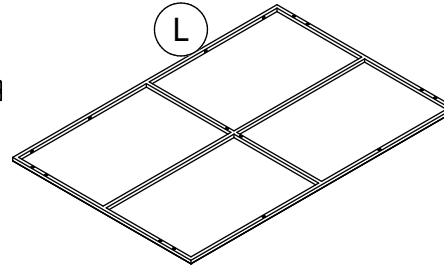
Headboard
X 1



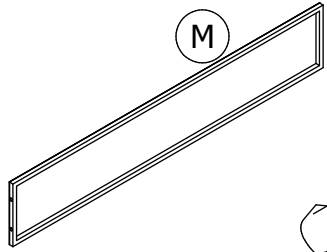
Back Panel
X 1



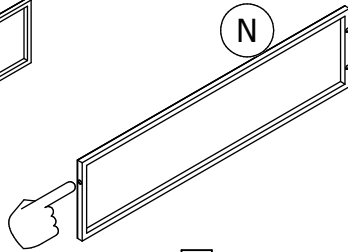
Support Rail
X 1



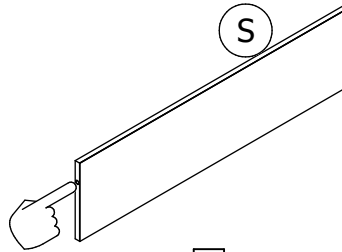
Drawer Bottom Panel
X 4



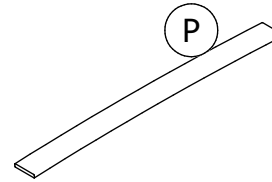
Drawer Back Panel
X 4



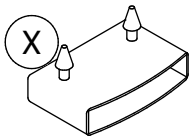
Drawer Side Panel
X 4



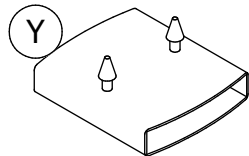
Drawer Side Panel
X 4



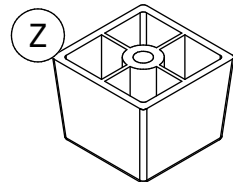
Wooden Slats
X 32



Single Slat Cap
X 32



Double Slat Cap
X 16



Leg
X 4



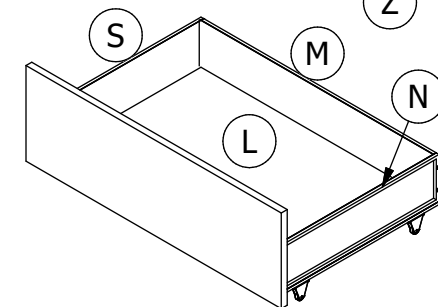
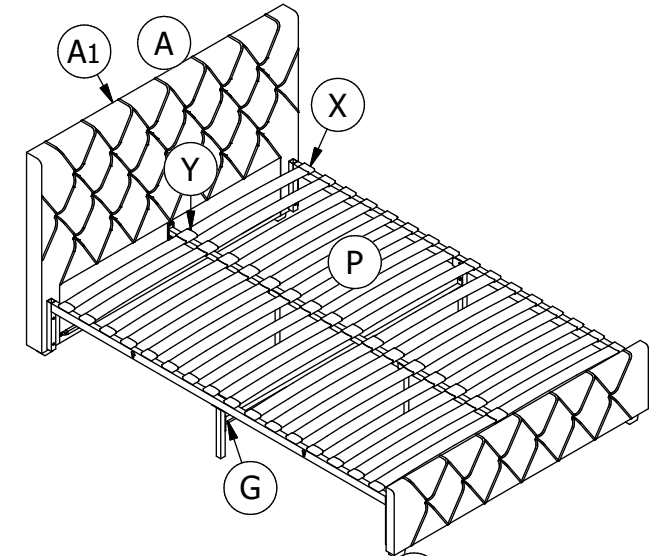
*This item is packed in 2 boxes!
All parts listed on this page are in **Box 1**.
If **Box 2** is missing please contact your Retailer.*



*There are inner box(es) that include components
required to complete this assembly.*

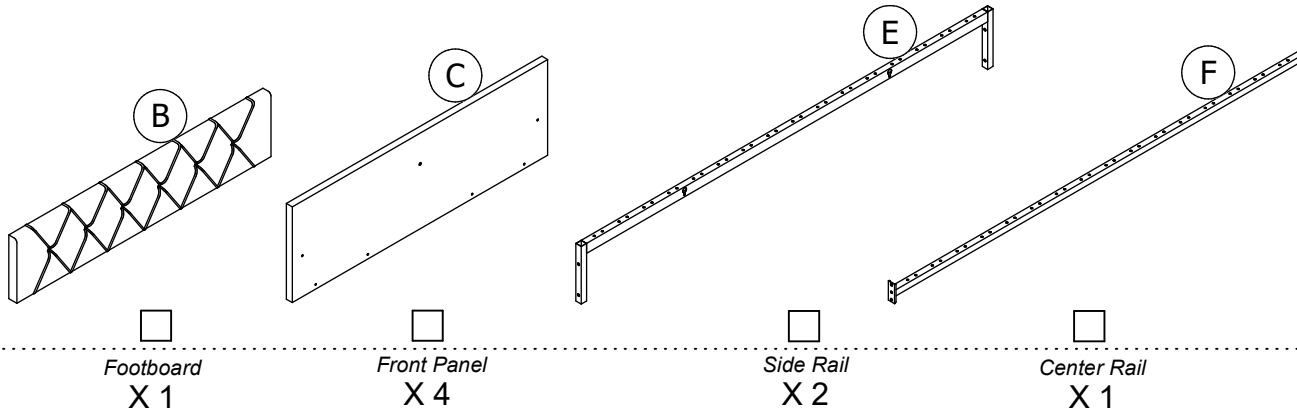


*Before you throw the package, please use the
Check Box to identify the parts and ensure that
you have all the parts needed for the assembly.*



Parts

Replacement Parts, Call
01942 524100



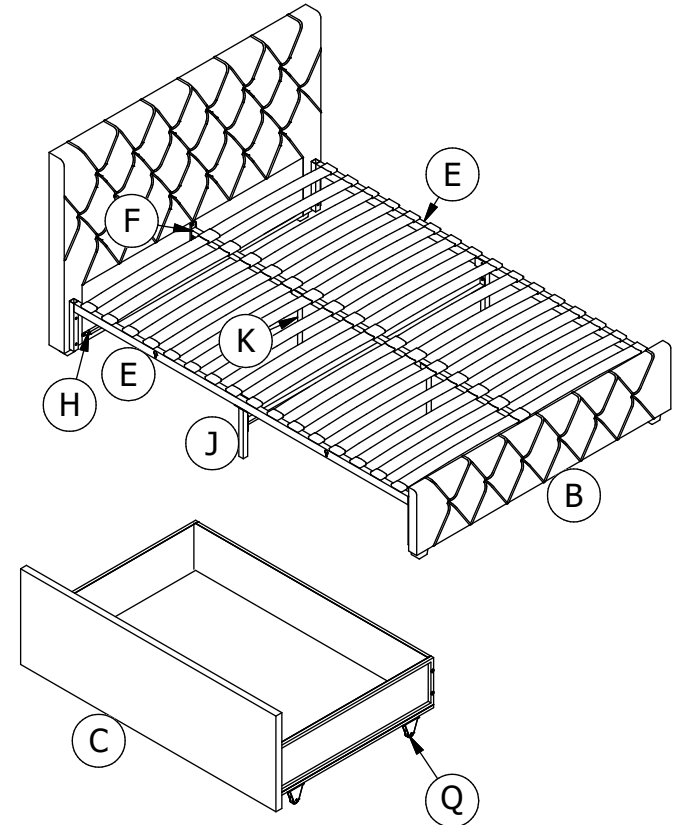
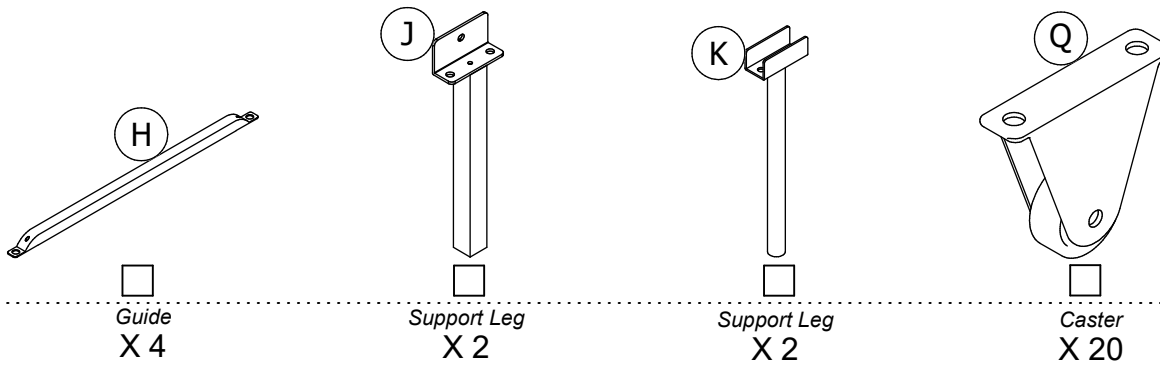
*This item is packed in 2 boxes!
All parts listed on this page are in **Box 2**.
If **Box 1** is missing please contact your Retailer.*



There are inner box(es) that include components required to complete this assembly.



Before you throw the package, please use the Check Box to identify the parts and ensure that you have all the parts needed for the assembly.

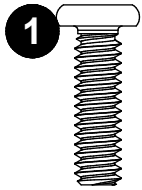


Parts

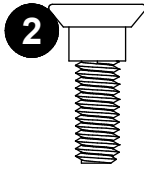
Replacement Parts, Call
01942 524100

IMPORTANT: Below part numbers list is unique to your product.
Please keep it on hand when calling for replacement parts.

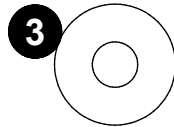
Part Number			
Part Label	4327429CLUK (Grey)	4457032CLUK (Black)	4458329CLUK (Ivory)
A	UK00031X	UK00036X	UK00039X
A1	T966250	T966250	T966250
B	UK00032X	UK00037X	UK00040X
C	UK00033X	UK00038X	UK00041X
E	UK00034X	UK00034X	UK00034X
F	UK00035X	UK00035X	UK00035X
G	T970890	T970890	T970890
H	T960430	T960430	T960430
J	T962150	T962150	T962150
K	T935880	T935880	T935880
L	T953380	T953380	T953380
M	T953390	T953390	T953390
N	T953400	T953400	T953400
P	T926770	T926770	T926770
Q	T953410	T953410	T953410
S	T953420	T953420	T953420
X	T926370	T926370	T926370
Y	T926380	T926380	T926380
Z	T965870	T965870	T965870



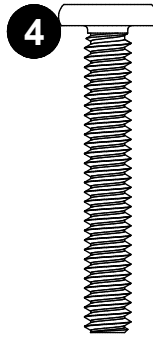
1/4" X 3/4"
X 26



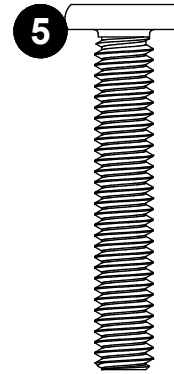
1/4" X 3/4"
X 4



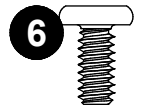
1/4"
X 4



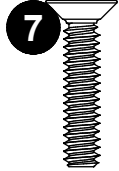
1/4" X 1 9/16"
X 8



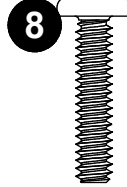
5/16" X 1 3/4"
X 4



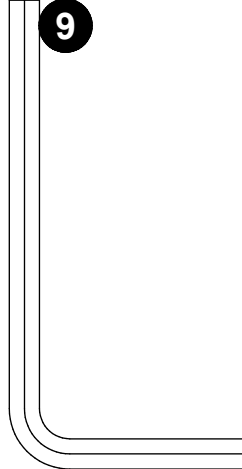
3/16 X 3/8"
X 8



3/16 X 7/8"
X 24



3/16 X 1"
X 56



4mm
X 1

Hardware Pack

Hardware Pack #: UK4327429CLUK-00



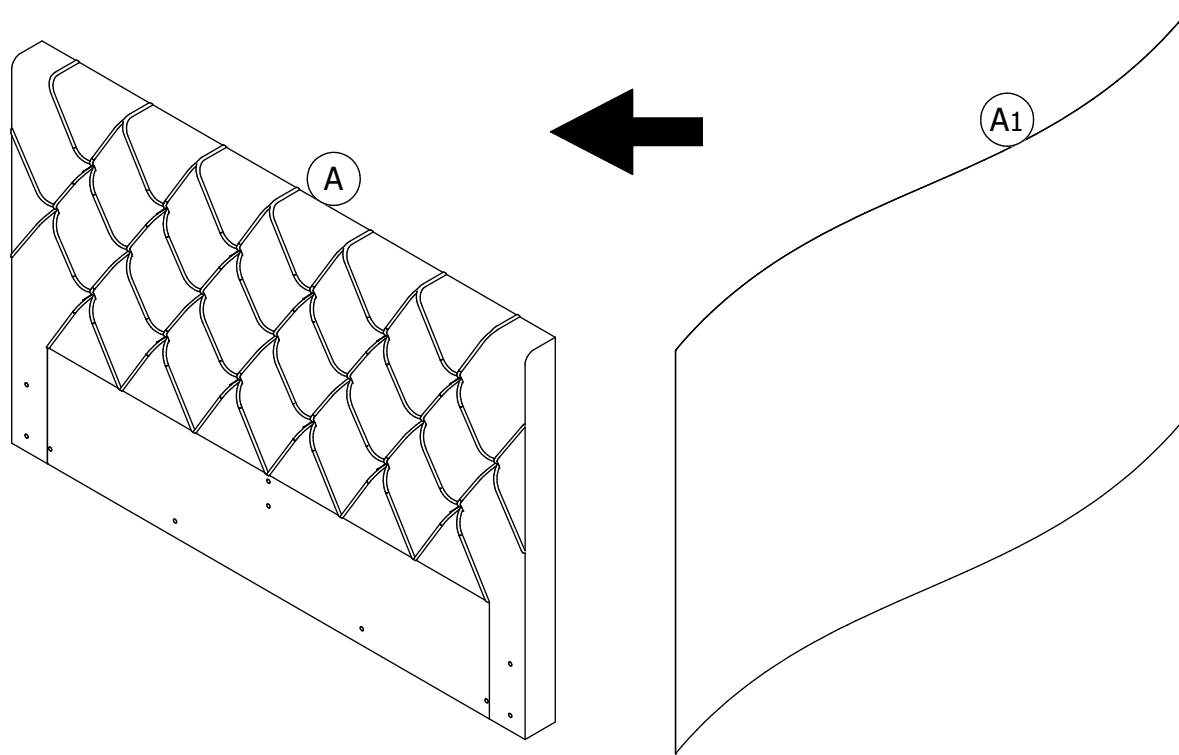
Please do not completely tighten all the hardware, until the entire assembly is complete, unless otherwise indicated in the step-by-step instructions.



The screw(s), bolt(s) to be used at each step are shown in actual size in the lower right corner of the page.

Step 1

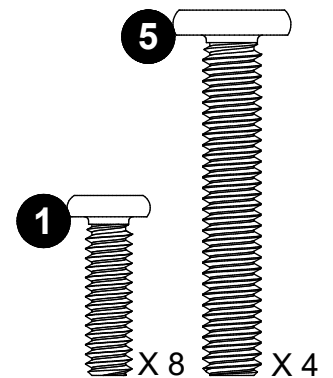
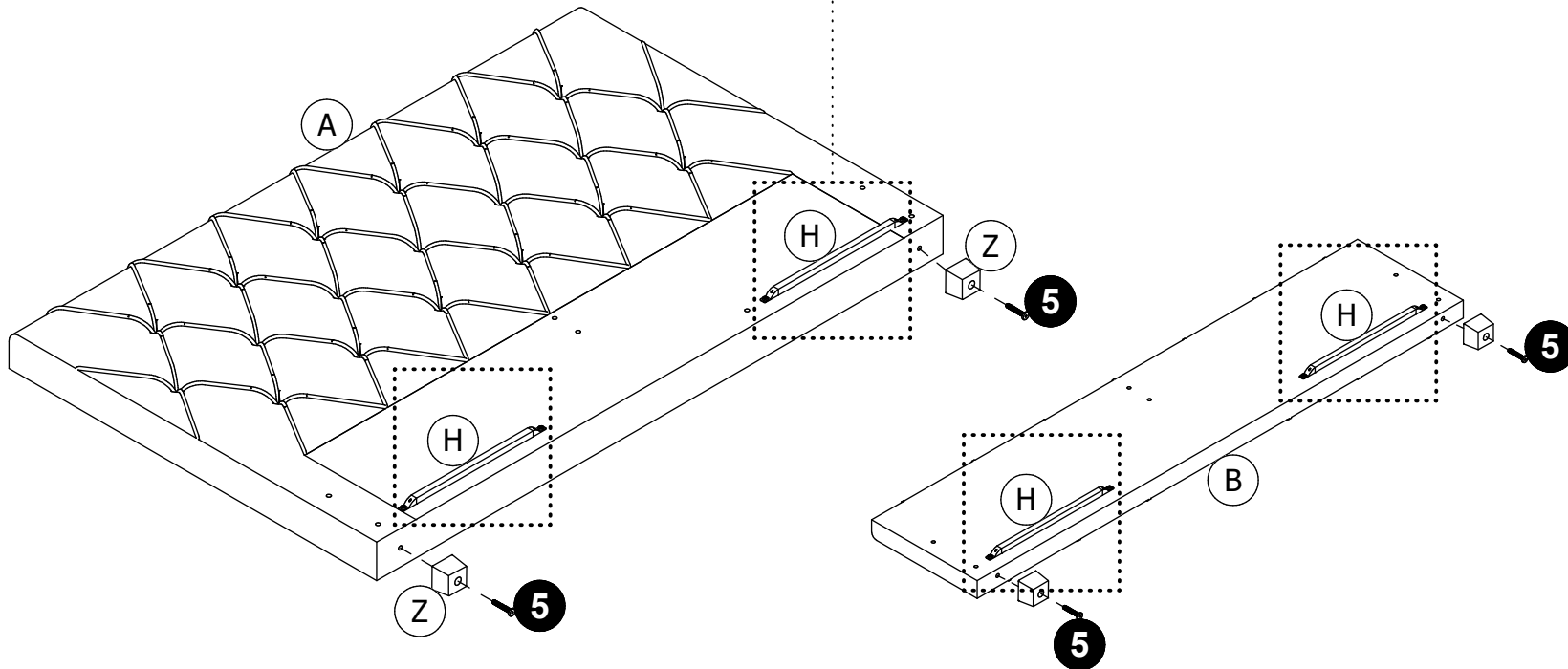
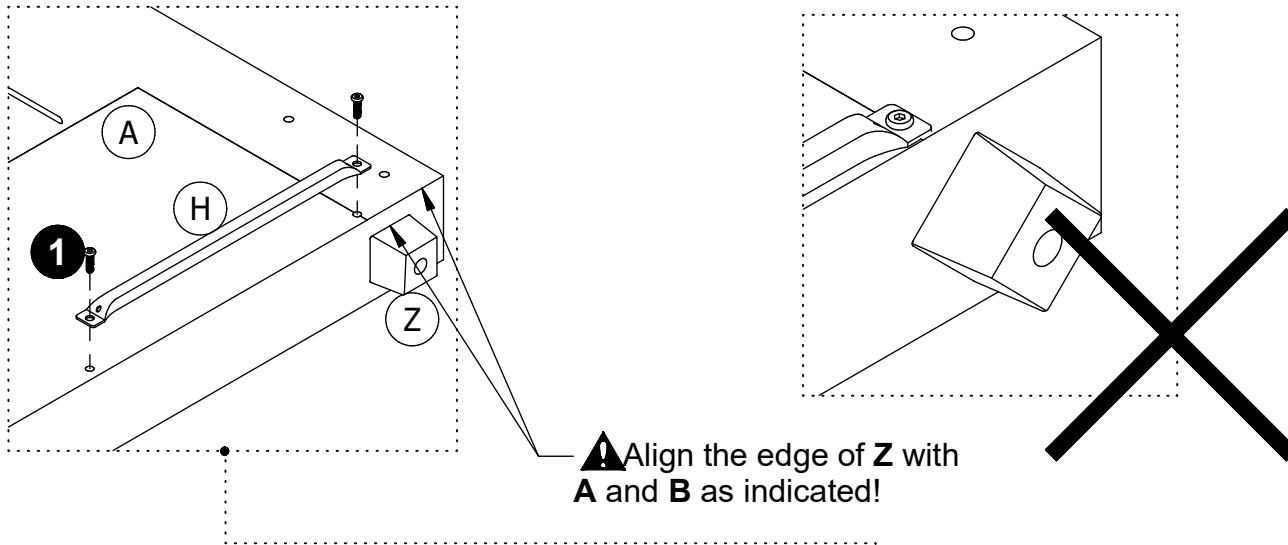
Stick **A1** to the back of **A** with Velcro as illustrated.



Step 2

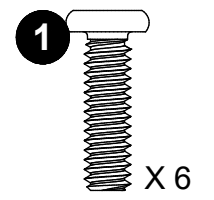
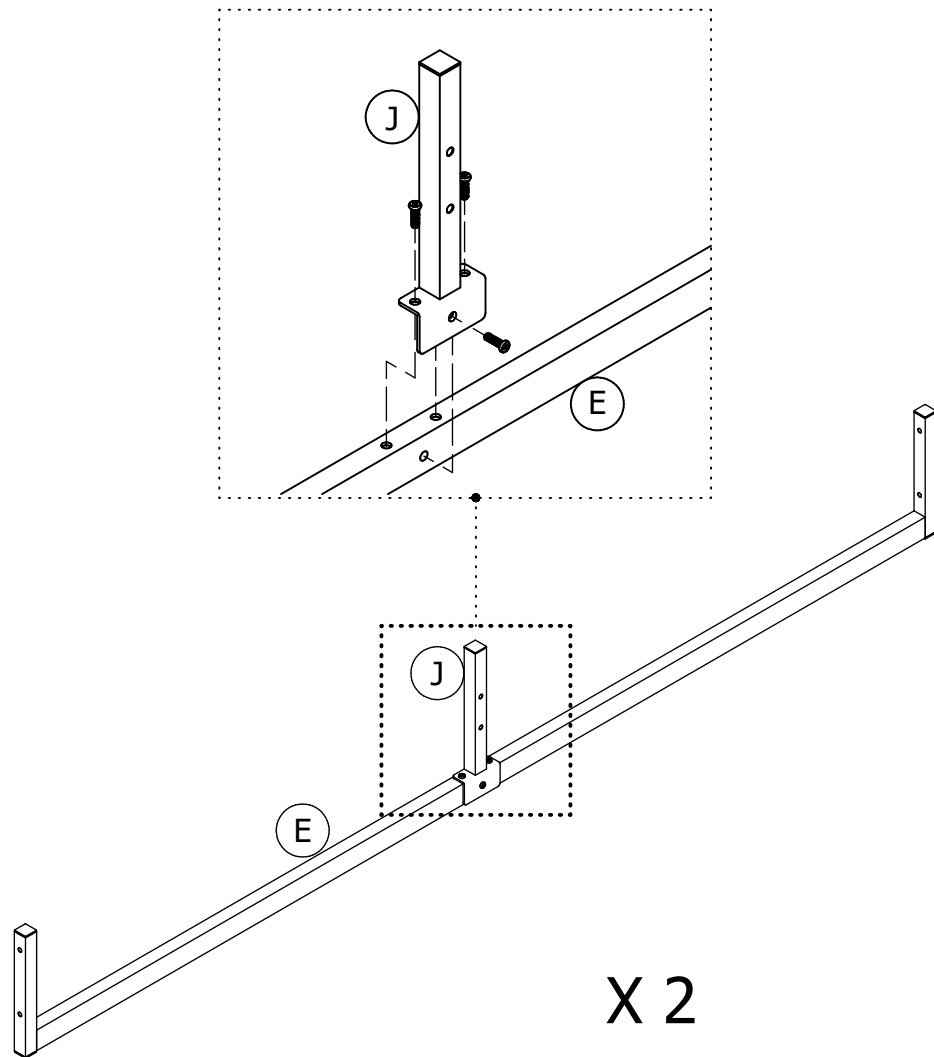
Attach **H X 4** to **A** and **B** with **1**.

Attach **Z X 4** to **A** and **B** with **5**.



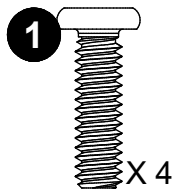
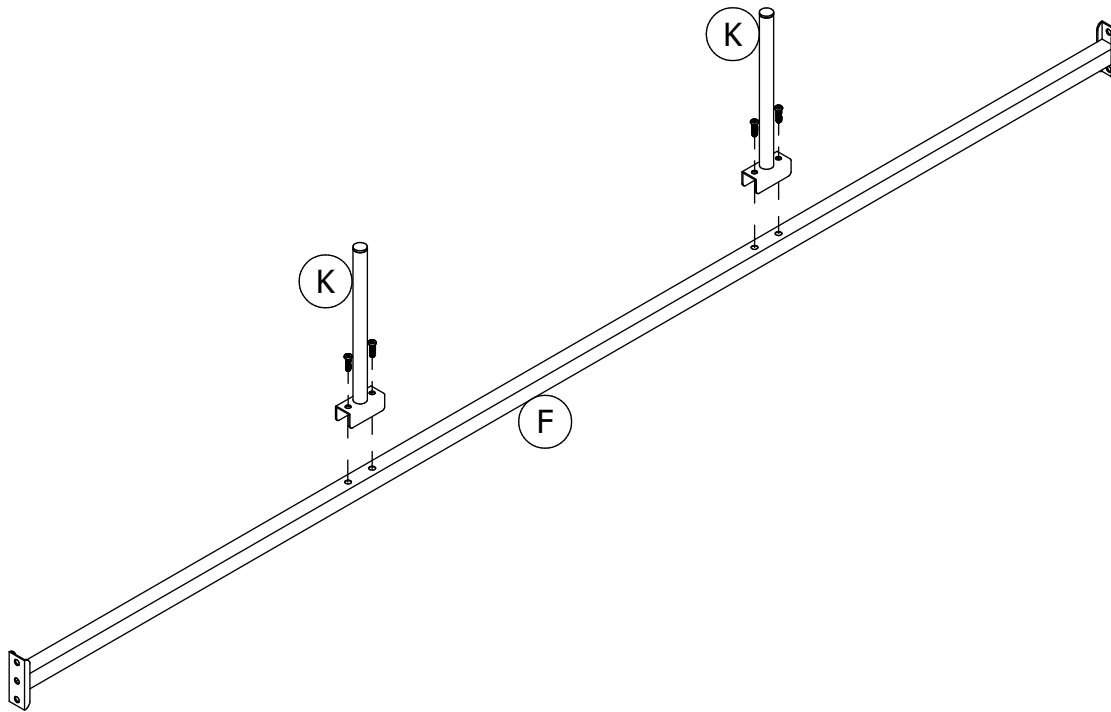
Step 3

Attach **J** to **E** with **1**.
Repeat the same procedure for remaining
part **J** and **E**.



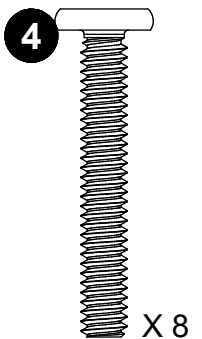
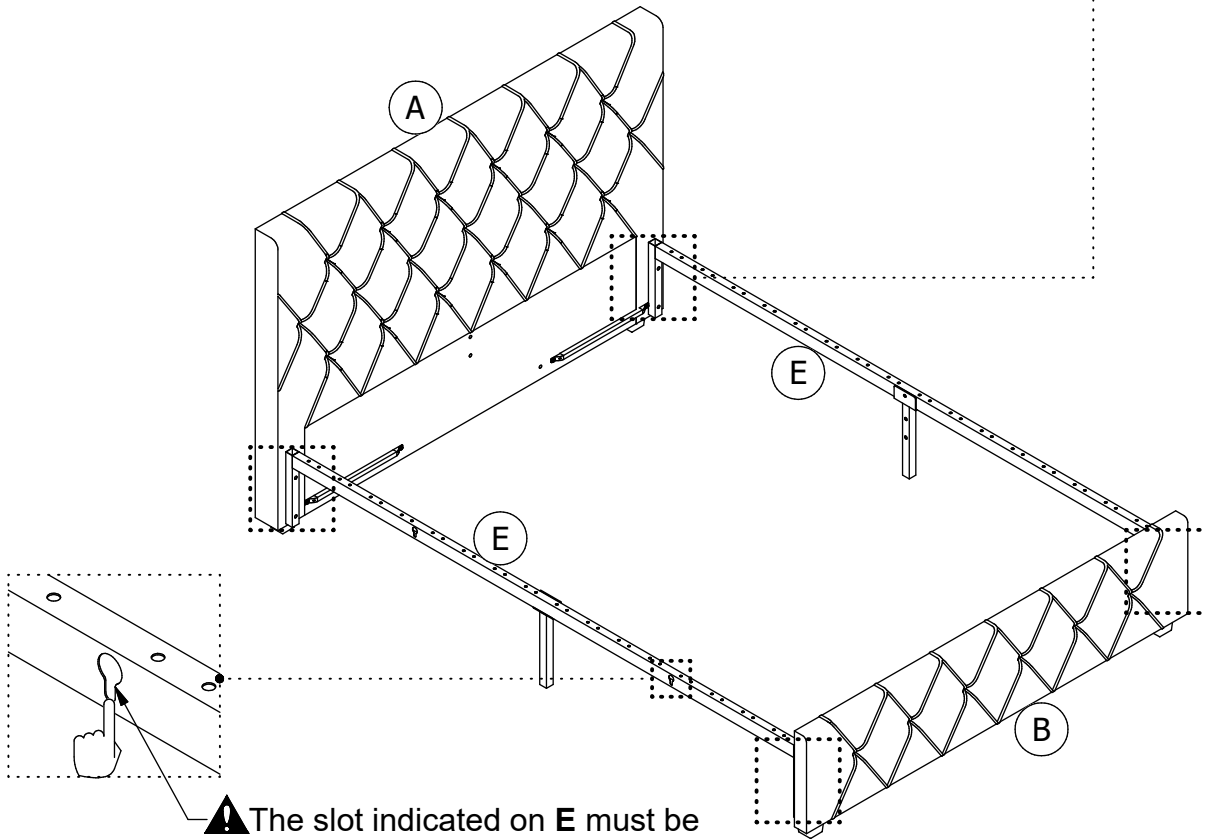
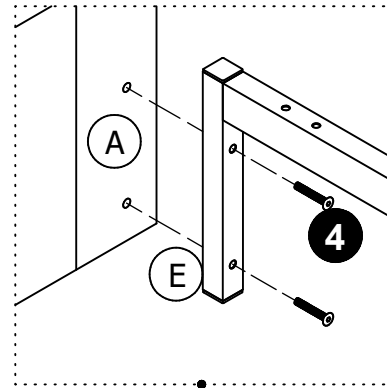
Step 4

Attach **K** X 2 to **F** with **1**.



Step 5

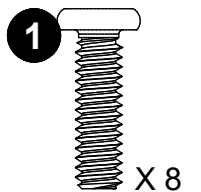
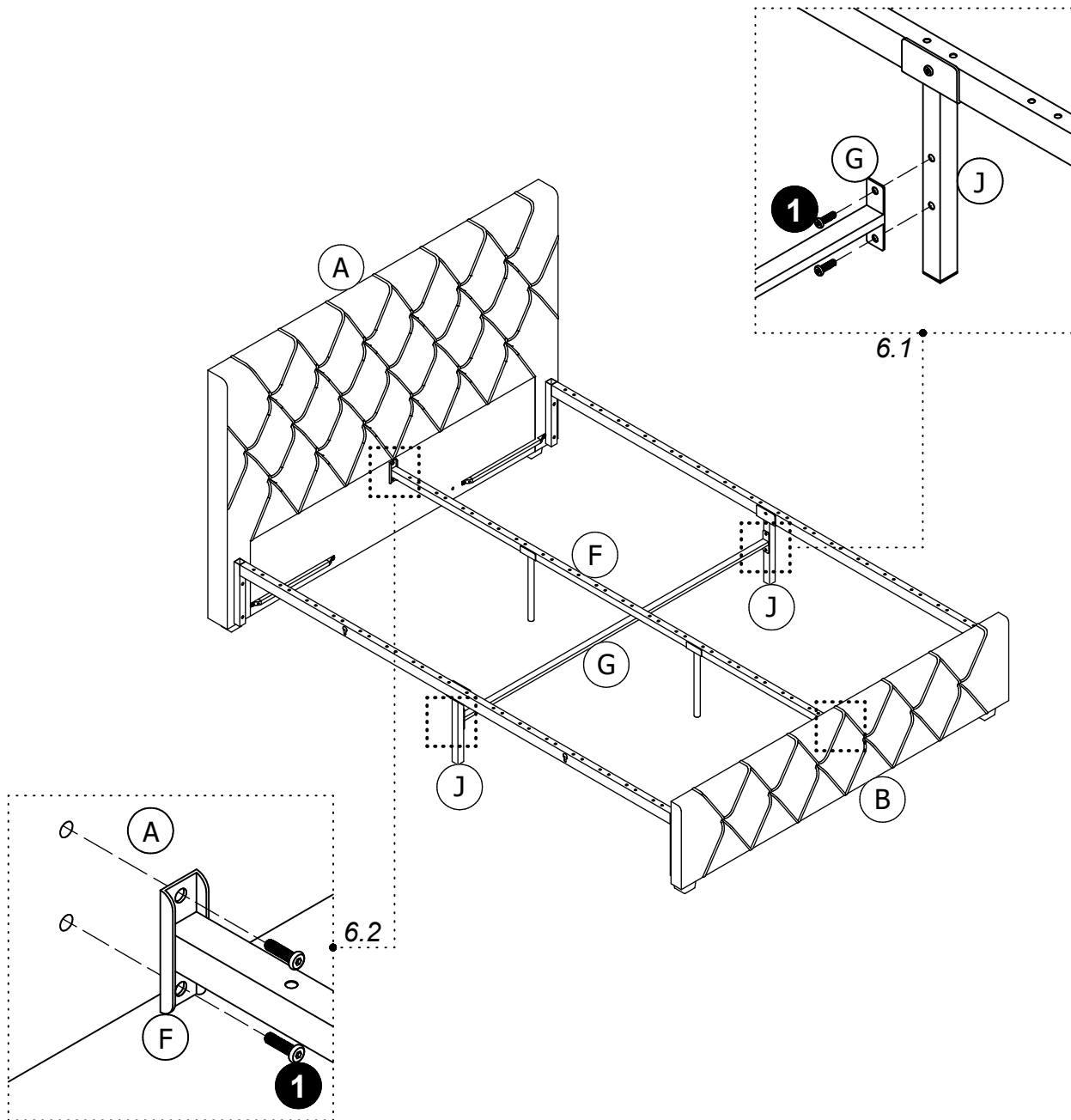
Attach **E** to **A** and **B** with **4**.

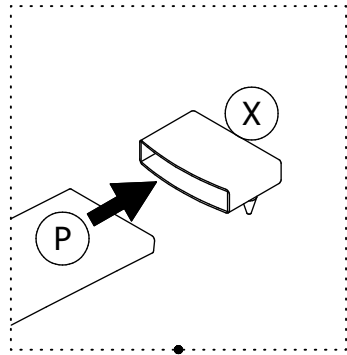


Step 6

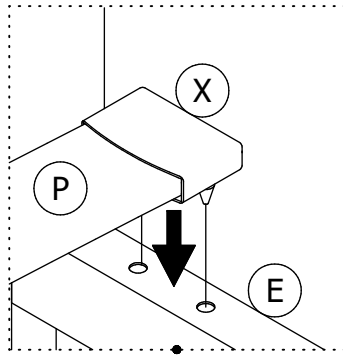
6.1 Attach **G** to **J** x 2 with **1**.

6.2 Attach **F** to **A** and **B** with **1**, then properly tighten all the bolts.

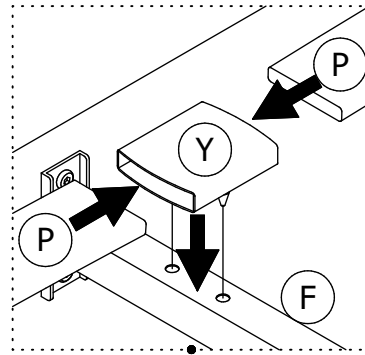




7.1



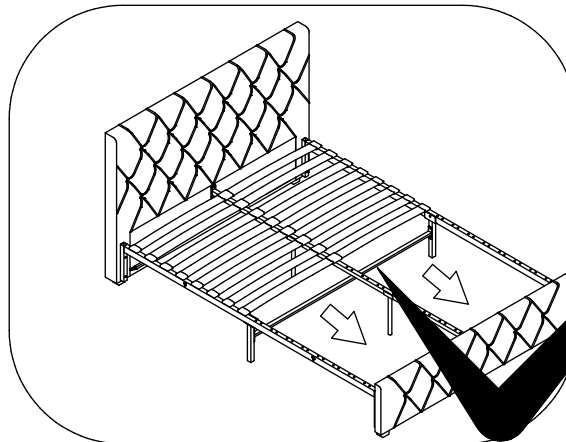
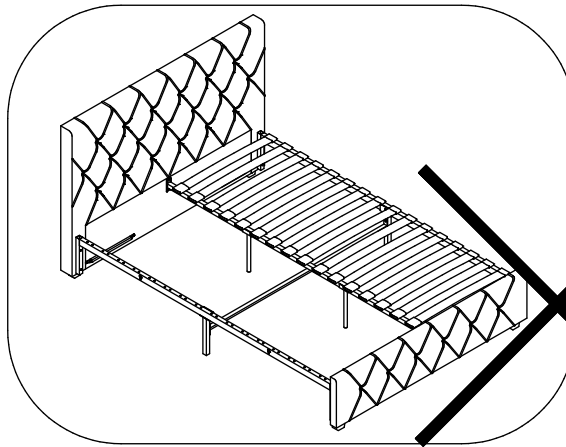
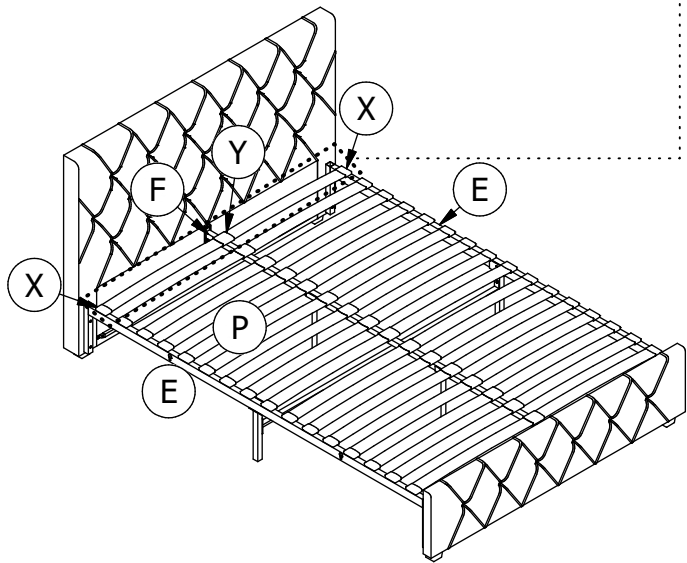
7.2



7.3

Step 7

- 7.1** Insert **P** into **X**,
7.2 Press **X** into **E**, repeat the same procedure for the opposite side of the bed with a new **P** and **X**.
7.3 Insert ends of both slats **P** into **Y**, then press **Y** into **F** as illustrated. Repeat the same procedures going backwards for every row of slats.



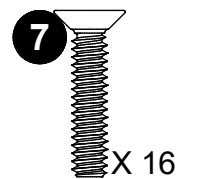
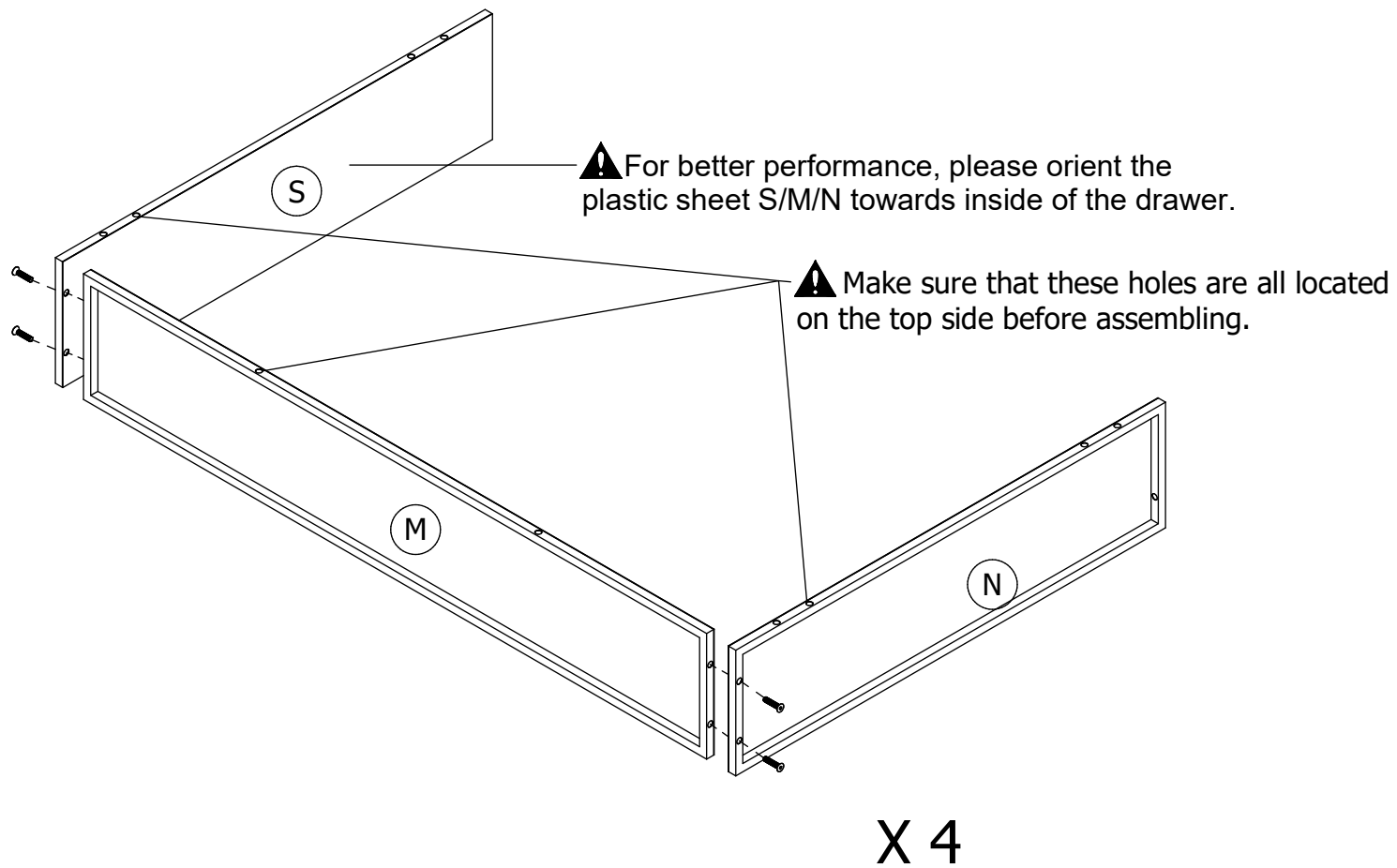
SLAT WARNING

▲ Correct: Slat curve should be facing upwards.

▲ Incorrect: Slat curve facing downwards.

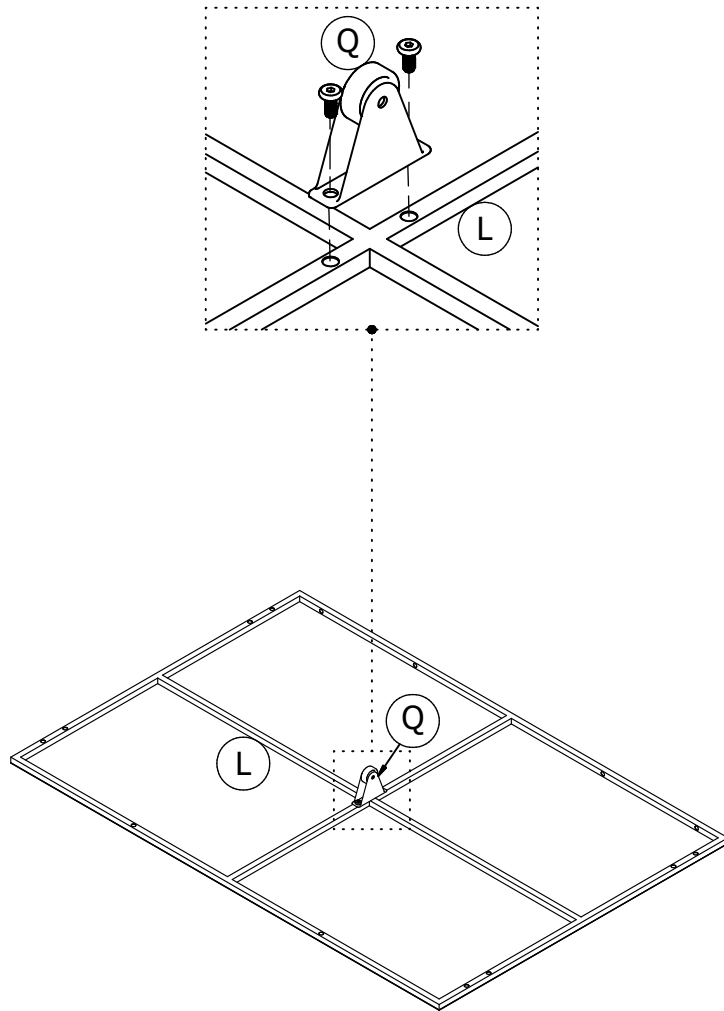
Step 8

Attach **M** to **S** and **N** with **7**.
don't completely tighten the bolts until **STEP 11** is complete.

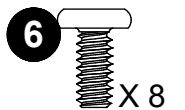


Step 9

Attach **Q** to **L** with **6**.



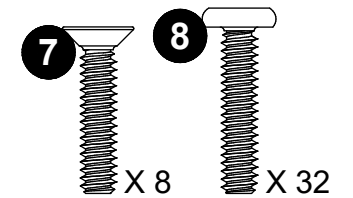
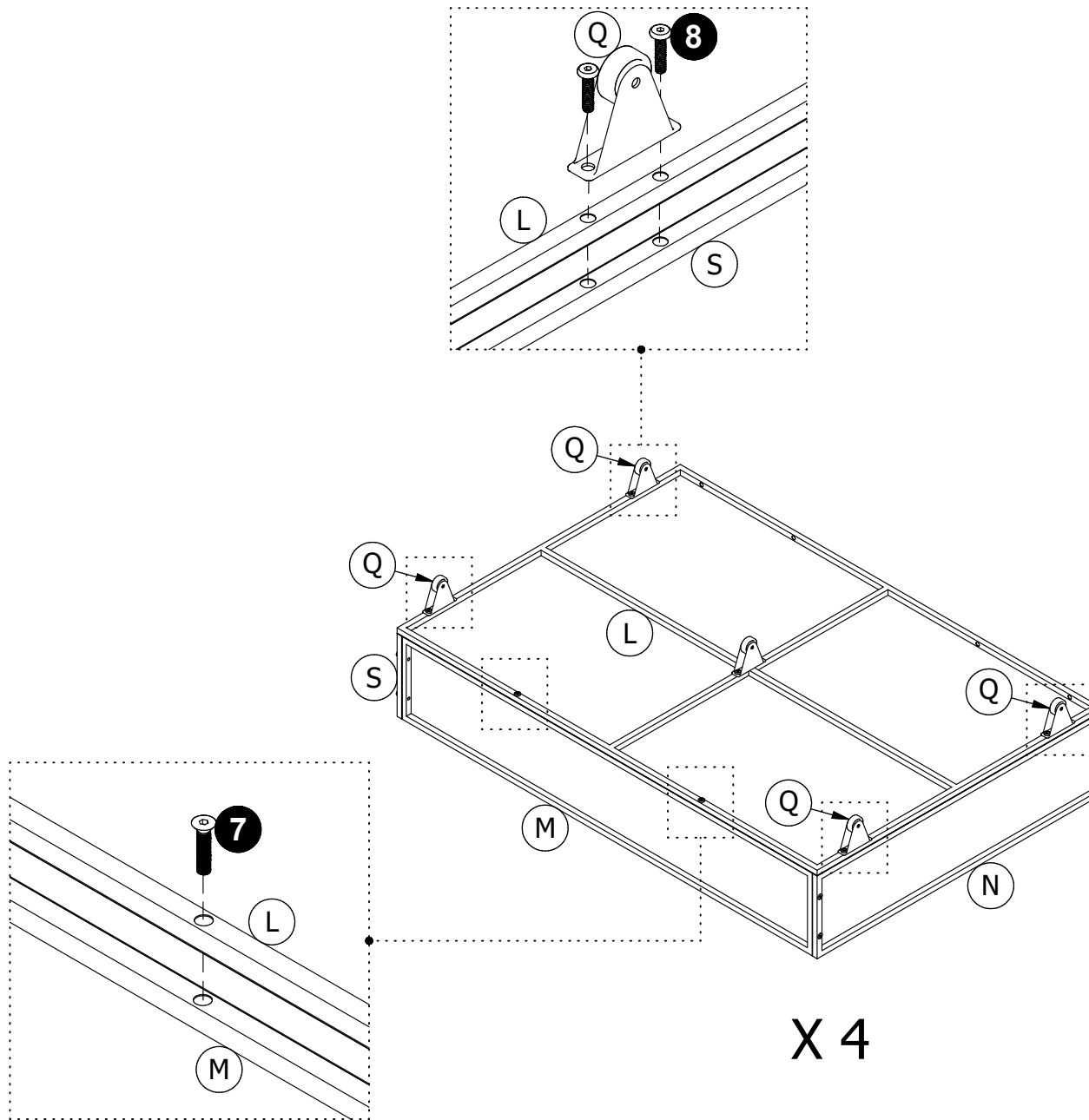
X 4



Step 10

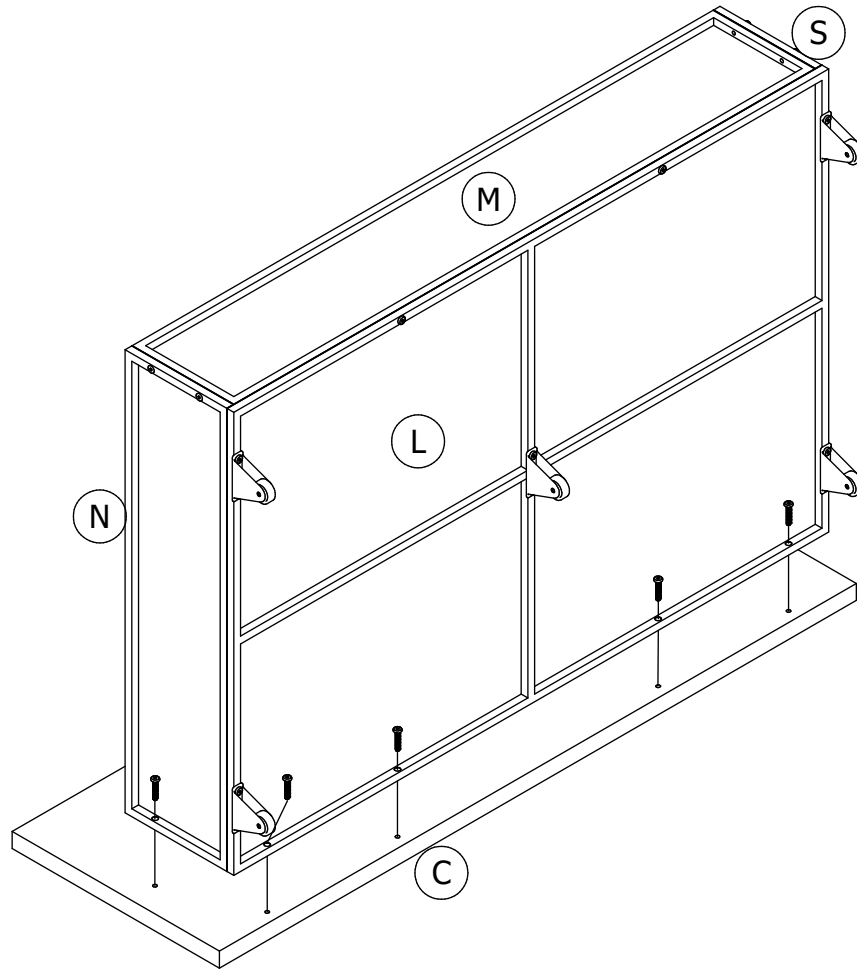
Attach **Q** X 4 and **L** to **S** and **N** with **8**.

Attach **L** to **M** with **7**.

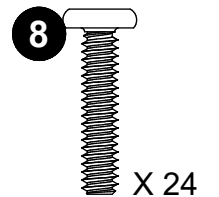


Step 11

Attach sub-assembly **L/S/N/M** from previous step to **C** with **8**, then properly tighten all the bolts.

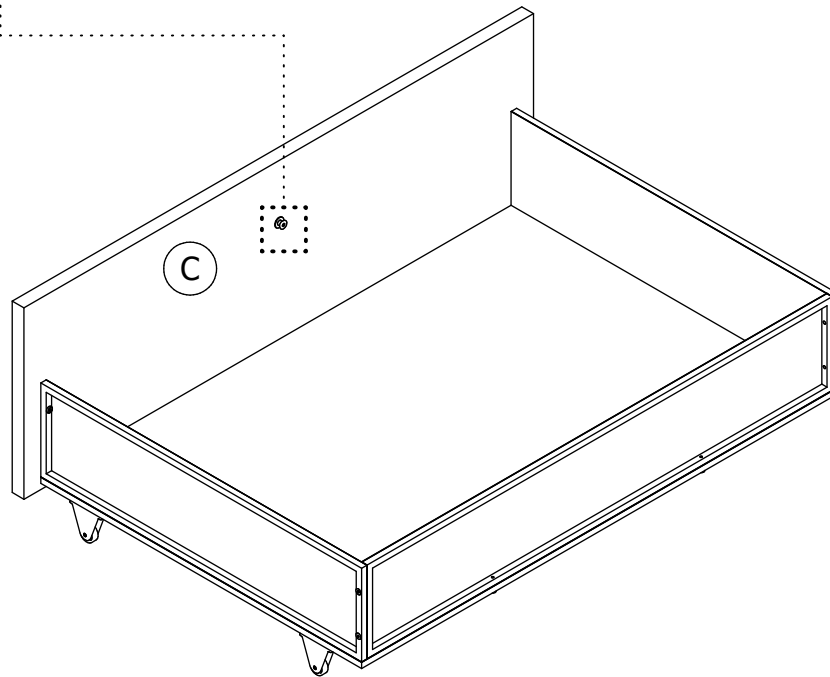
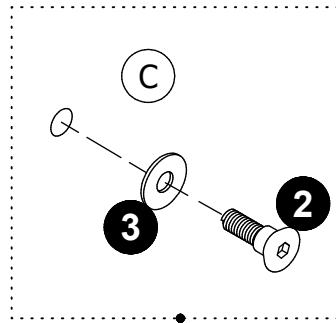


X 4

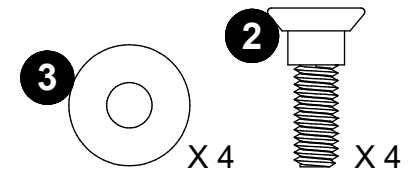


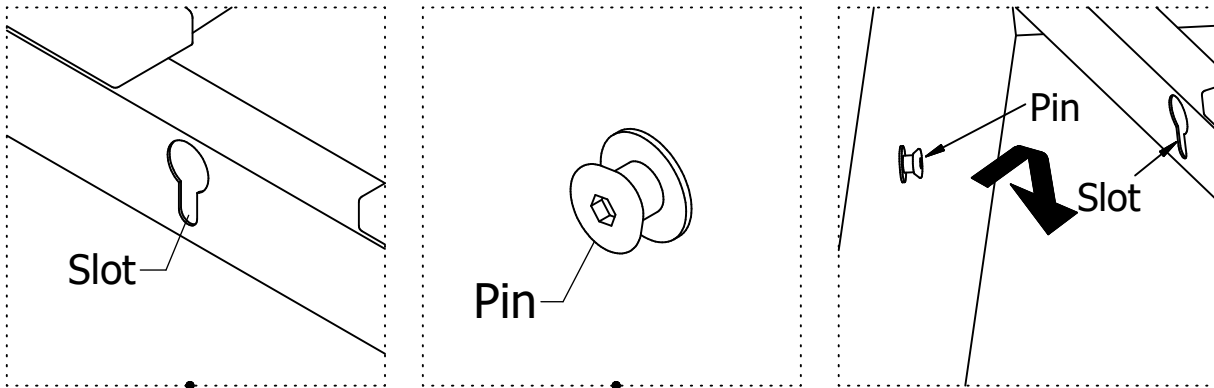
Step 12

Attach **2** and **3** to **C**.



X 4

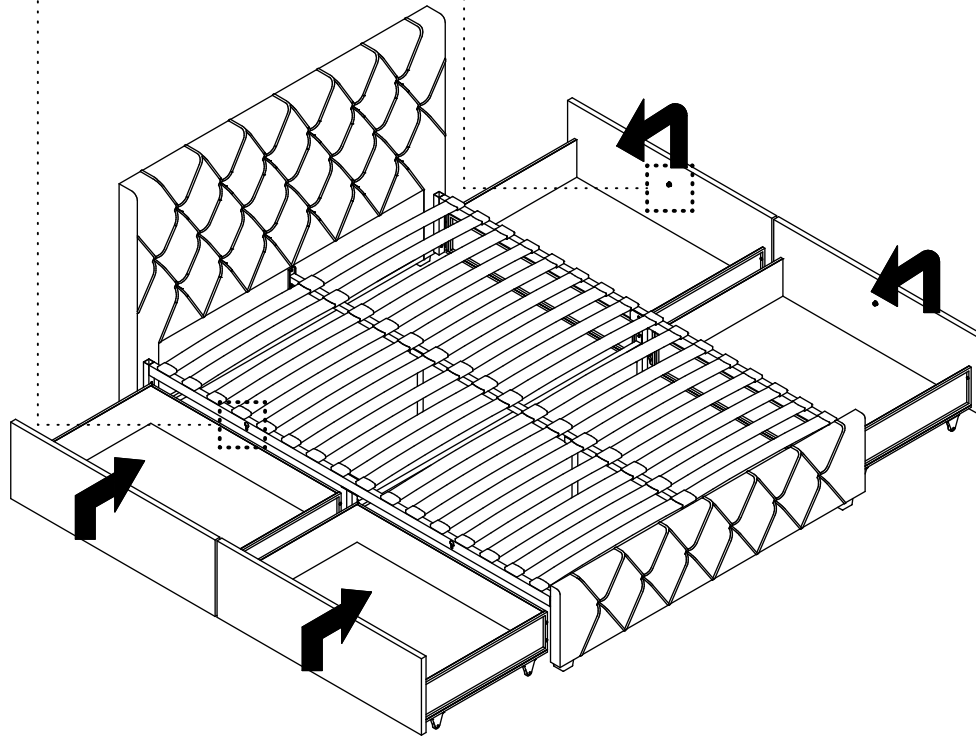




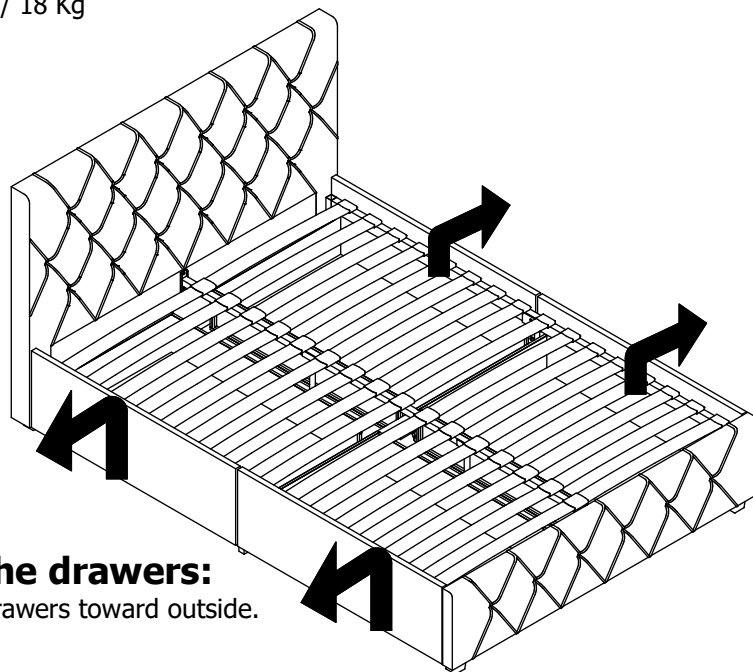
Step 13

Align Drawers with the bed frame and push them into the bed.

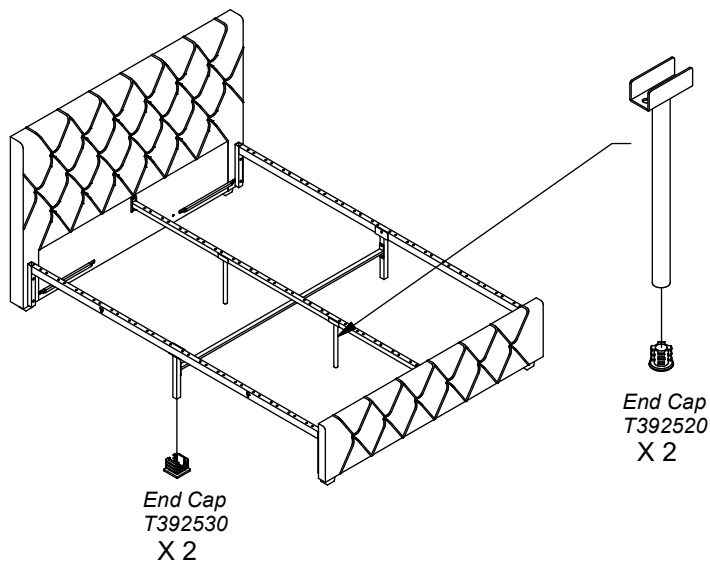
Lock drawers by slightly lifting drawer and inserting the **Pin** into the **Slot**.



- !** Weight Limit:
Bed: 450 Lb / 204 Kg
Drawer: 40 Lb / 18 Kg



To unlock the drawers:
Lift and pull the drawers toward outside.



Helpful Hints

- Move your new furniture carefully, with two people lifting and carrying the unit to its new location.
- Your furniture can be disassembled and reassembled to move.
- Some parts have been pre-assembled for this item. They are illustrated on this page and available for replacement.

! WARNINGS:

- For safety reasons and to prevent injuries:
- This bed is not intended for use by children under 4 years old.
 - Prohibit jumping and horseplay on this bed.
 - Only use a mattress which is **1900mm** long and **1350mm** wide.
 - Do not stand on drawers.
 - Do not use risers under this bed.

