

KY409 OTTOMAN BED

Thank you for your purchase. The following care instructions will allow you to make the most of your bed; helping to prolong the look and life of it by preventing wear and damage.

IMPORTANT INFORMATION

PLEASE ENSURE YOU READ THIS LEAFLET BEFORE USING YOUR BED. DO NOT DISCARD OF ANY PACKAGING UNTIL YOU HAVE CHECKED THE PRODUCT THOROUGHLY.

This bed can be assembled as and END LIFT OR SIDE LIFT OTTOMAN, please ensure you follow the correct steps for your desired lift.

CARING FOR YOUR BED

- Pre-brush any fabric with a soft brush and then gently vacuum.
- Use a microfibre cloth to remove dust from wooden surfaces.
- In the event of a spill or stain, use specialist cleaning services.

SUNLIGHT AND HEAT DAMAGE

- Avoid contact with direct sunlight. If needed, move items or change their position to avoid the same area being exposed to repeated sunlight/heat.
- Do not place your bed close to fire places and/or radiators.
- Hot objects such as mugs/plates can permanently mark fabric and wood, avoid placing these on the bed.
- Do not allow children or pets to climb or jump on the bed.
- Avoid contact with sharp objects such as buckles, toys and jewellery as these can easily snag, tear, pull and/or scratch the fabric/wood.

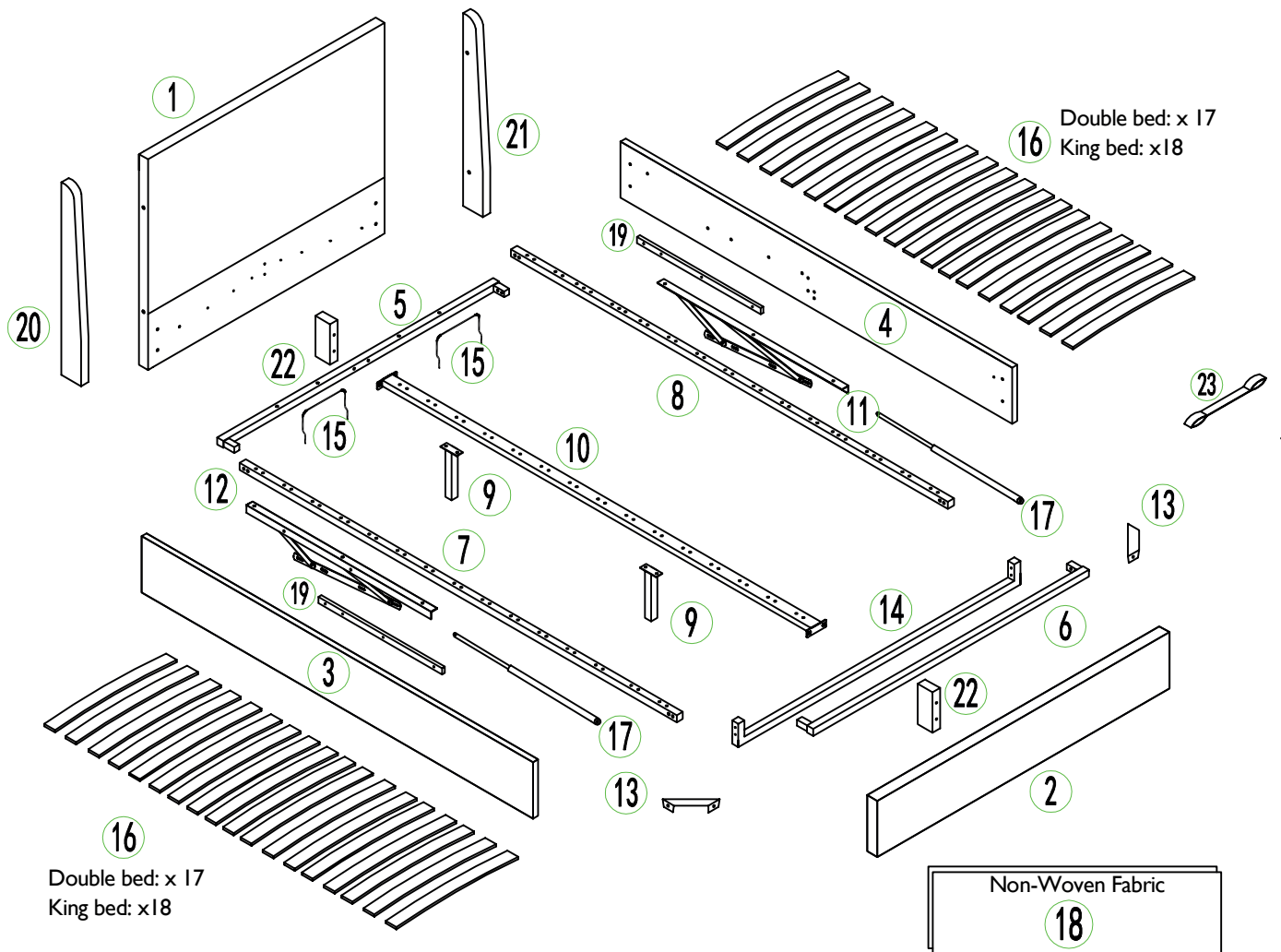
HARDWARE LIST

Label	Picture	Description	Qty	Label	Picture	Description	Qty
A		Single Plastic Cap	34/36	H		Bolt M6x20	4
B		Double Plastic Cap	17/18	G		Bolt M8x40	4
C		Bolt M8x20	16	L		Connection Plate Left	2
E		Bolt M6x70	4	R		Connection Plate Right	2
I		Washer M8	12	M		Bolt M8x35	8
F		Nut	4	N		Bolt M8x15	22
D		Bolt M6x35	4				

TOOL LIST

Label	Picture	Description	Qty
T-2		Allen key M5	1
T-3		Allen key M4	1
T-4		Spanner	1

COMPONENTS / PARTS

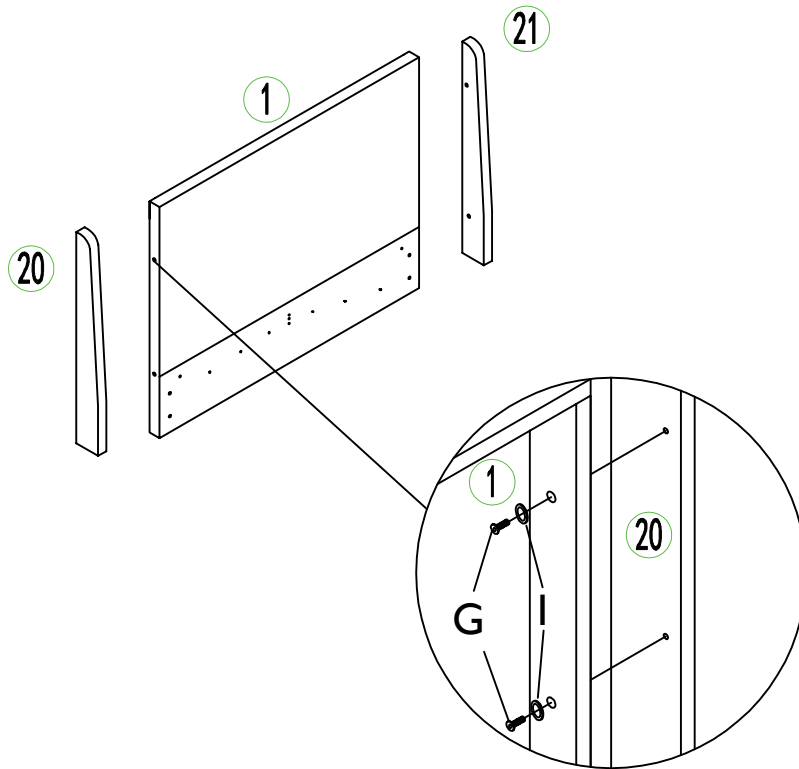


Once you have completed Steps 1 to 2, choose whether you would like END LIFT or SIDE LIFT ottoman.

For END LIFT OTTOMAN, go to Page 4.

For SIDE LIFT OTTOMAN, go to Page 6.

Step 1



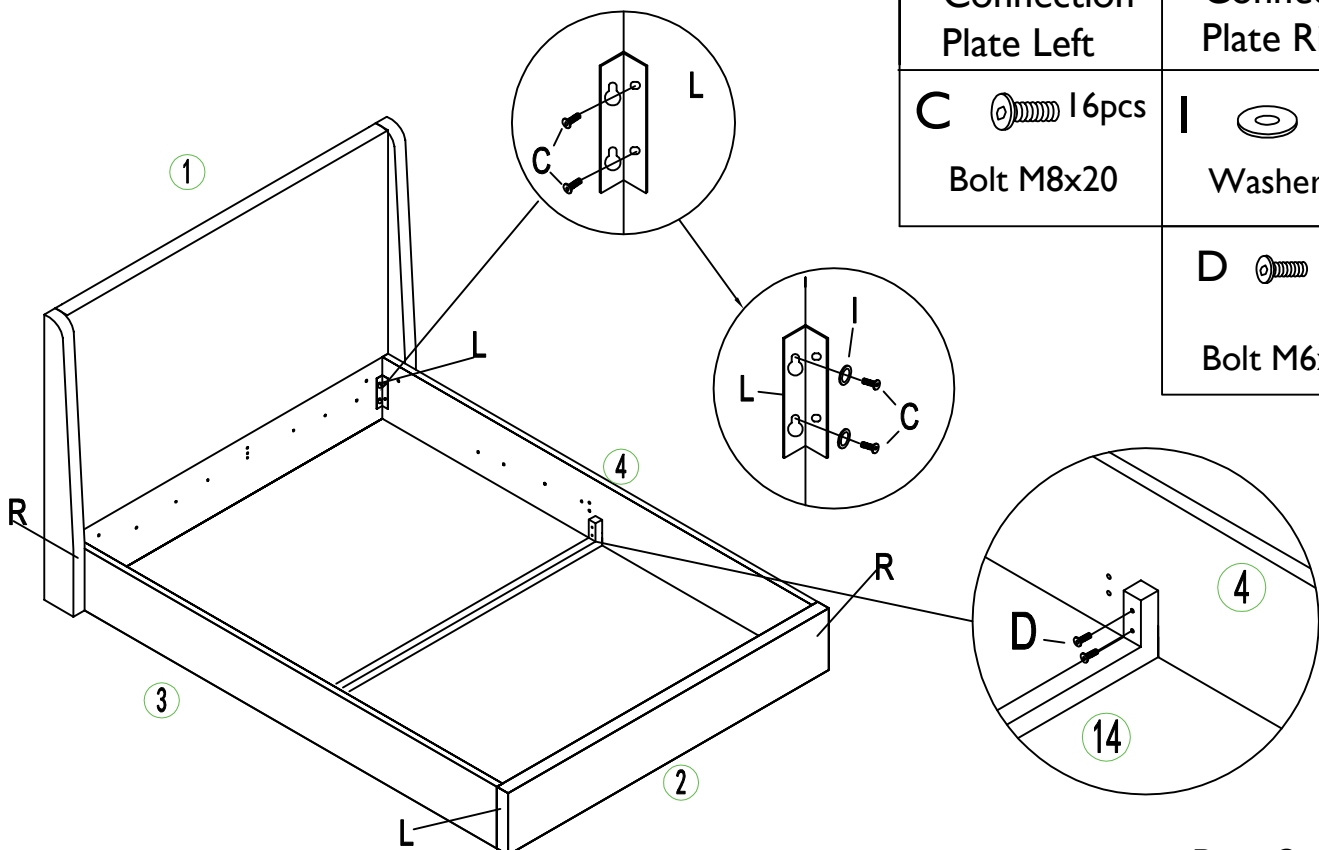
G  4pcs

Bolt M8x40

I  4pcs

Washer M8

Step 2




L  2pcs
Connection
Plate Left

R  2pcs
Connection
Plate Right

C  16pcs
Bolt M8x20

I  8pcs
Washer M8

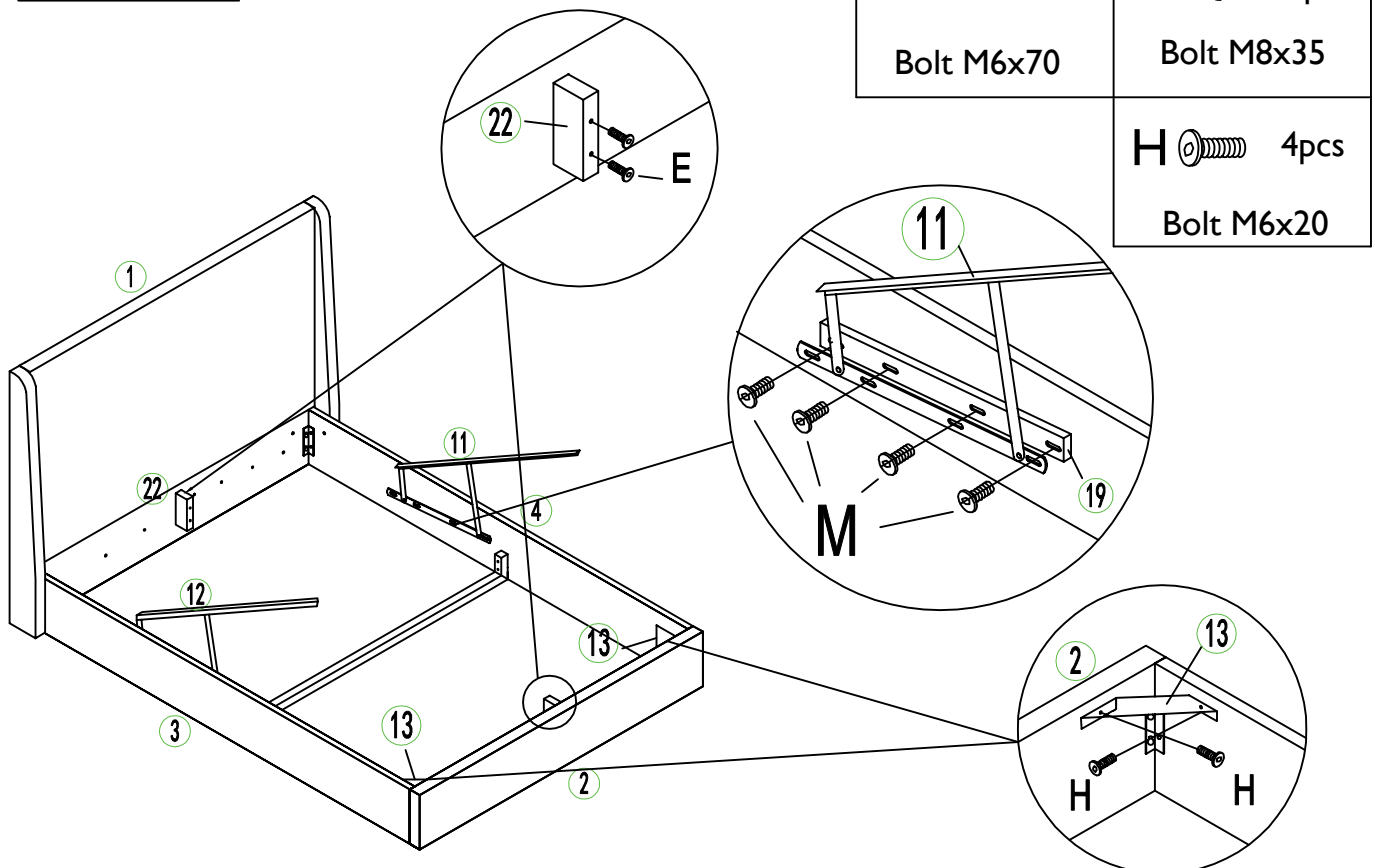
D  4pcs
Bolt M6x35

END LIFT OTTOMAN

Once completed go to Page 10, to complete assembly.

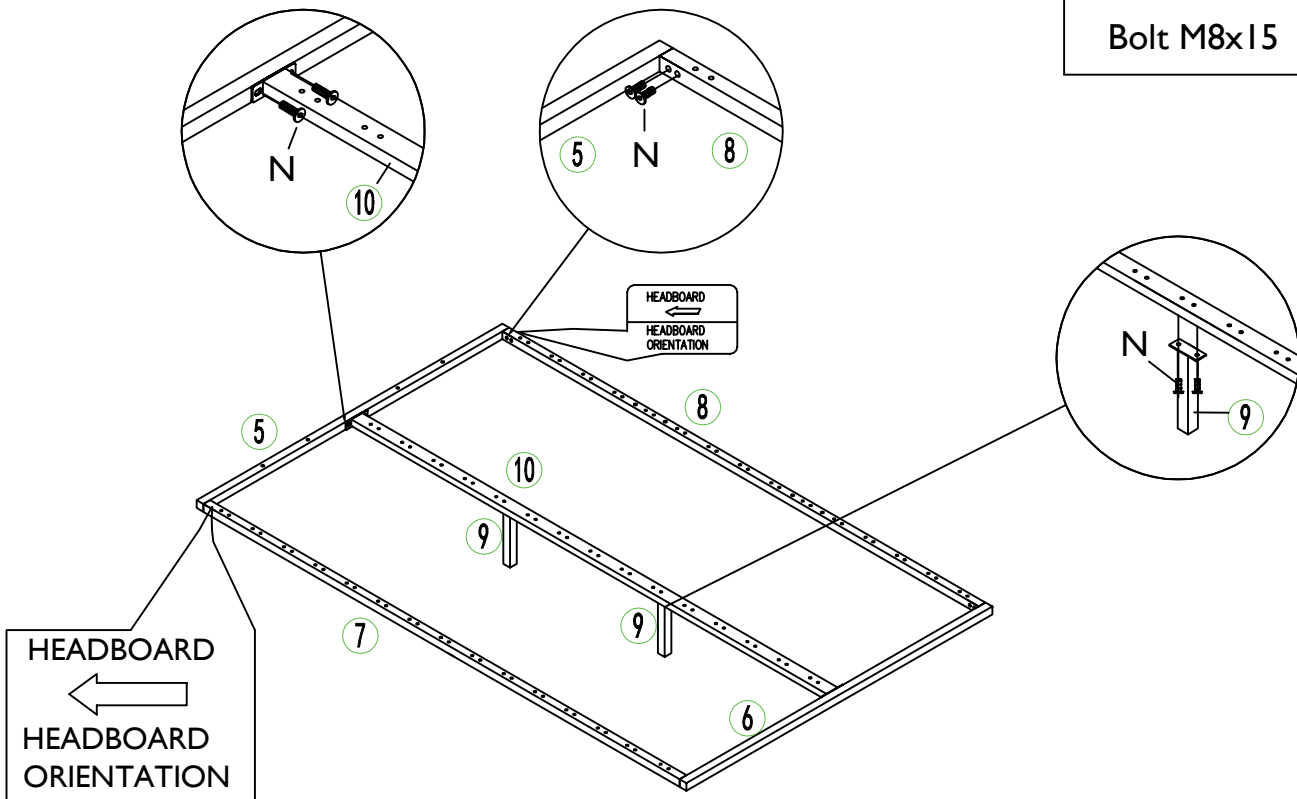
For SIDE LIFT OTTOMAN, go to Page 6.

Step E1




Step E2

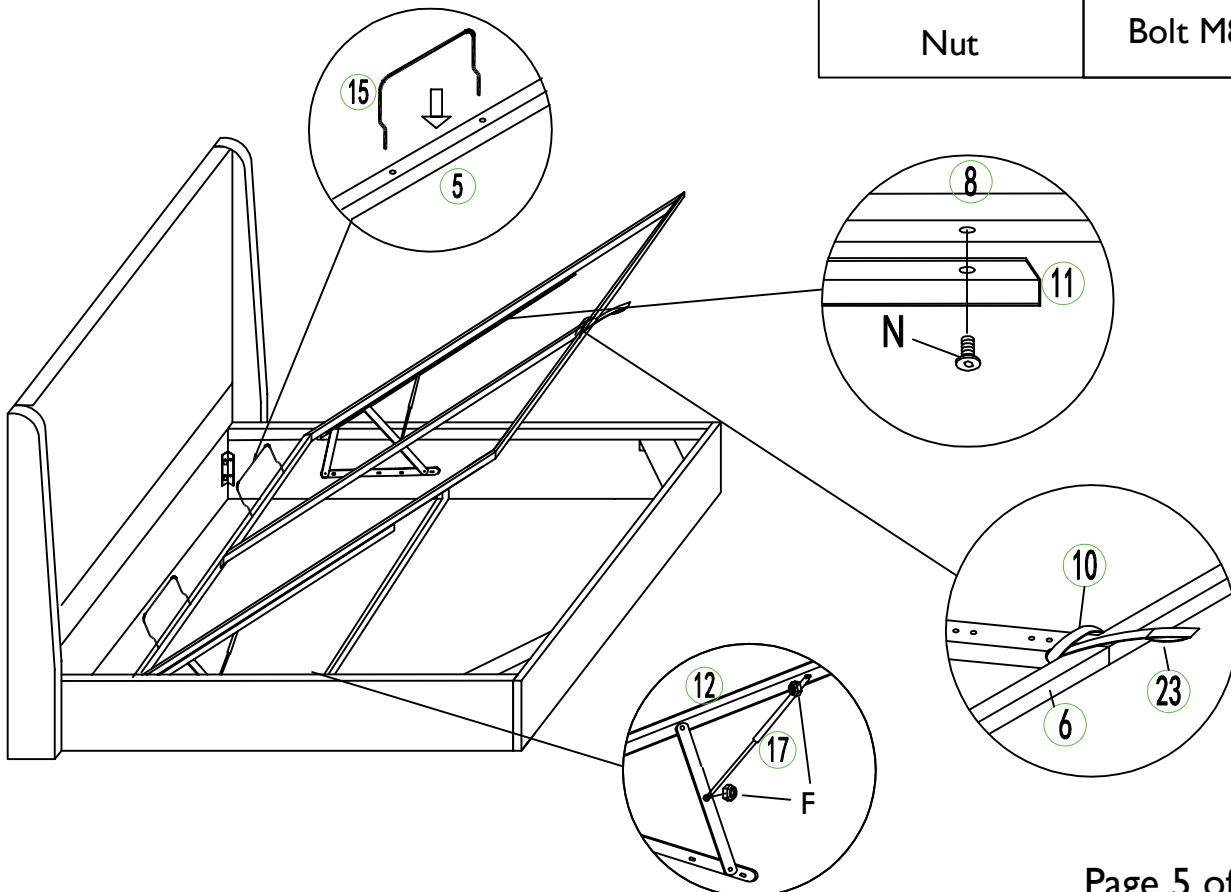
N  16pcs
Bolt M8x15



Step E3

F  4pcs
Nut

N  6pcs
Bolt M8x15



SIDE LIFT OTTOMAN

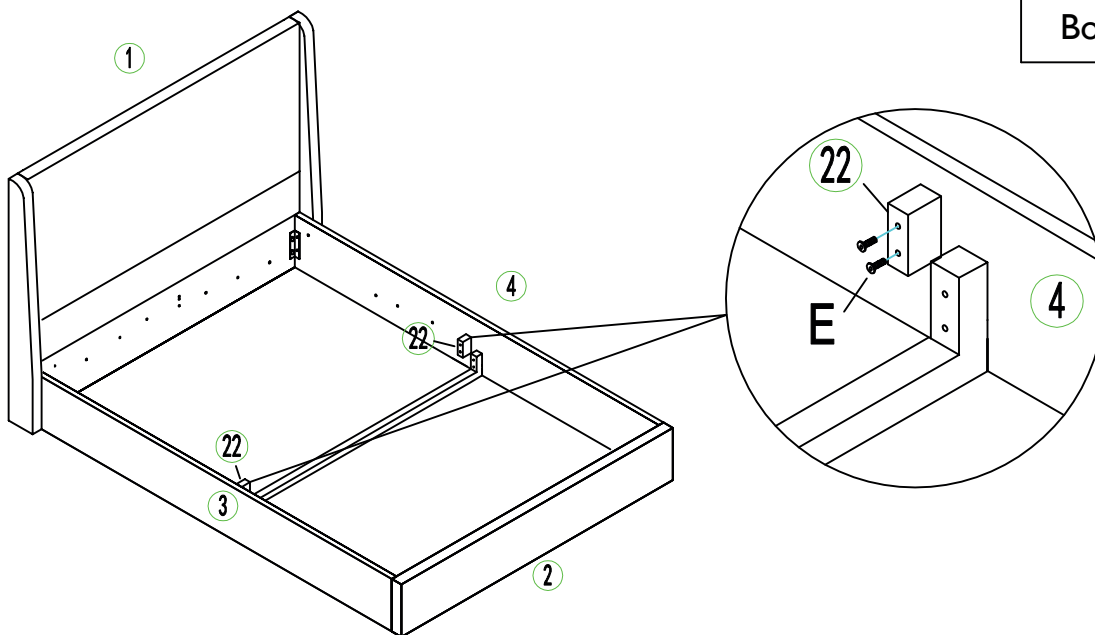
Once completed go to Page 10, to complete assembly.

For END LIFT OTTOMAN, go to Page 4.

Step S1



E  4pcs

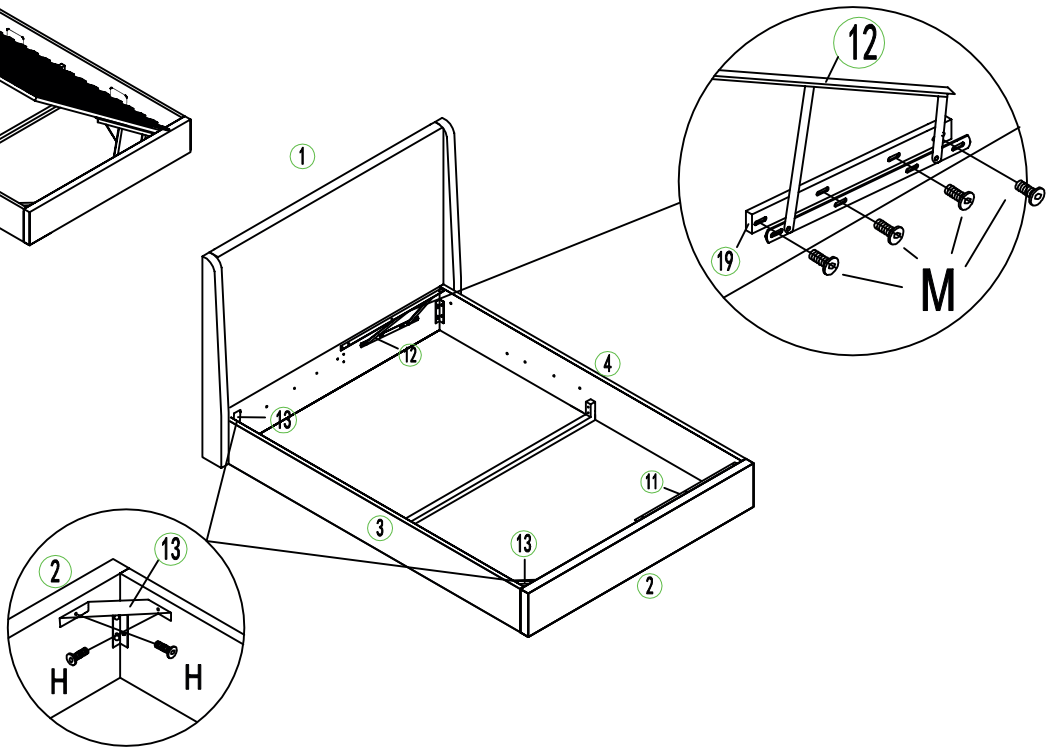
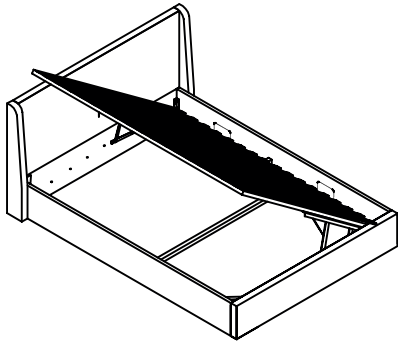
Bolt M6x70



Step S2

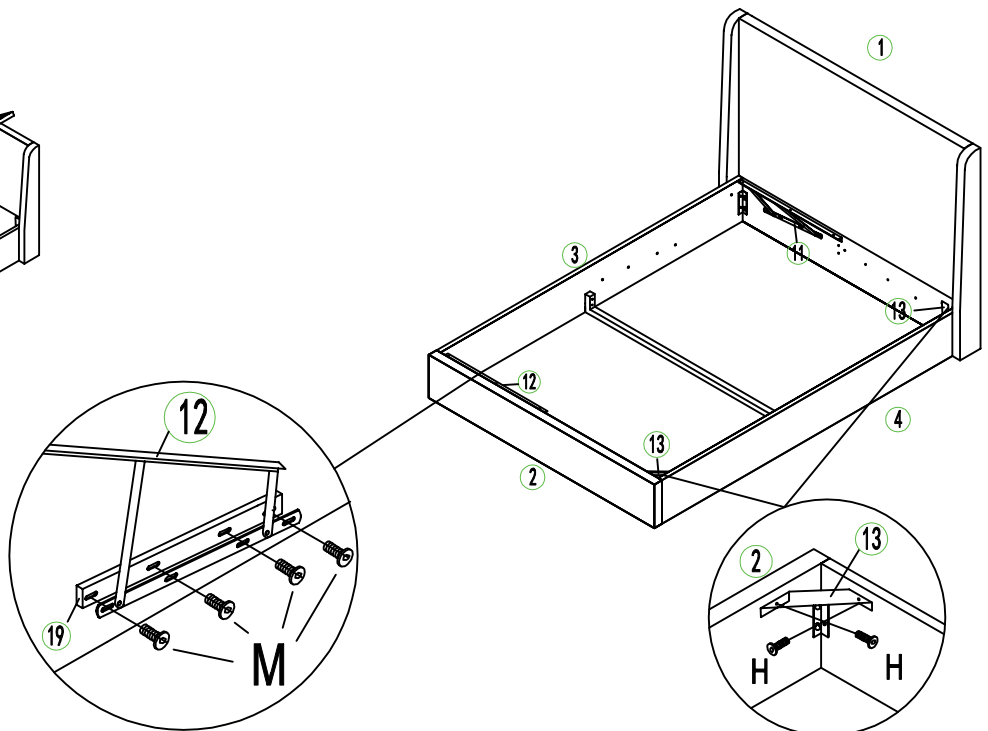
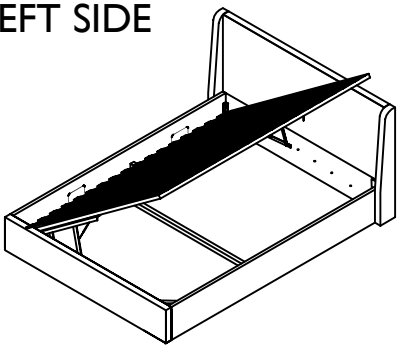
RIGHT SIDE

H  4pcs	M  8pcs
Bolt M6x20	Bolt M8x35



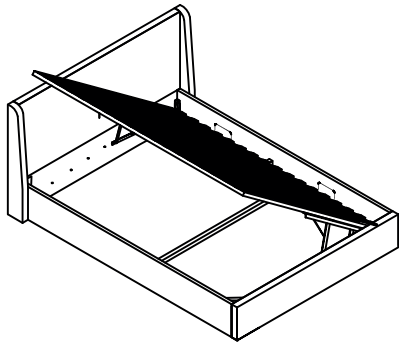
OR


LEFT SIDE

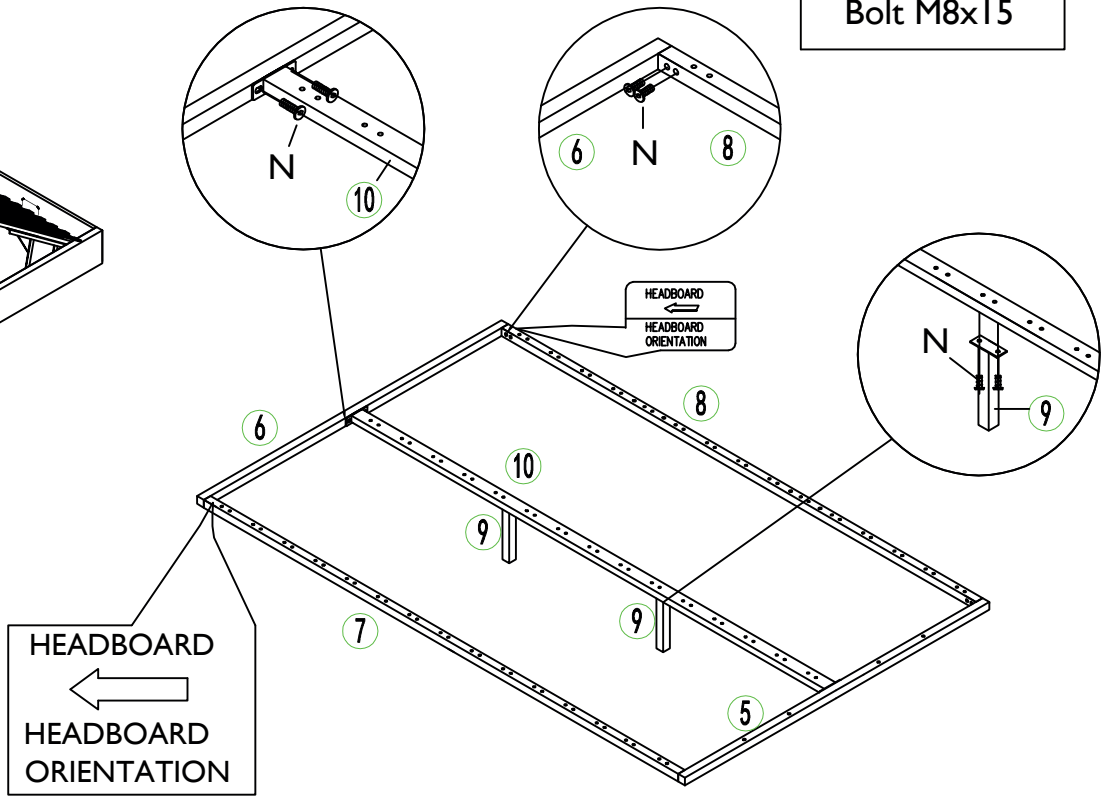


Step S3

RIGHT SIDE

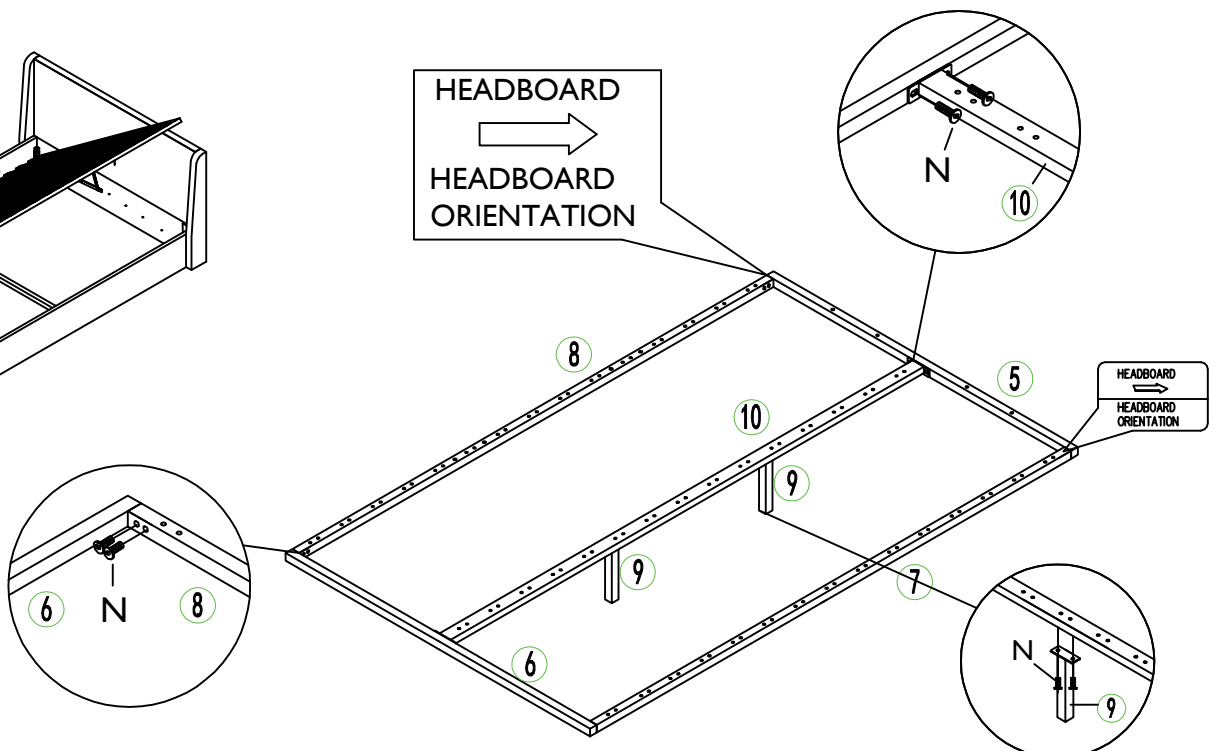
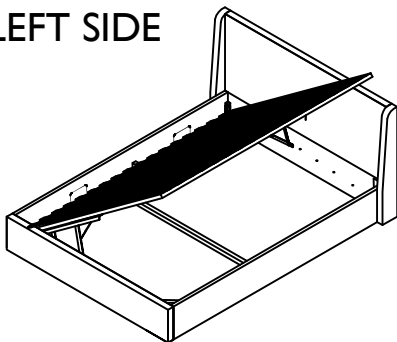


N  16pcs
Bolt M8x15

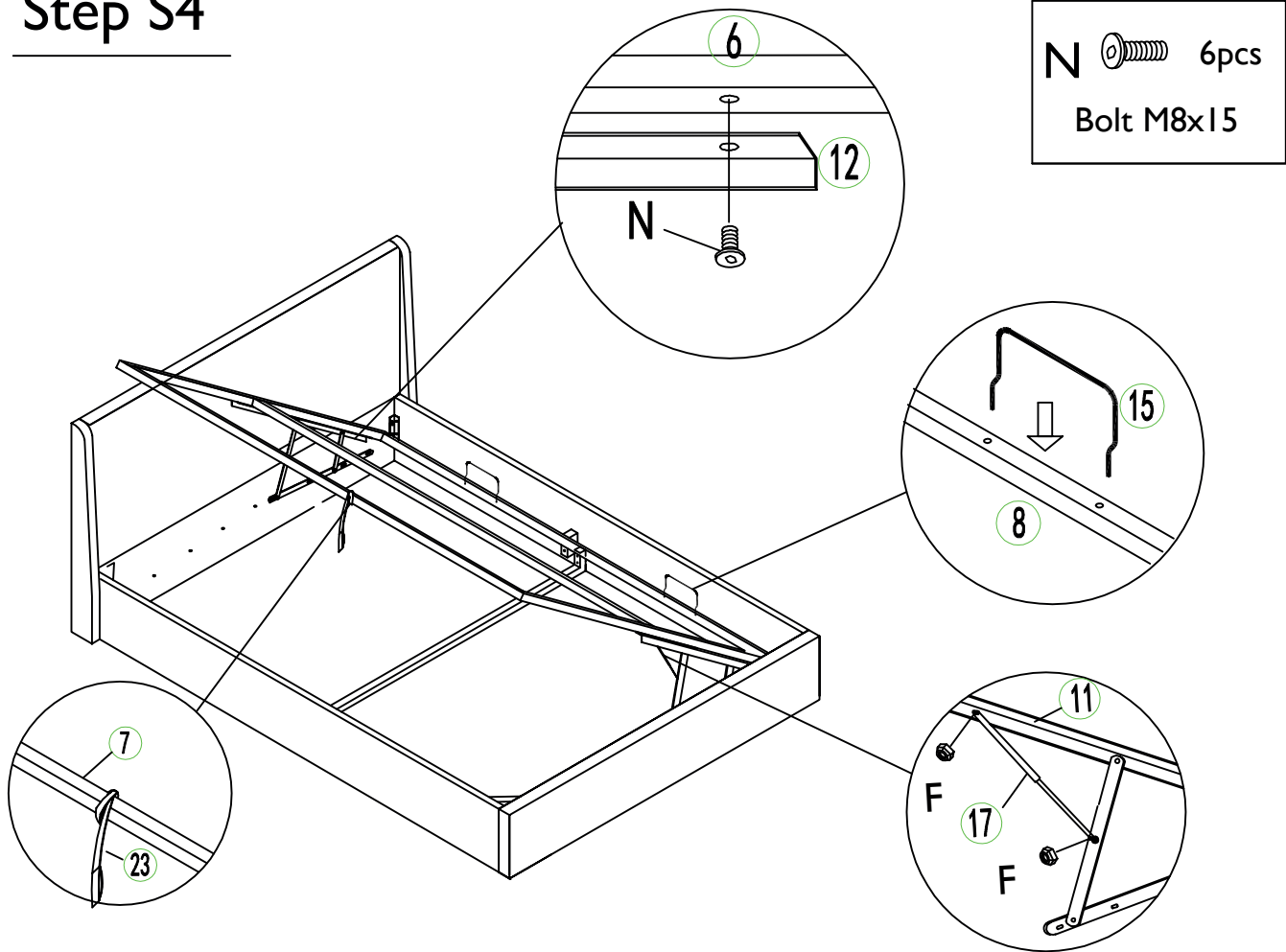


OR

LEFT SIDE

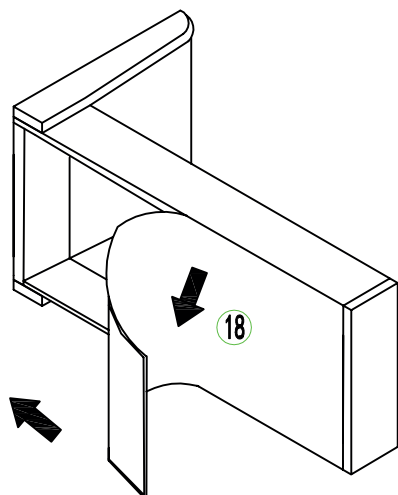


Step S4





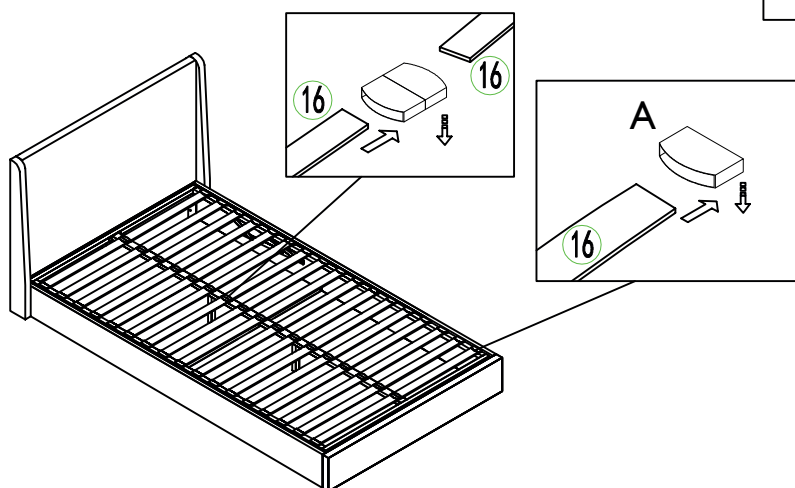
**COMPLETE ASSEMBLY
ON NEXT PAGE**

Attach Non woven fabric
Turn bed on its side and attach the fabric as shown

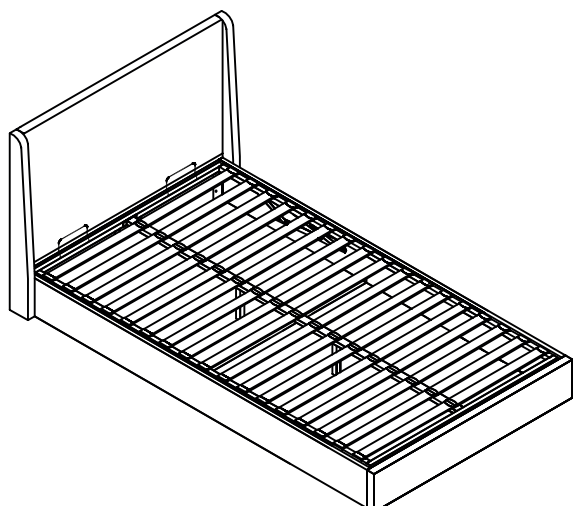


Add slats

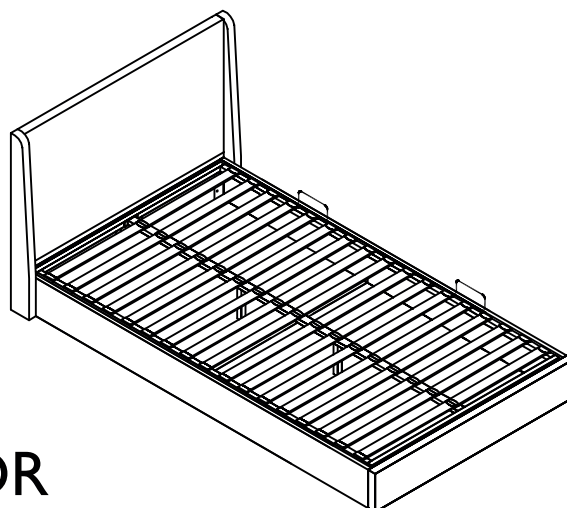
A  34/36pcs Single Plastic Cap	B  17/18pcs Double Plastic Cap
---	---



Assembly Complete



OR



IMPORTANT NOTICE

OTTOMAN OPERATING INSTRUCTIONS

Once your bed frame is completely assembled the slat unit will not operate correctly unless a mattress is placed on the slat frame. Position the mattress on the slat frame whilst it is in the closed position.

Operate the strap handle to open and close the ottoman. PLEASE NOTE - it takes a lot of force to make the initial movement of the ottoman. This is a design feature of the product so it does not fall shut - the nearer to being closed the ottoman is, the easier it is to move. When the ottoman is almost shut it will close completely under its own weight.

When lowering the slat unit for the first time, take care to make sure it does not rub unevenly on the inside face of the side rails. If it does, the bed has been assembled slightly out of square. This can be reflected by moving the foot end of the bed slightly to the left or right whilst leaving the head end stationary.

PISTONS

The pistons used in the construction of this product are extremely strong and cannot be operated by hand when taken off the ottoman. All pistons are tested for correct pressure and operation before being attached to the slat unit.

Initially it might appear that the pistons are very stiff when opening and closing the ottoman - THIS IS PERFECTLY NORMAL .

After operating the ottoman a few times, the movement of the pistons and the opening and closing of the ottoman will become easier.

WARNING

For the safety of yourselves and others, please ensure that:

- Only the handle is used when lifting and lowering the frame. Failure to comply with this warning may result in injury and finger entrapment.
- The handle is attached and always left visible on the outside of the bedstead frame.
- The metal frame is fully raised in the full 'Up' position before using the ottoman space, otherwise the frame could close (fall) or open (spring up) causing injury.
- Children and pets are not left unattended when the frame is in the lifted position as they could become trapped inside the ottoman space.
- Please keep children and pets away from the ottoman bedstead whilst opening and closing the slat frame to avoid injury.
- The items store under the bed - i.e. the top of an item must not touch the underside of the mattress metal frame base or it may get damaged.

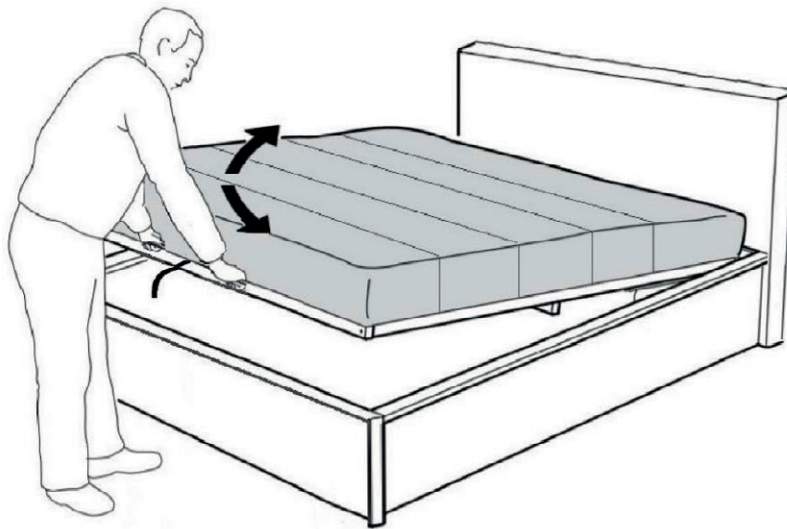
Hints and Tips

Failure to do so may result in injury.

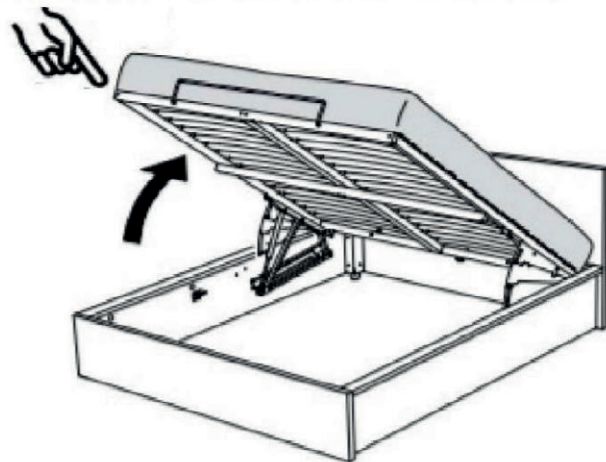
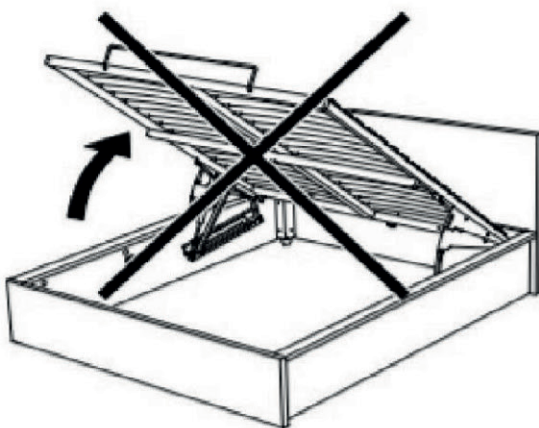
To operate the ottoman, always use two hands at arm's length to push down on the bed frame end, in between the 2 rows of slats (as shown below) to close the bed frame.

To open, lift up using the nylon strap on the bed end. You must always ensure the mattress is on the bed frame before lifting to open and close the bed frame.

The weight of the mattress loaded on the frame helps to close the bed frame easier and with less effort, also keep the frame in closed position until it is pulled upwards by user.

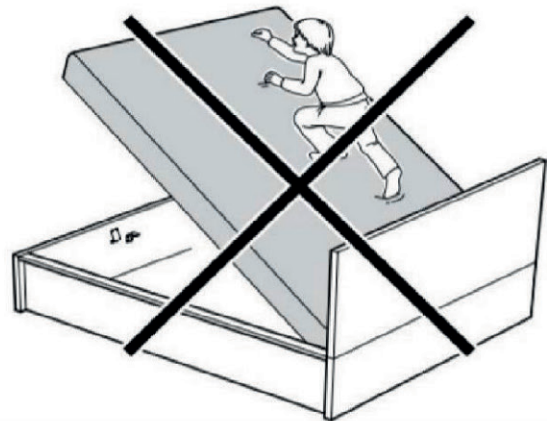
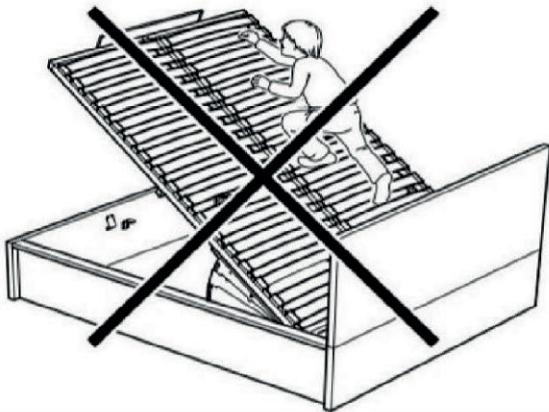
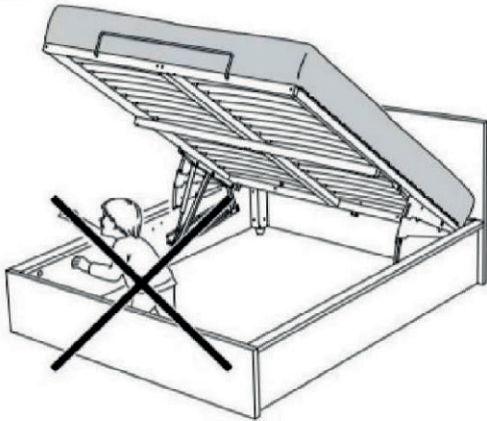


Always ensure Mattress is on the bed frame

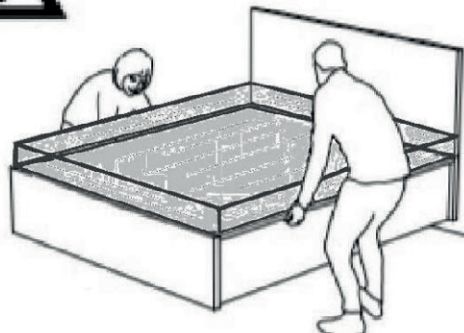
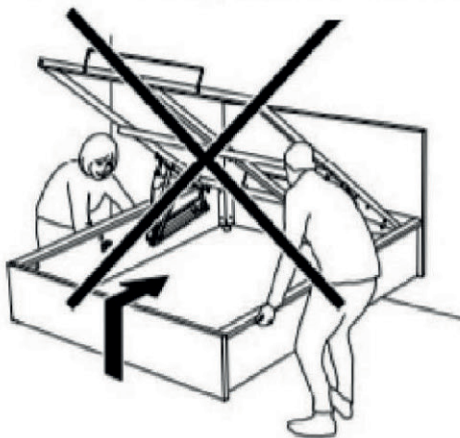


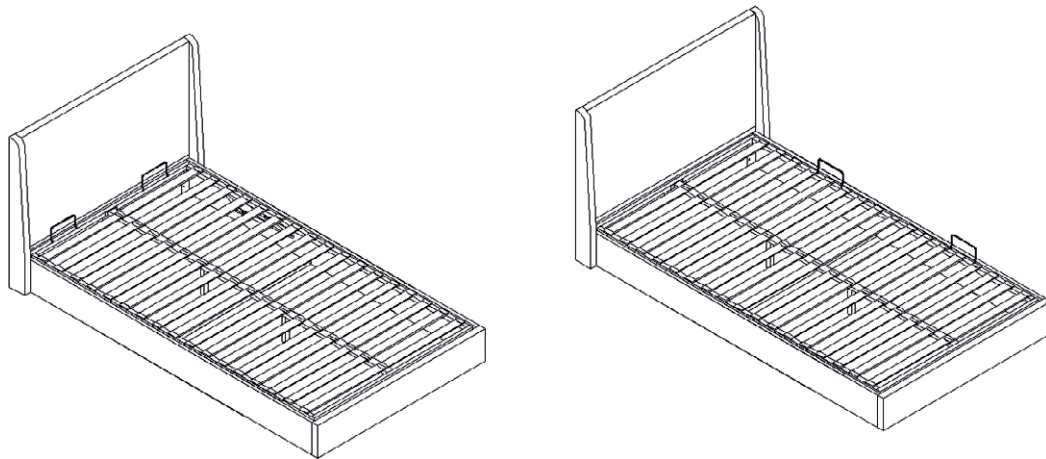
Hints and Tips

Failure to do so may result in injury.



Bed frame must be in **CLOSED** position, with Mattress on the bed when moving the bed.





KY409 OTTOMAN BED

Thank you for your purchase. The following care instructions will allow you to make the most of your bed; helping to prolong the look and life of it by preventing wear and damage.

IMPORTANT INFORMATION

PLEASE ENSURE YOU READ THIS LEAFLET BEFORE USING YOUR BED. DO NOT DISCARD OF ANY PACKAGING UNTIL YOU HAVE CHECKED THE PRODUCT THOROUGHLY.

This bed can be assembled as and END LIFT OR SIDE LIFT OTTOMAN, please ensure you follow the correct steps for your desired lift.

CARING FOR YOUR BED

- Pre-brush any fabric with a soft brush and then gently vacuum.
- Use a microfibre cloth to remove dust from wooden surfaces.
- In the event of a spill or stain, use specialist cleaning services.

SUNLIGHT AND HEAT DAMAGE

- Avoid contact with direct sunlight. If needed, move items or change their position to avoid the same area being exposed to repeated sunlight/heat.
- Do not place your bed close to fire places and/or radiators.
- Hot objects such as mugs/plates can permanently mark fabric and wood, avoid placing these on the bed.
- Do not allow children or pets to climb or jump on the bed.
- Avoid contact with sharp objects such as buckles, toys and jewellery as these can easily snag, tear, pull and/or scratch the fabric/wood.

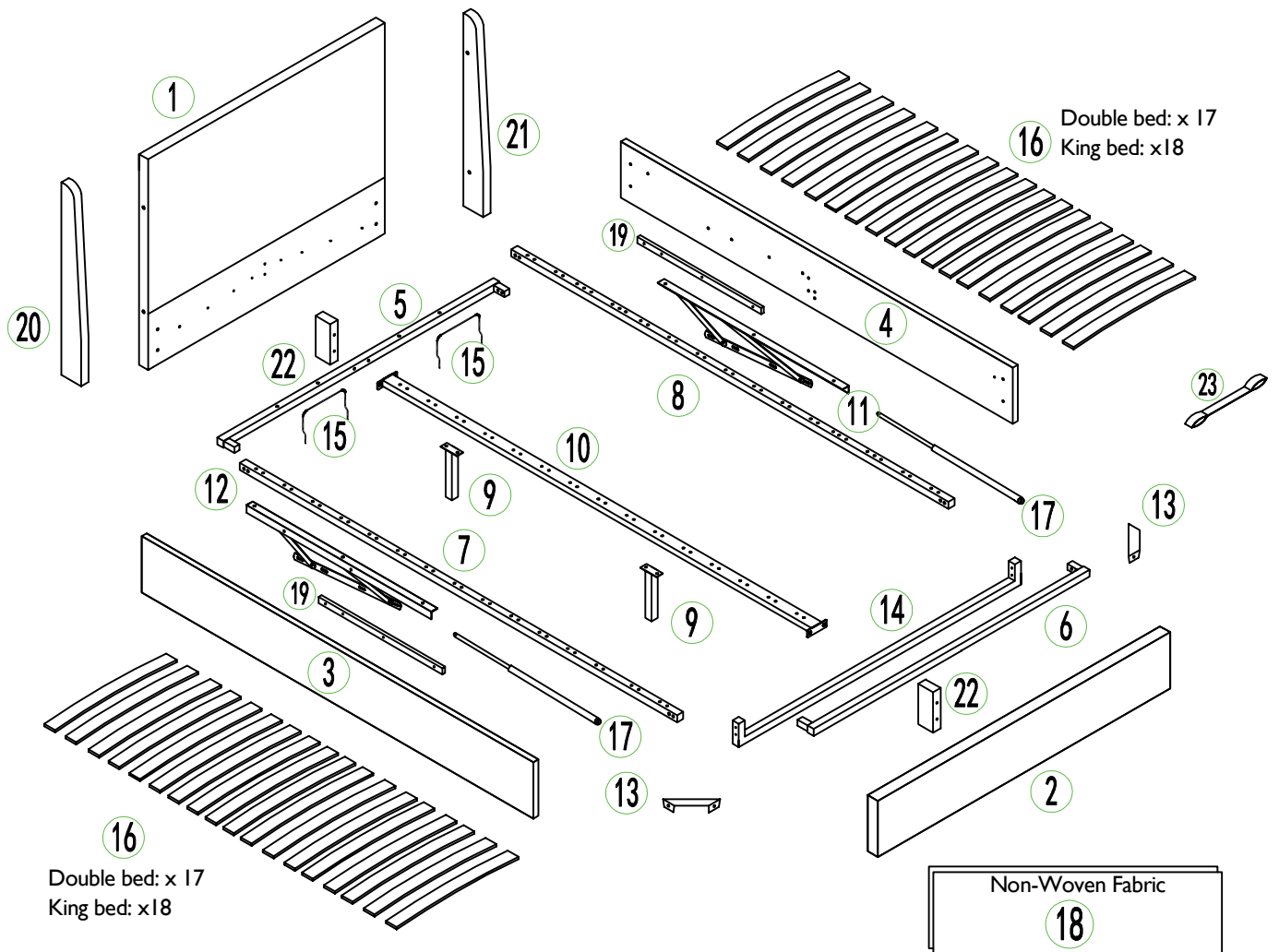
HARDWARE LIST

Label	Picture	Description	Qty	Label	Picture	Description	Qty
A		Single Plastic Cap	34/36	H		Bolt M6x20	4
B		Double Plastic Cap	17/18	G		Bolt M8x40	4
C		Bolt M8x20	16	L		Connection Plate Left	2
E		Bolt M6x70	4	R		Connection Plate Right	2
I		Washer M8	12	M		Bolt M8x35	8
F		Nut	4	N		Bolt M8x15	22
D		Bolt M6x35	4				

TOOL LIST

Label	Picture	Description	Qty
T-2		Allen key M5	1
T-3		Allen key M4	1
T-4		Spanner	1

COMPONENTS / PARTS

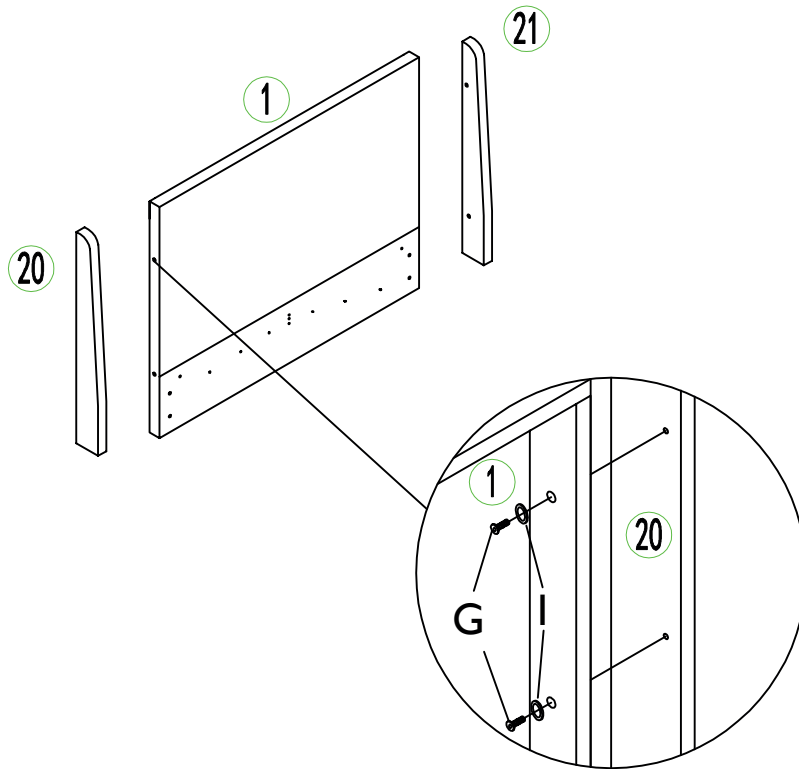


Once you have completed Steps 1 to 2, choose whether you would like END LIFT or SIDE LIFT ottoman.

For END LIFT OTTOMAN, go to Page 4.

For SIDE LIFT OTTOMAN, go to Page 6.

Step 1



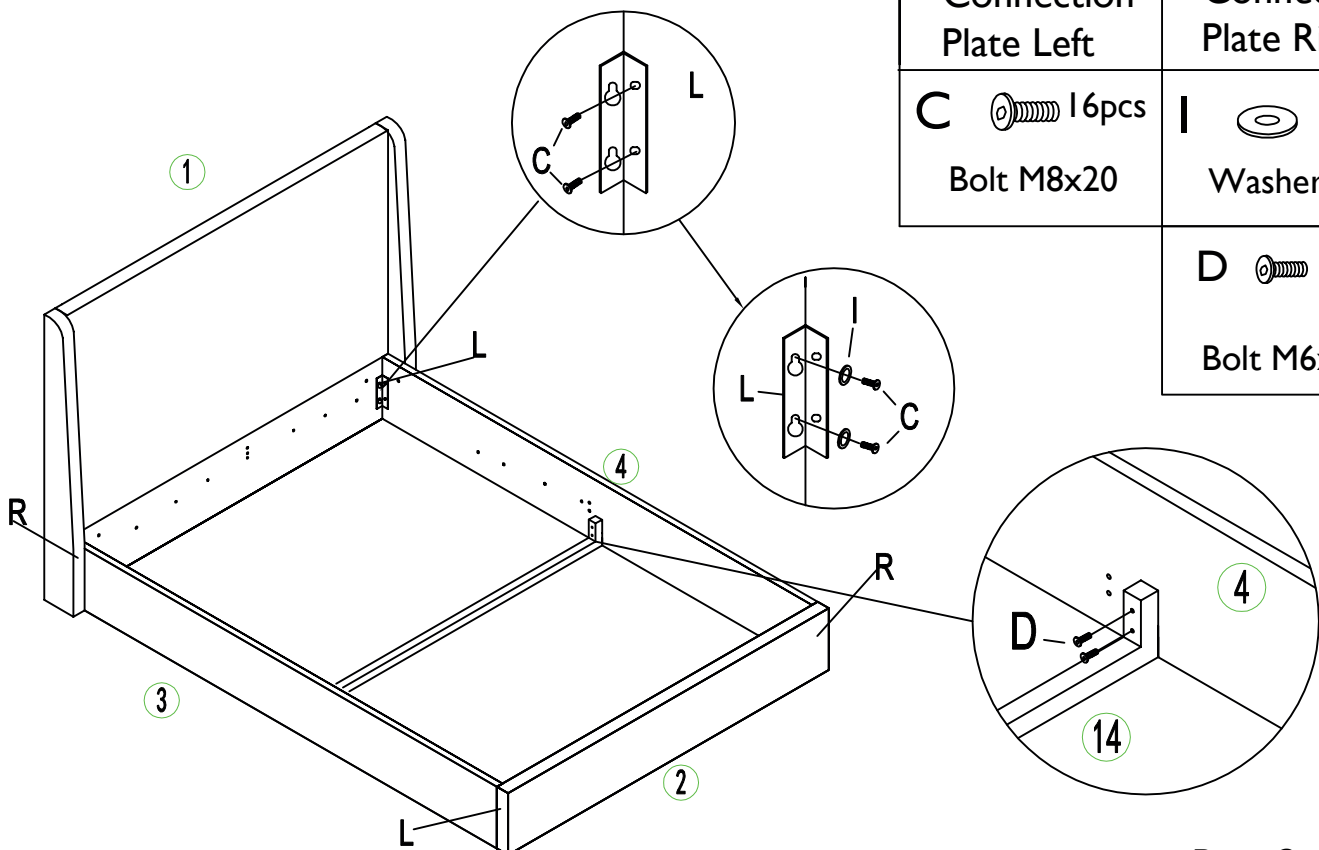
G  4pcs

Bolt M8x40

I  4pcs

Washer M8

Step 2



L  2pcs
Connection
Plate Left

R  2pcs
Connection
Plate Right

C  16pcs
Bolt M8x20

I  8pcs
Washer M8

D  4pcs

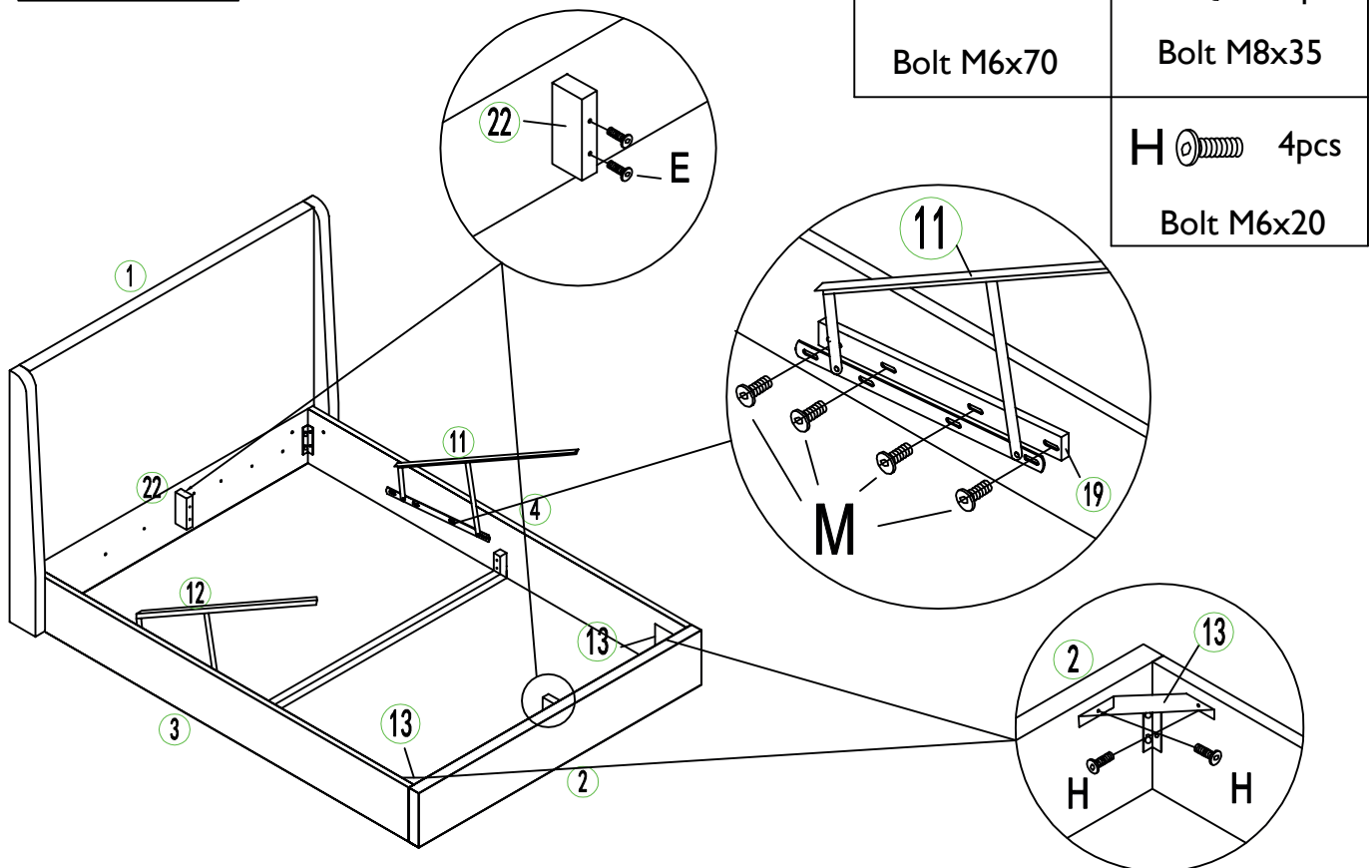
Bolt M6x35

END LIFT OTTOMAN


Once completed go to Page 10, to complete assembly.

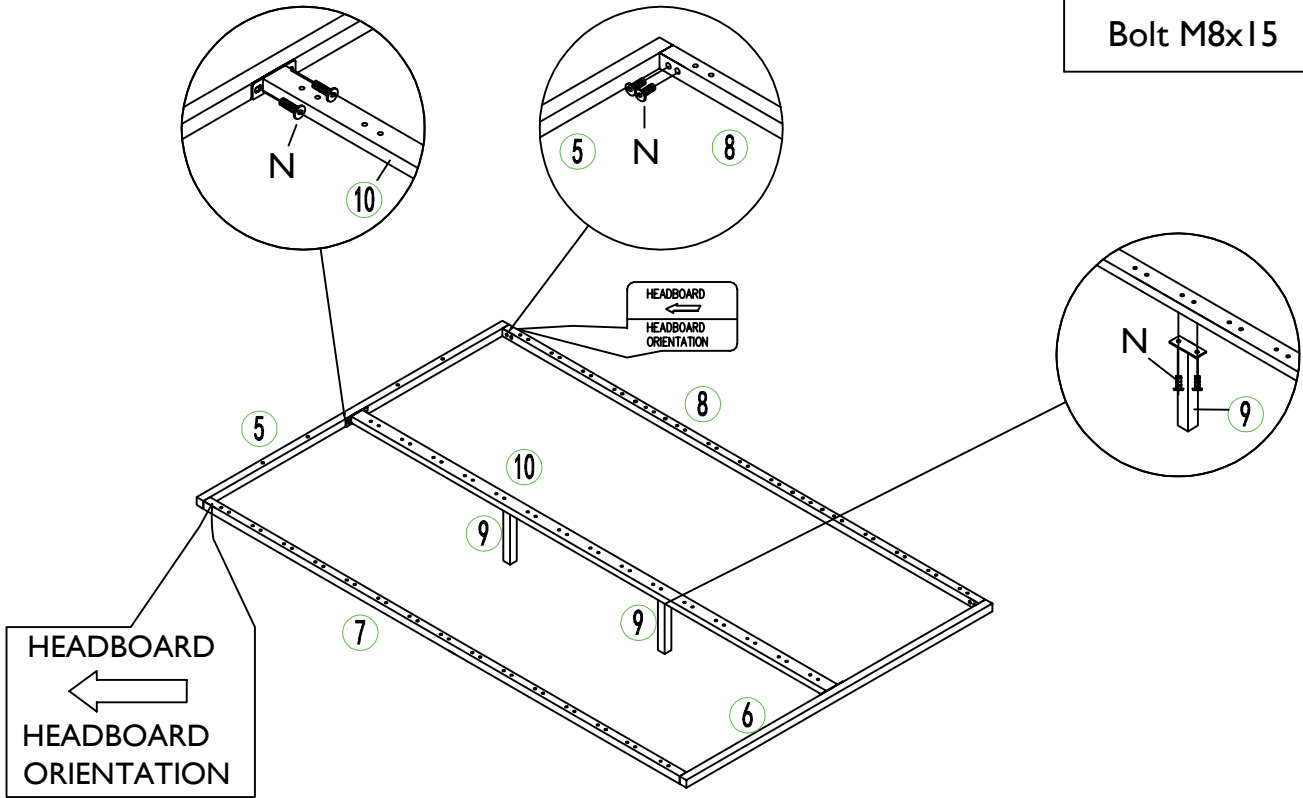
For SIDE LIFT OTTOMAN, go to Page 6.

Step E1





Step E2

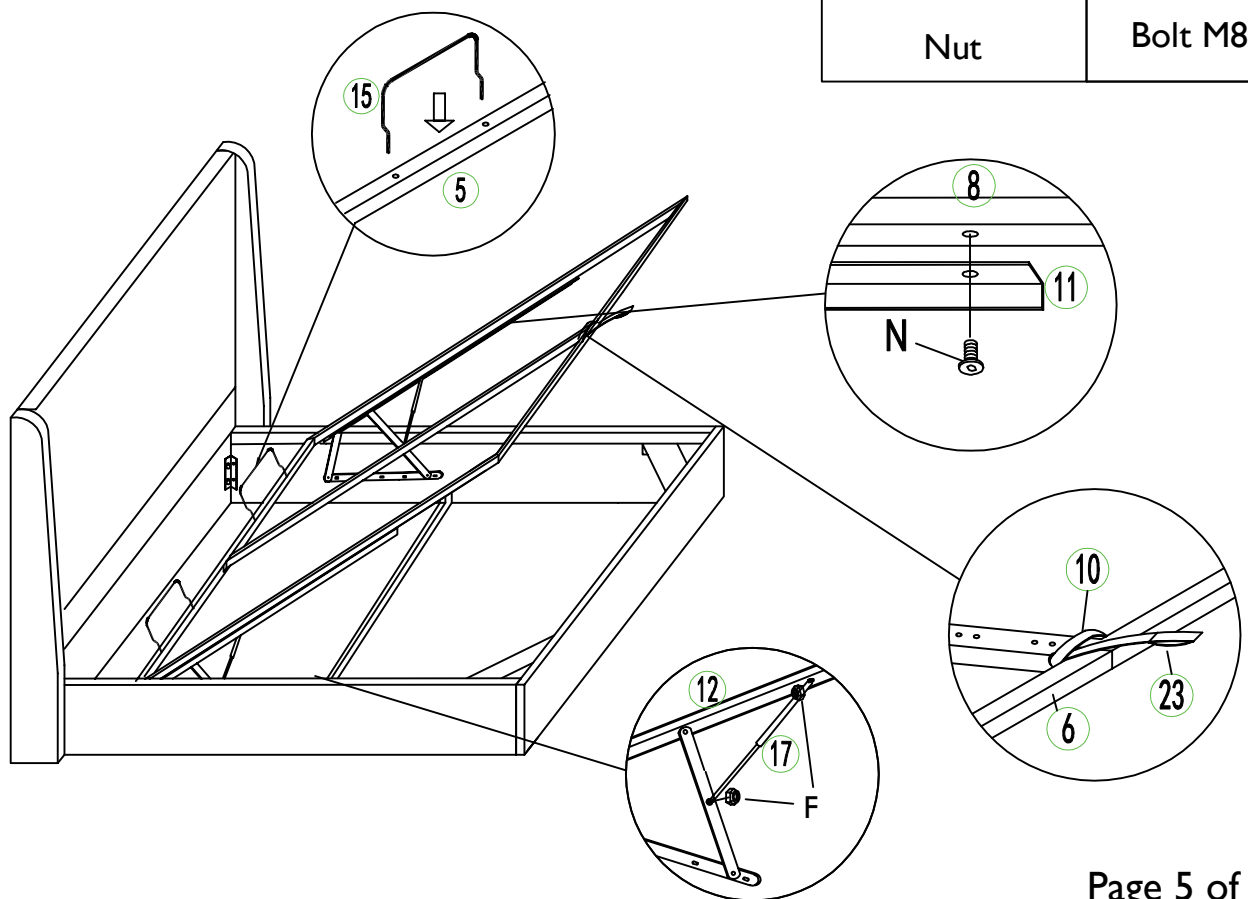
N  16pcs
Bolt M8x15



Step E3

F  4pcs
Nut

N  6pcs
Bolt M8x15



SIDE LIFT OTTOMAN

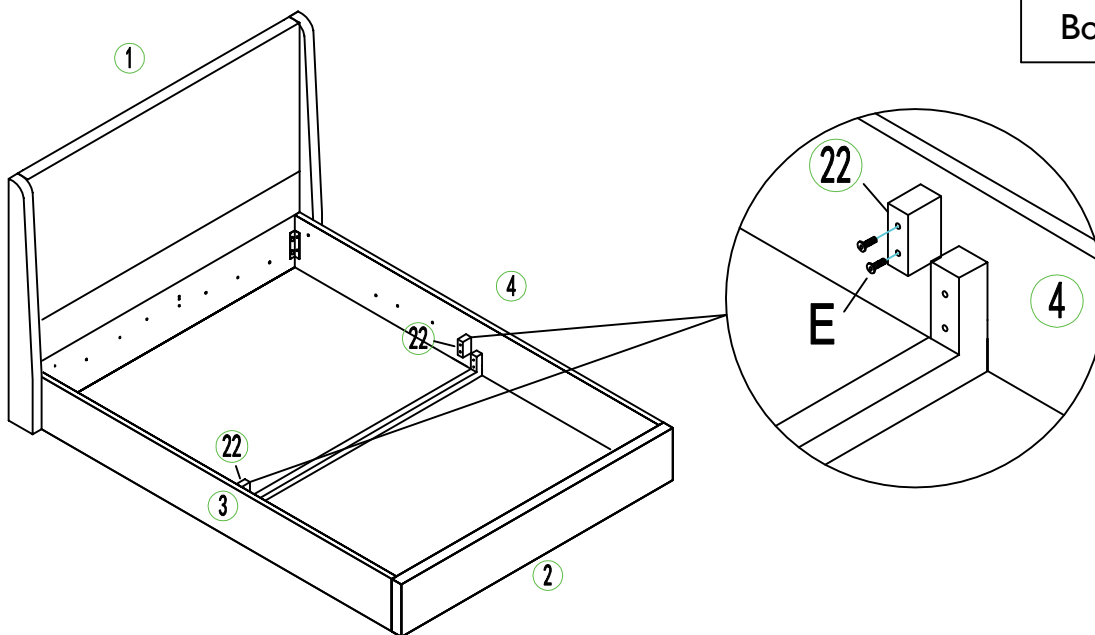
Once completed go to Page 10, to complete assembly.

For END LIFT OTTOMAN, go to Page 4.

Step S1



E  4pcs

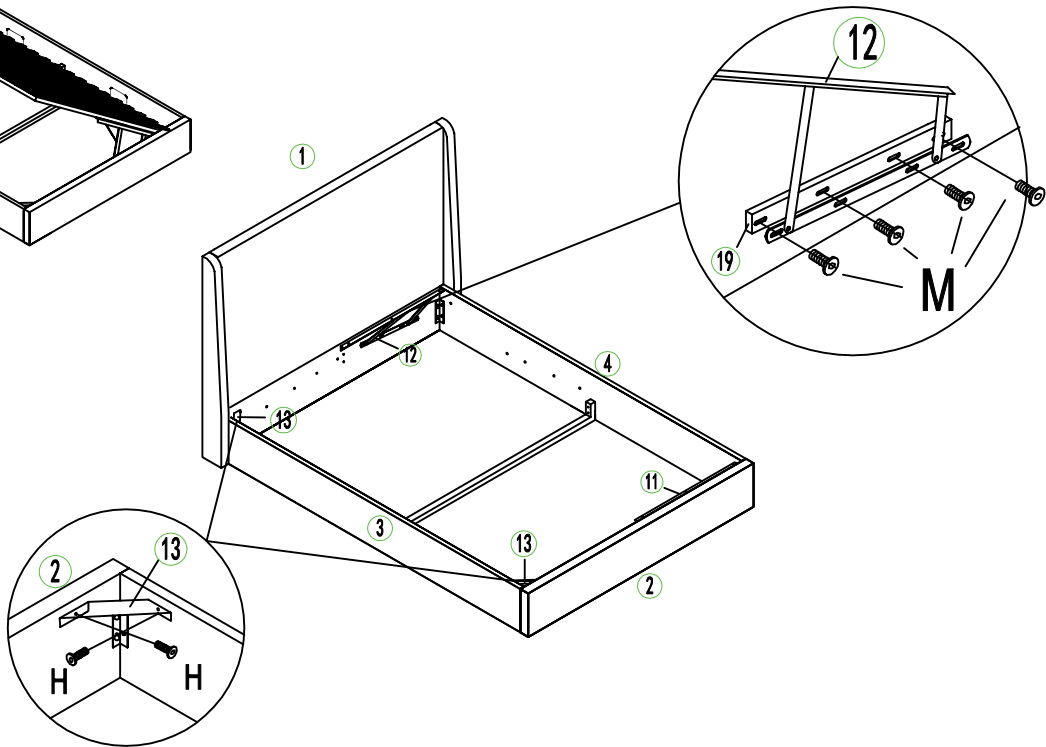
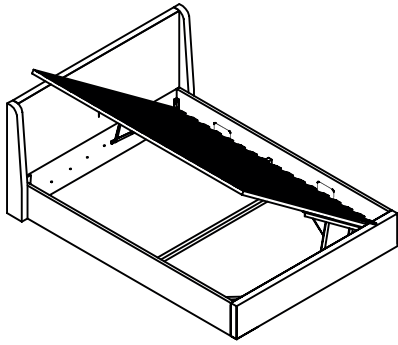
Bolt M6x70



Step S2

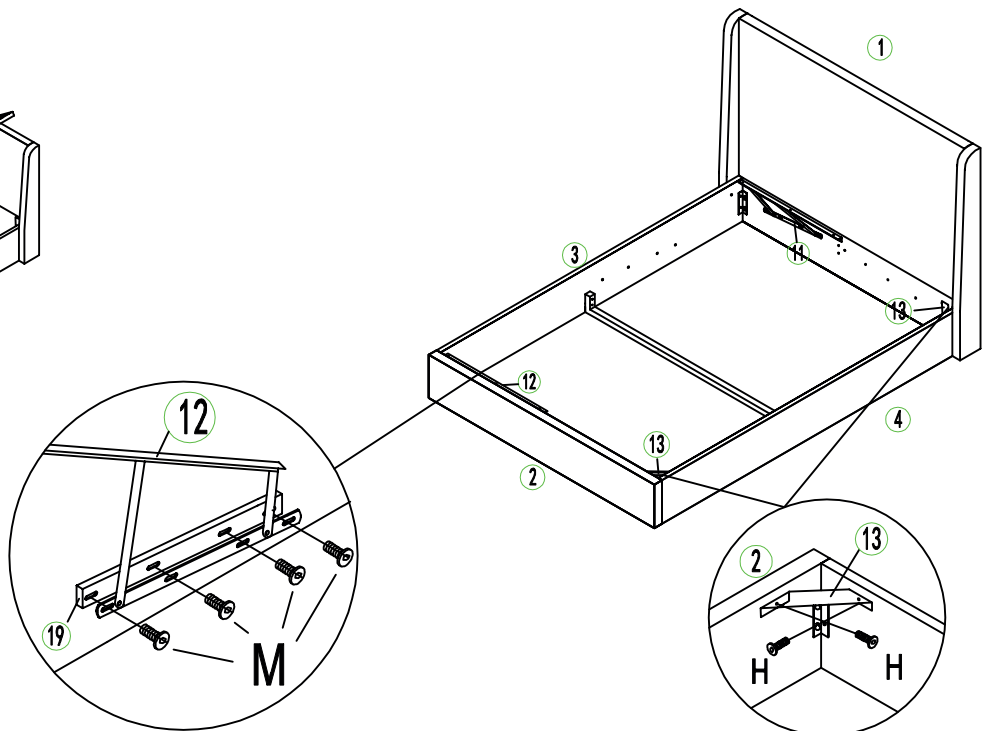
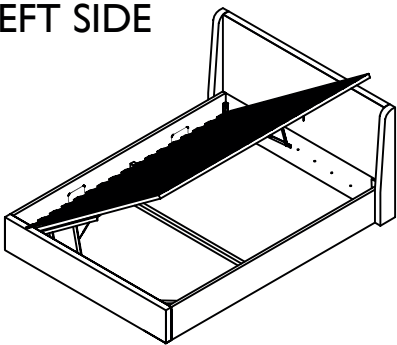
RIGHT SIDE

H  4pcs	M  8pcs
Bolt M6x20	Bolt M8x35




OR

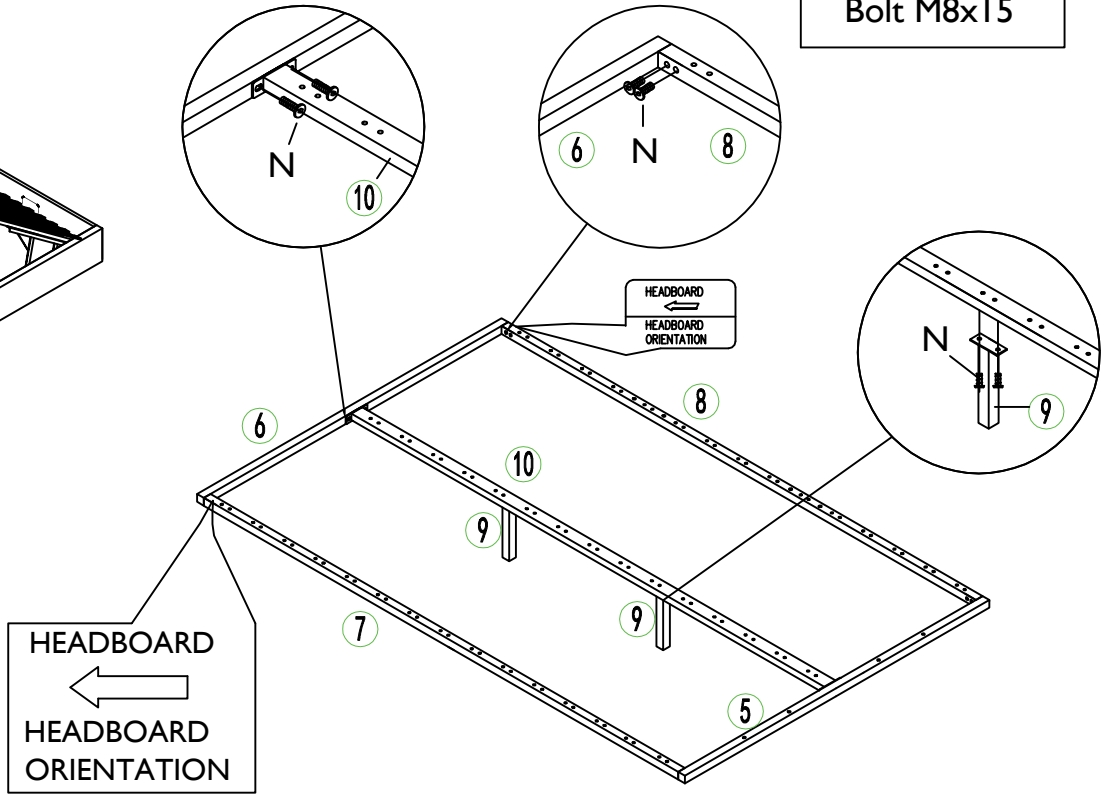
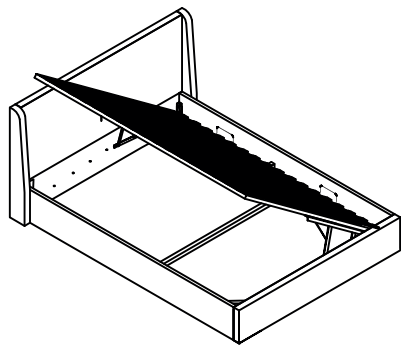
LEFT SIDE



Step S3

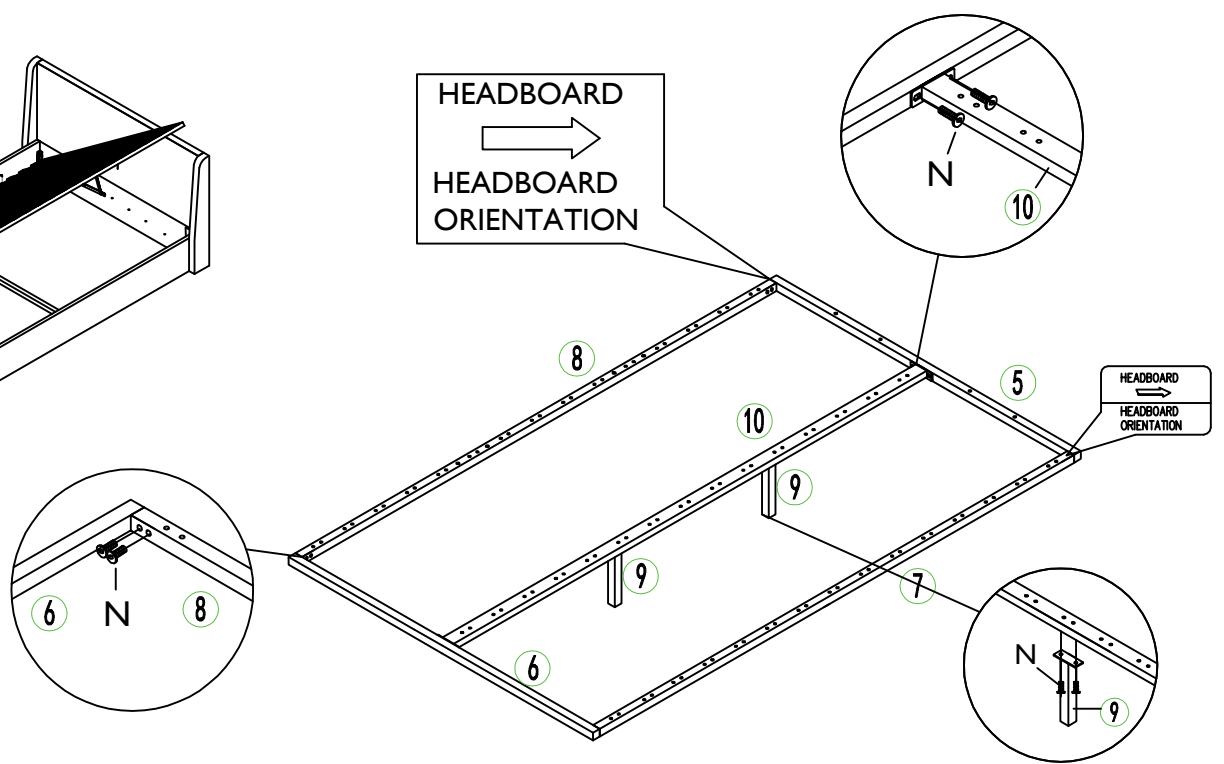
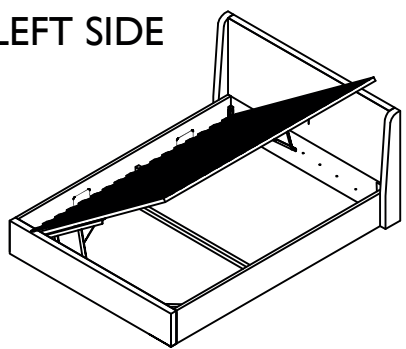
RIGHT SIDE

N  16pcs
Bolt M8x15

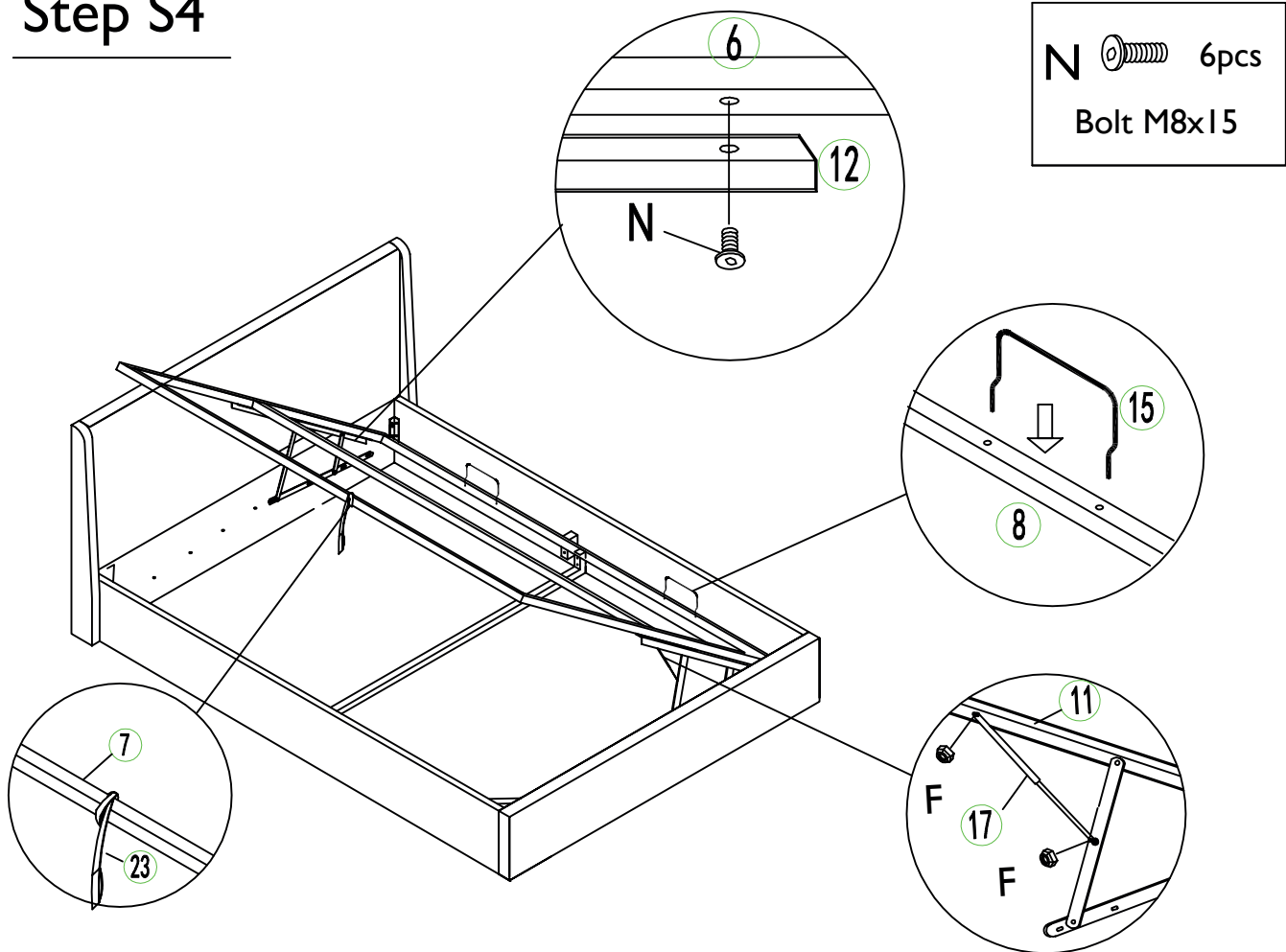


OR

LEFT SIDE



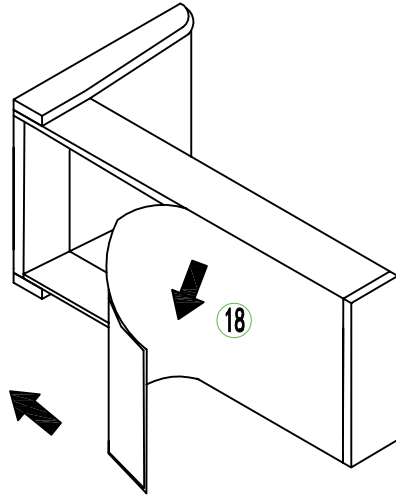
Step S4




**COMPLETE ASSEMBLY
ON NEXT PAGE**

Attach Non woven fabric

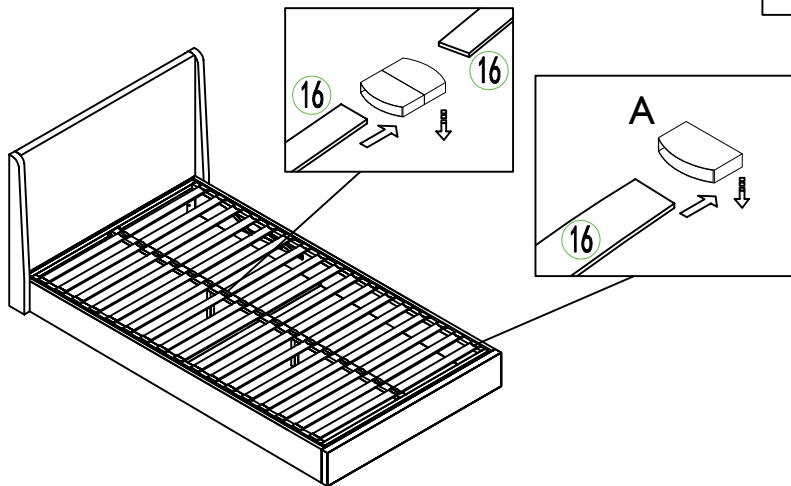
Turn bed on its side and attach the fabric as shown



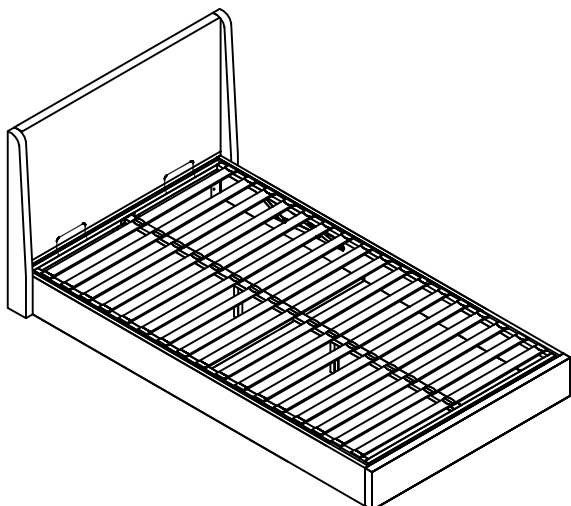
Add slats

A  34/36pcs
Single Plastic Cap

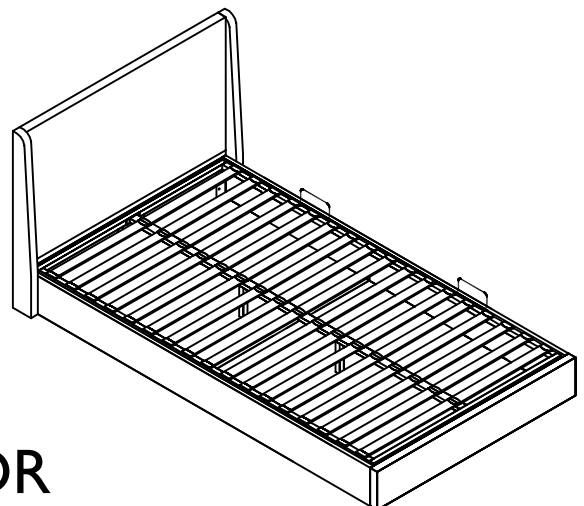
B  17/18pcs
Double Plastic Cap



Assembly Complete



OR



IMPORTANT NOTICE

OTTOMAN OPERATING INSTRUCTIONS

Once your bed frame is completely assembled the slat unit will not operate correctly unless a mattress is placed on the slat frame. Position the mattress on the slat frame whilst it is in the closed position.

Operate the strap handle to open and close the ottoman. PLEASE NOTE - it takes a lot of force to make the initial movement of the ottoman. This is a design feature of the product so it does not fall shut - the nearer to being closed the ottoman is, the easier it is to move. When the ottoman is almost shut it will close completely under its own weight.

When lowering the slat unit for the first time, take care to make sure it does not rub unevenly on the inside face of the side rails. If it does, the bed has been assembled slightly out of square. This can be reflected by moving the foot end of the bed slightly to the left or right whilst leaving the head end stationary.

PISTONS

The pistons used in the construction of this product are extremely strong and cannot be operated by hand when taken off the ottoman. All pistons are tested for correct pressure and operation before being attached to the slat unit.

Initially it might appear that the pistons are very stiff when opening and closing the ottoman - THIS IS PERFECTLY NORMAL .

After operating the ottoman a few times, the movement of the pistons and the opening and closing of the ottoman will become easier.

WARNING

For the safety of yourselves and others, please ensure that:

- Only the handle is used when lifting and lowering the frame. Failure to comply with this warning may result in injury and finger entrapment.
- The handle is attached and always left visible on the outside of the bedstead frame.
- The metal frame is fully raised in the full 'Up' position before using the ottoman space, otherwise the frame could close (fall) or open (spring up) causing injury.
- Children and pets are not left unattended when the frame is in the lifted position as they could become trapped inside the ottoman space.
- Please keep children and pets away from the ottoman bedstead whilst opening and closing the slat frame to avoid injury.
- The items store under the bed - i.e. the top of an item must not touch the underside of the mattress metal frame base or it may get damaged.

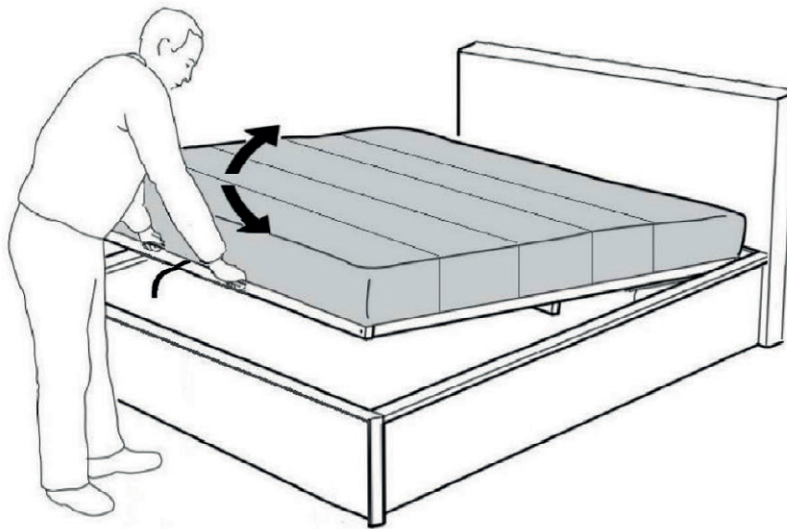
Hints and Tips

Failure to do so may result in injury.

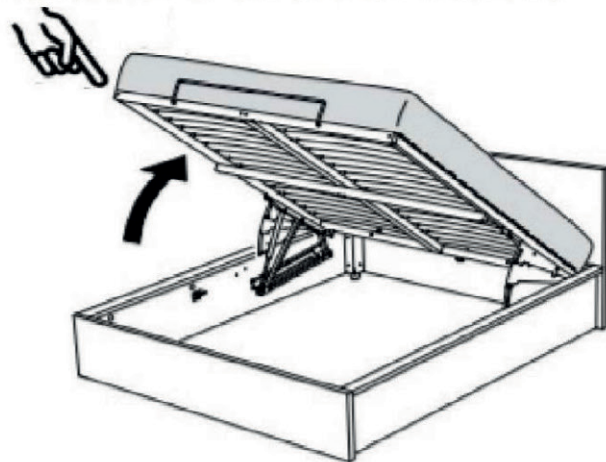
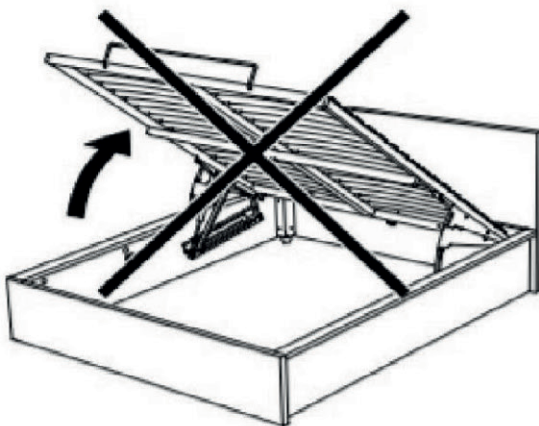
To operate the ottoman, always use two hands at arm's length to push down on the bed frame end, in between the 2 rows of slats (as shown below) to close the bed frame.

To open, lift up using the nylon strap on the bed end. You must always ensure the mattress is on the bed frame before lifting to open and close the bed frame.

The weight of the mattress loaded on the frame helps to close the bed frame easier and with less effort, also keep the frame in closed position until it is pulled upwards by user.

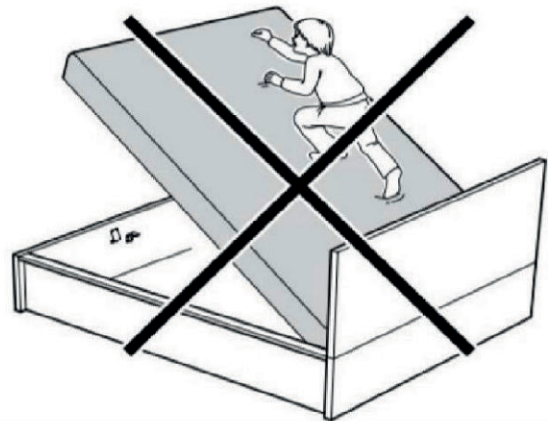
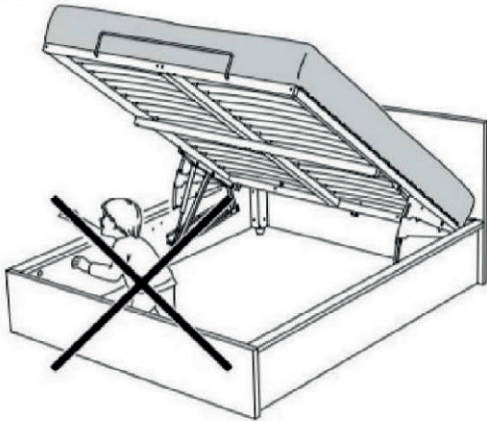


Always ensure Mattress is on the bed frame

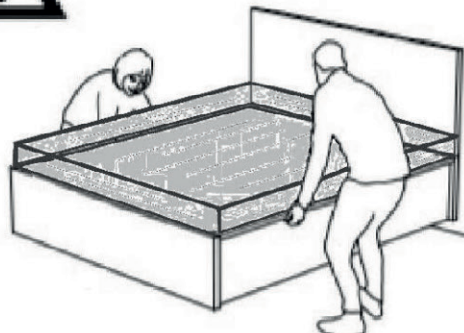


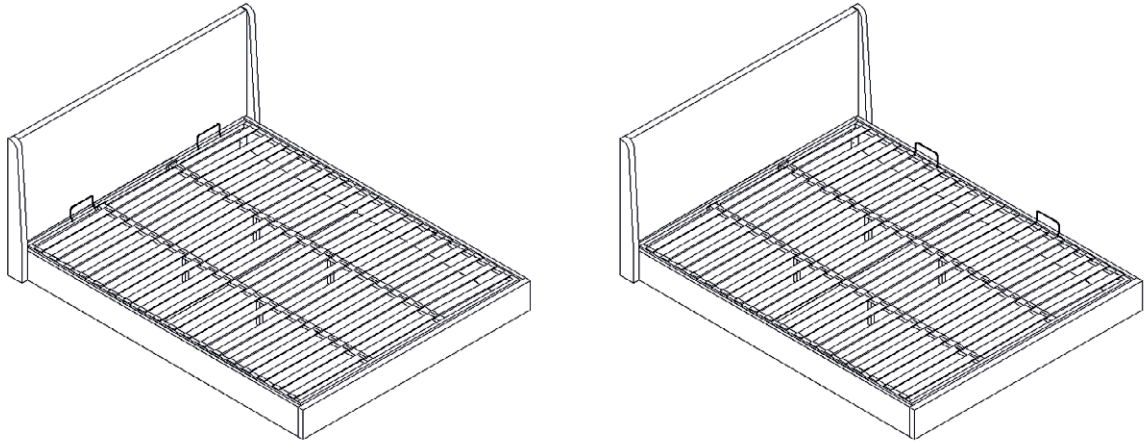
Hints and Tips

Failure to do so may result in injury.



Bed frame must be in **CLOSED** position, with Mattress on the bed when moving the bed.





KY409 OTTOMAN BED

Thank you for your purchase. The following care instructions will allow you to make the most of your bed; helping to prolong the look and life of it by preventing wear and damage.

IMPORTANT INFORMATION

PLEASE ENSURE YOU READ THIS LEAFLET BEFORE USING YOUR BED. DO NOT DISCARD OF ANY PACKAGING UNTIL YOU HAVE CHECKED THE PRODUCT THOROUGHLY.

This bed can be assembled as and **END LIFT OR SIDE LIFT OTTOMAN**, please ensure you follow the correct steps for your desired lift.

CARING FOR YOUR BED

- Pre-brush any fabric with a soft brush and then gently vacuum.
- Use a microfibre cloth to remove dust from wooden surfaces.
- In the event of a spill or stain, use specialist cleaning services.

SUNLIGHT AND HEAT DAMAGE

- Avoid contact with direct sunlight. If needed, move items or change their position to avoid the same area being exposed to repeated sunlight/heat.
- Do not place your bed close to fire places and/or radiators.
- Hot objects such as mugs/plates can permanently mark fabric and wood, avoid placing these on the bed.
- Do not allow children or pets to climb or jump on the bed.
- Avoid contact with sharp objects such as buckles, toys and jewellery as these can easily snag, tear, pull and/or scratch the fabric/wood.

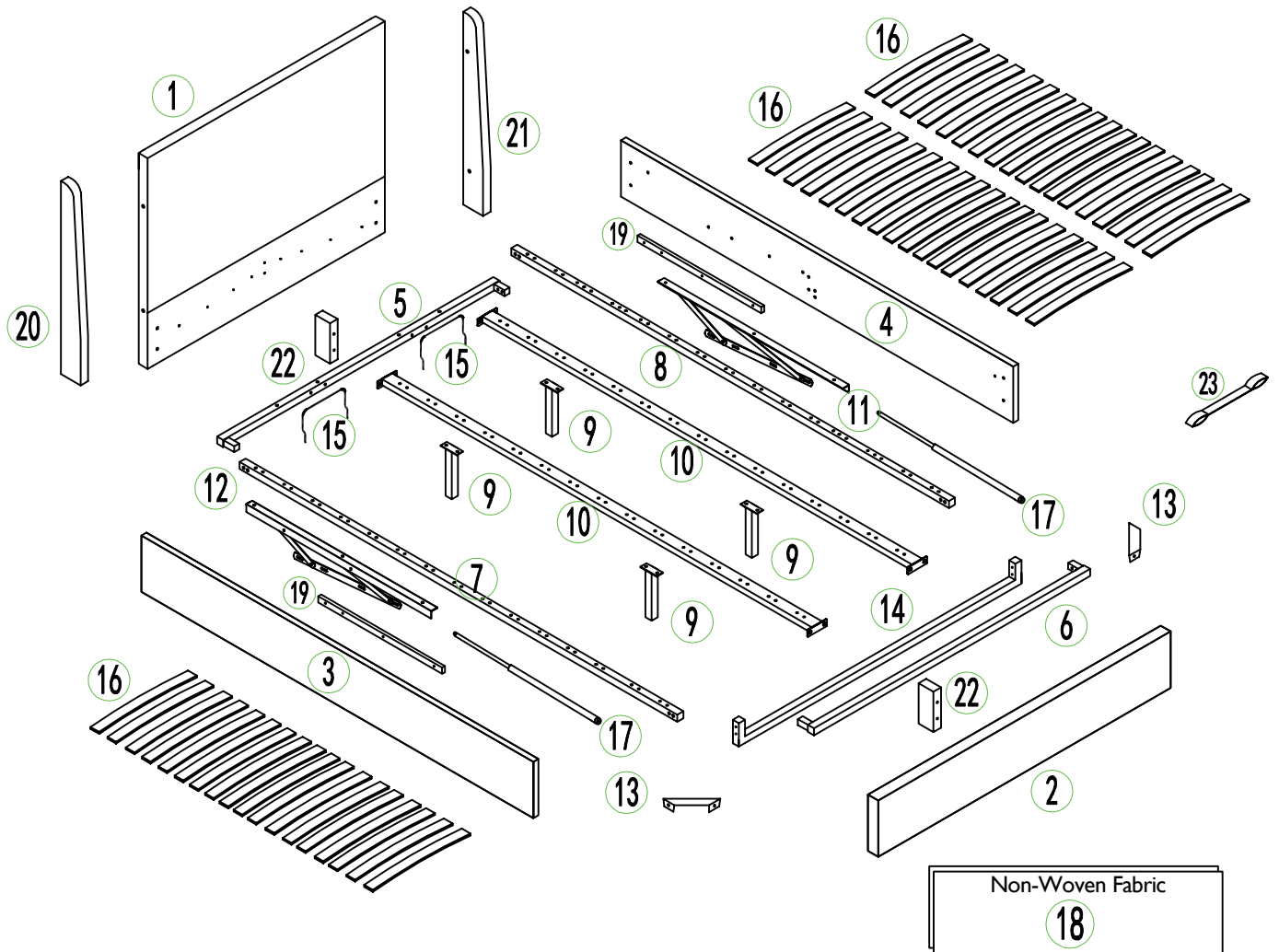
HARDWARE LIST

Label	Picture	Description	Qty	Label	Picture	Description	Qty
A		Single Plastic Cap	36	H		Bolt M6x20	4
B		Double Plastic Cap	36	G		Bolt M8x40	4
C		Bolt M8x20	16	L		Connection Plate Left	2
E		Bolt M6x70	4	R		Connection Plate Right	2
I		Washer M8	12	M		Bolt M8x35	8
F		Nut	4	N		Bolt M8x15	30
D		Bolt M6x35	4				

TOOL LIST

Label	Picture	Description	Qty
T-2		Allen key M5	1
T-3		Allen key M4	1
T-4		Spanner	1

COMPONENTS / PARTS



Once you have completed Steps 1 to 2, choose whether you would like END LIFT or SIDE LIFT ottoman.

For END LIFT OTTOMAN, go to Page 4.

For SIDE LIFT OTTOMAN, go to Page 6.

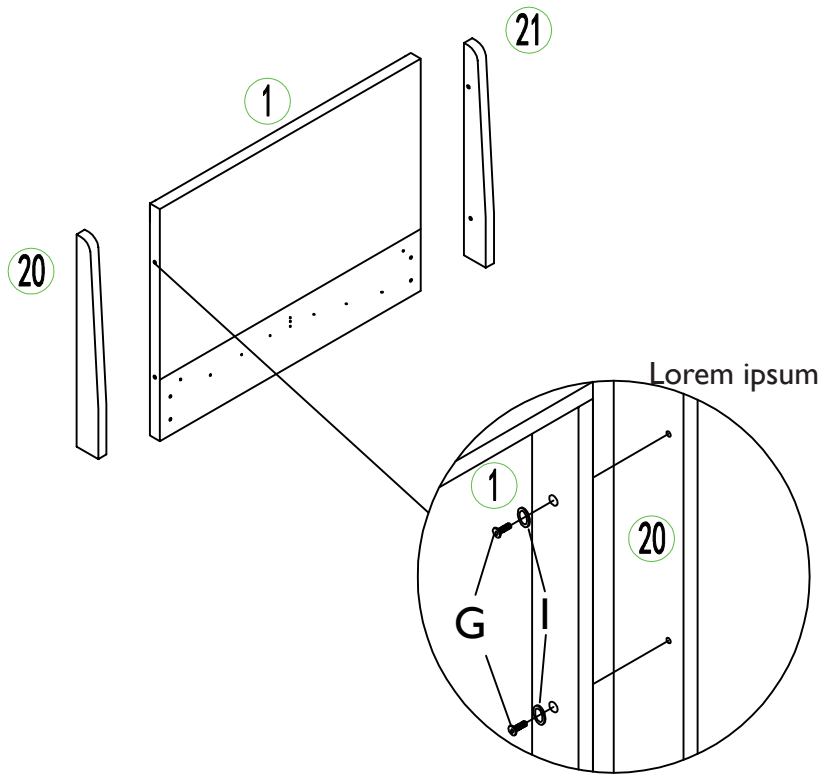
Step 1

G  4pcs

Bolt M8x40

I  4pcs

Washer M8




Step 2

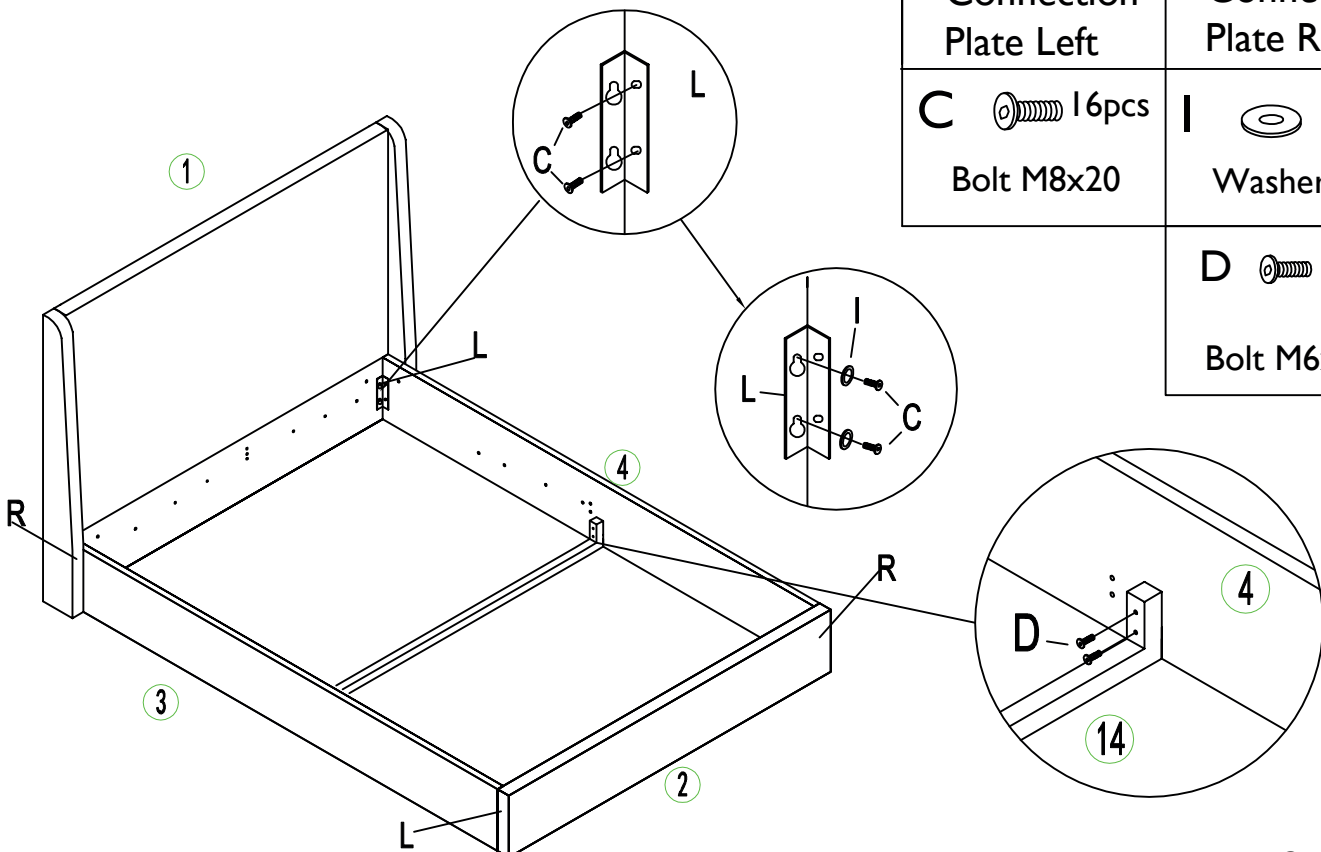
L  2pcs
Connection
Plate Left

R  2pcs
Connection
Plate Right

C  16pcs
Bolt M8x20

I  8pcs
Washer M8

D  4pcs
Bolt M6x35






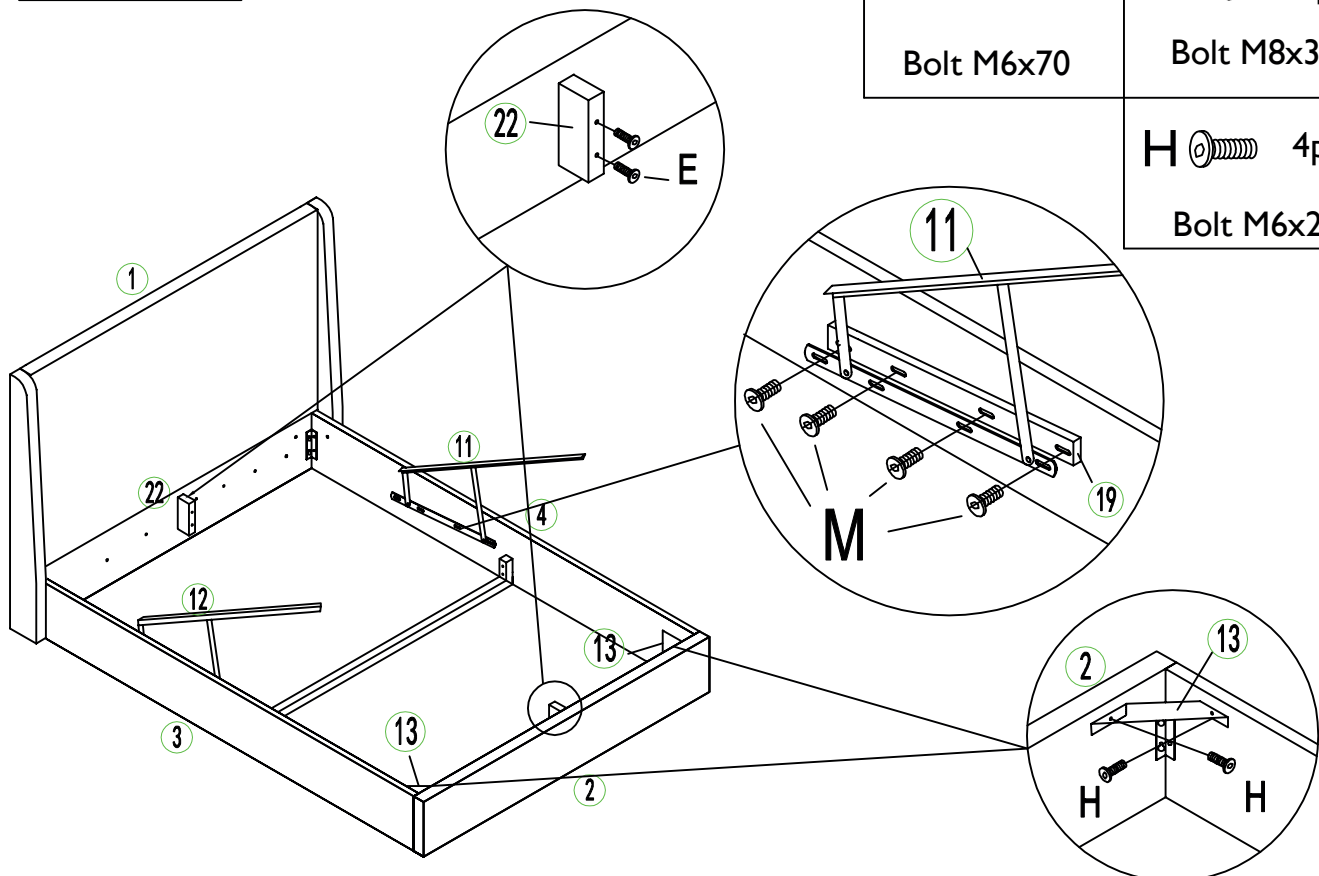
END LIFT OTTOMAN

Once completed go to Page 10, to complete assembly.

For SIDE LIFT OTTOMAN, go to Page 6.

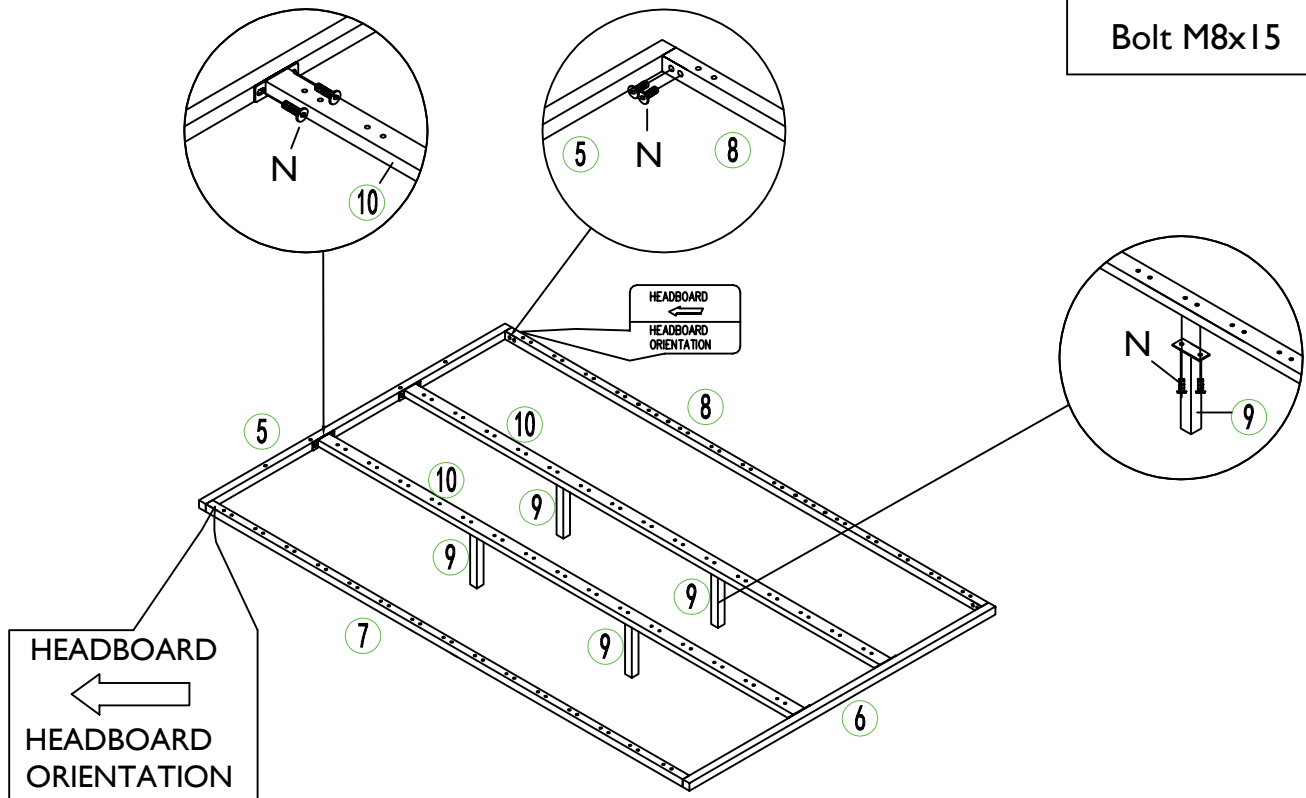
Step E1

E  4pcs Bolt M6x70	M  8pcs Bolt M8x35
	H  4pcs Bolt M6x20



Step E2

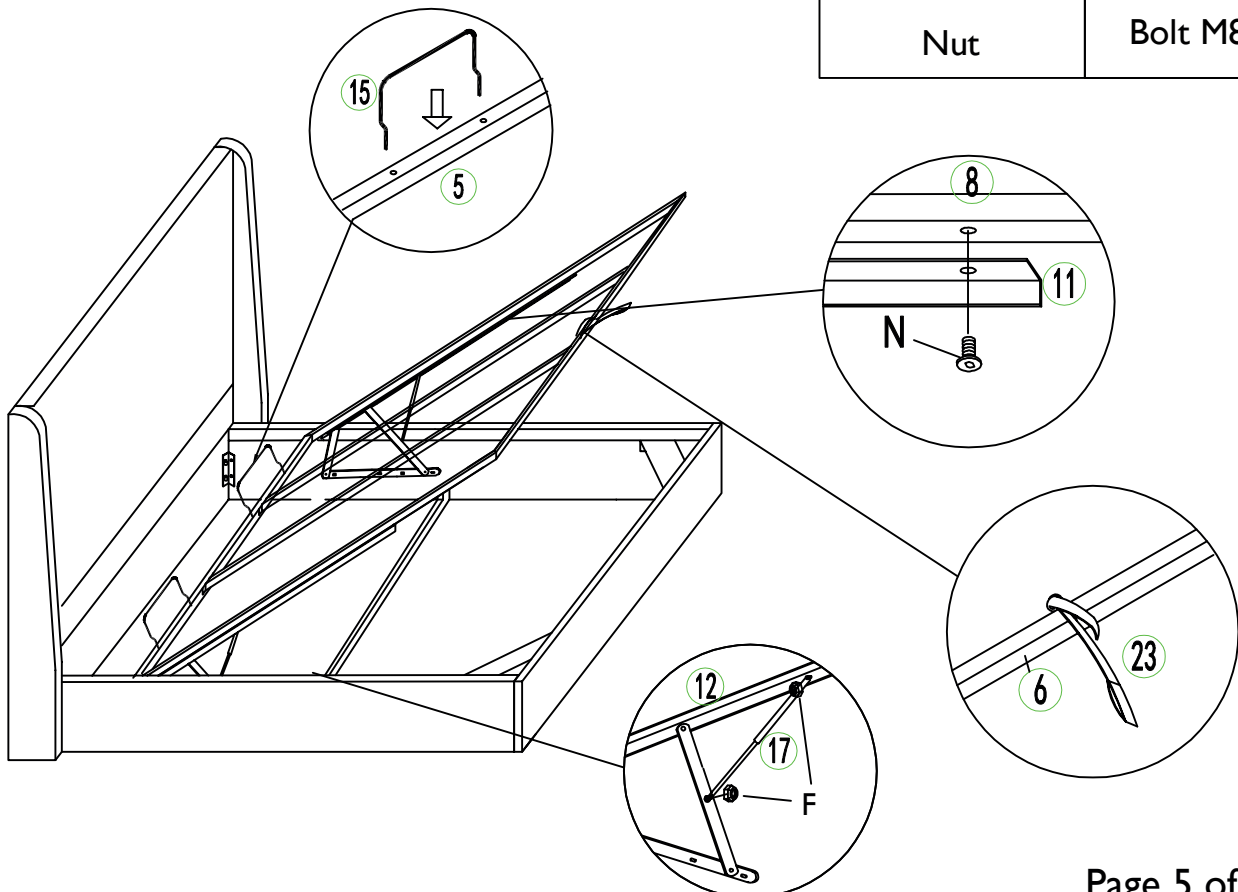
N  24pcs
Bolt M8x15



Step E3

F  4pcs
Nut

N  6pcs
Bolt M8x15



SIDE LIFT OTTOMAN

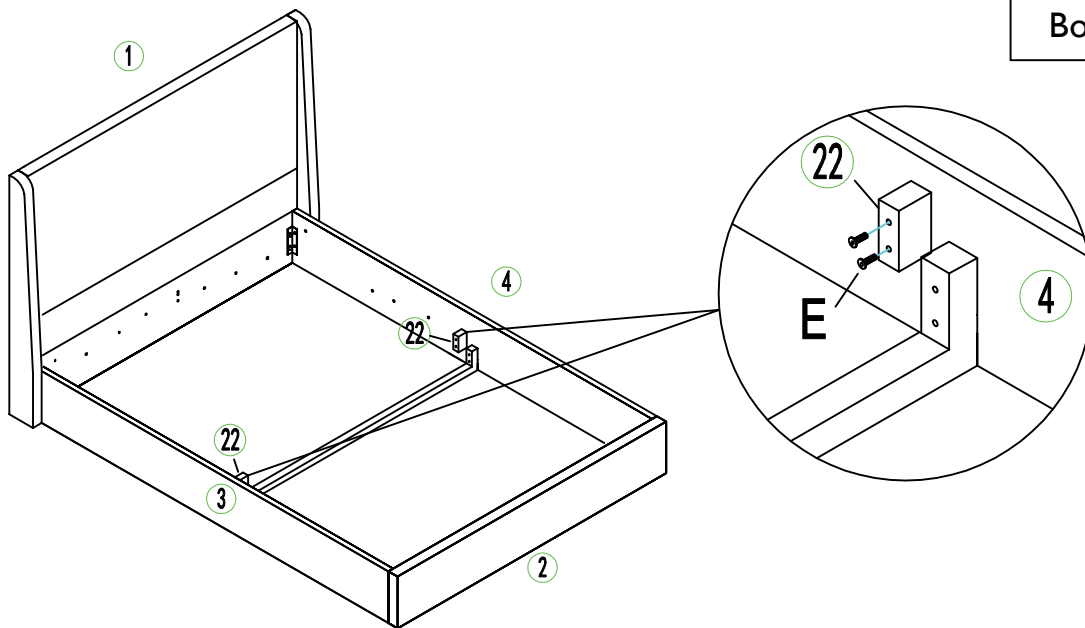
Once completed go to Page 10, to complete assembly.

For END LIFT OTTOMAN, go to Page 4.

Step S1



E  4pcs

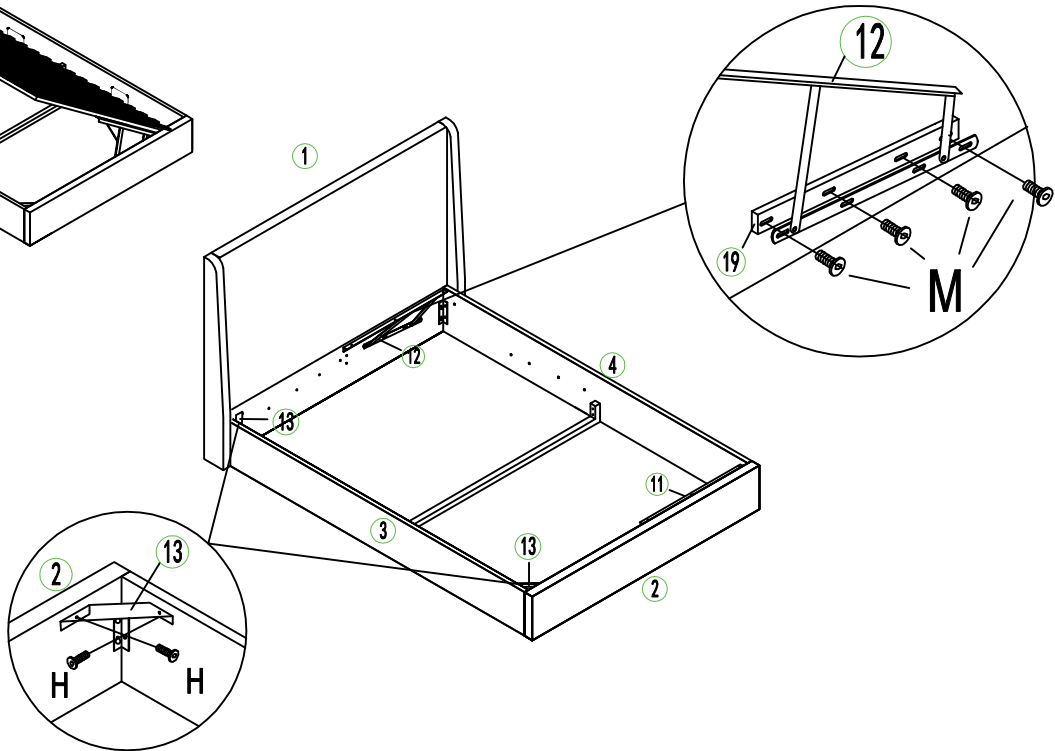
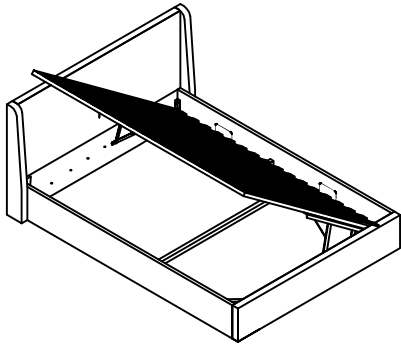
Bolt M6x70



Step S2

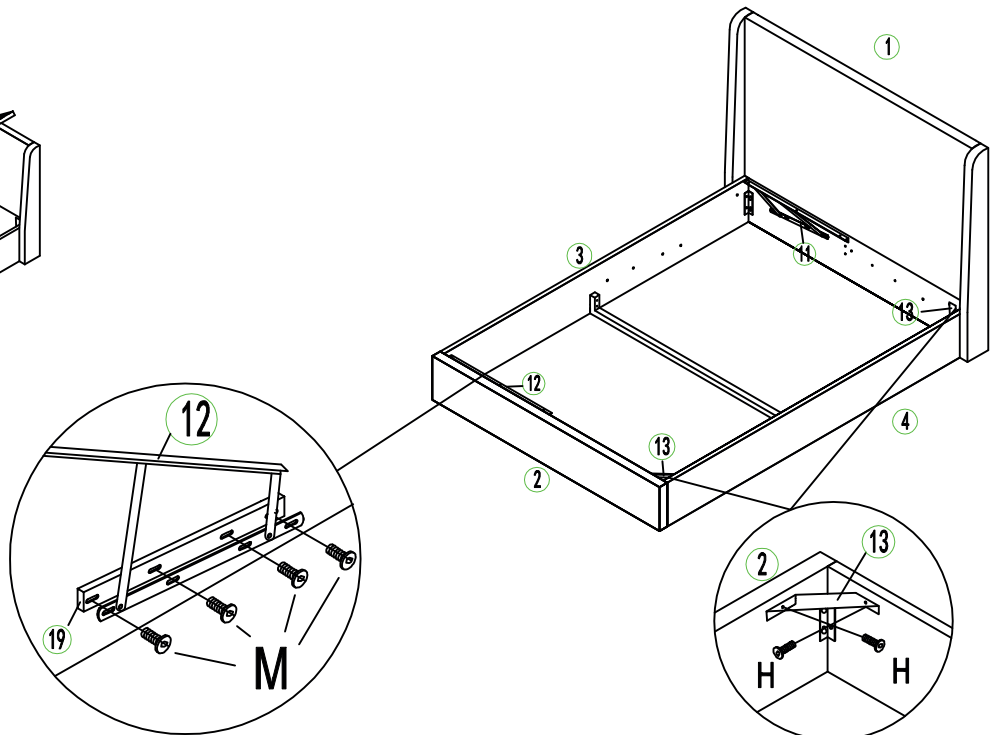
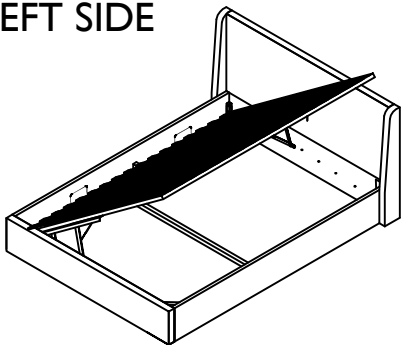
RIGHT SIDE

H  4pcs	M  8pcs
Bolt M6x20	Bolt M8x35



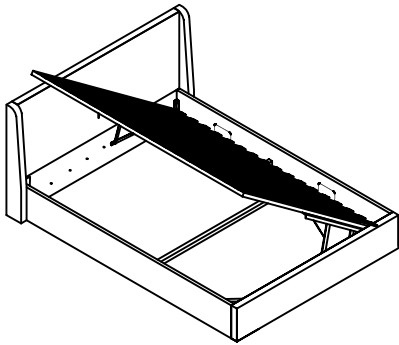
OR


LEFT SIDE

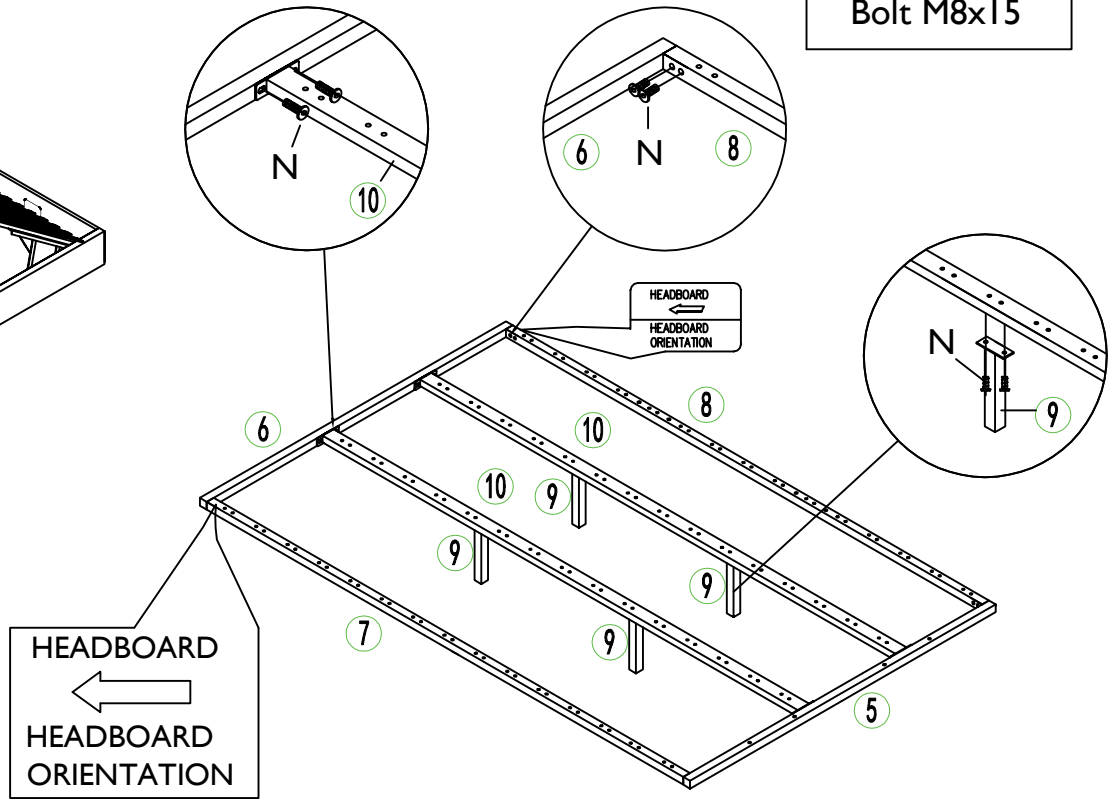


Step S3

RIGHT SIDE

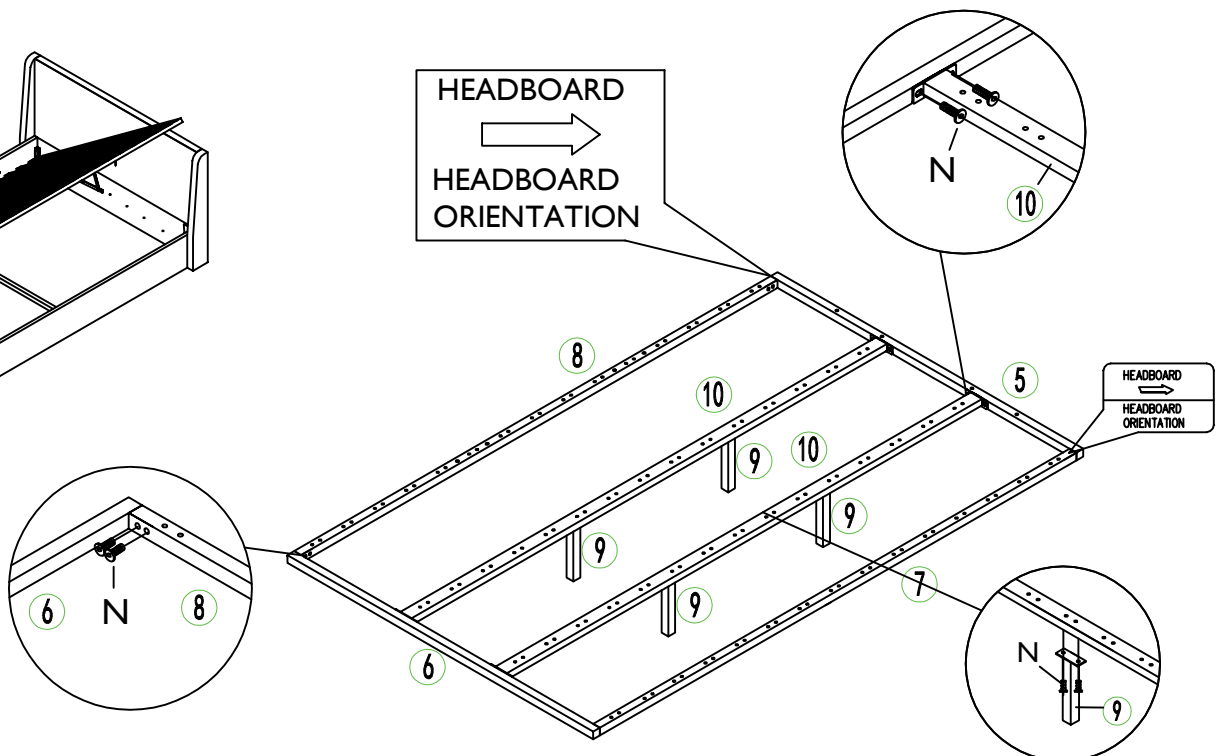
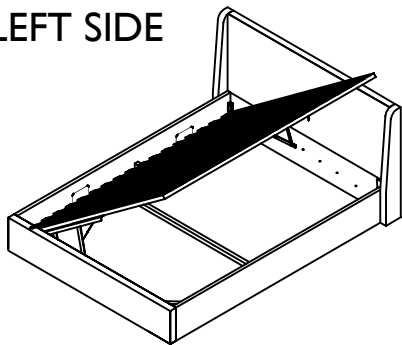


N  24pcs
Bolt M8x15



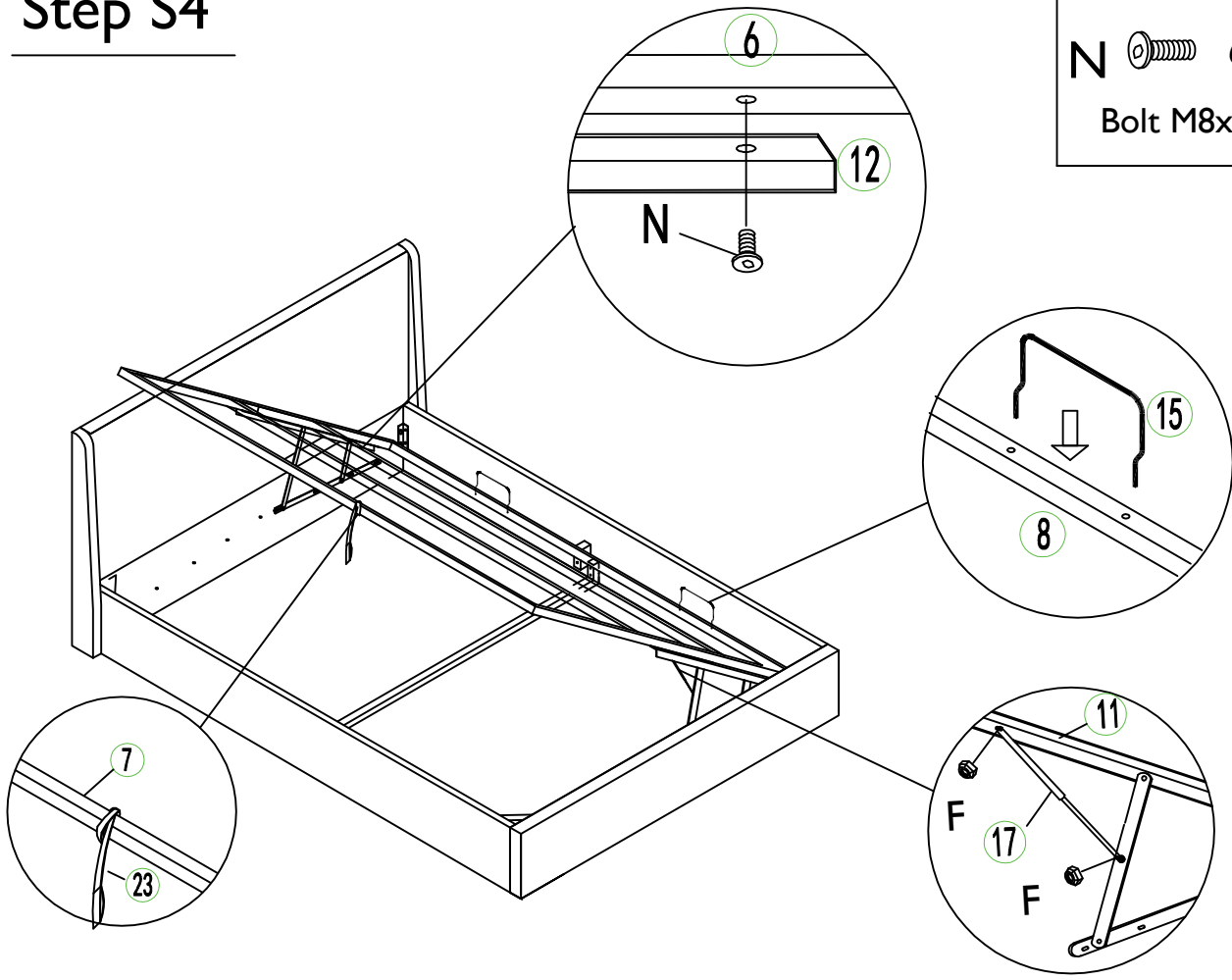
OR

LEFT SIDE



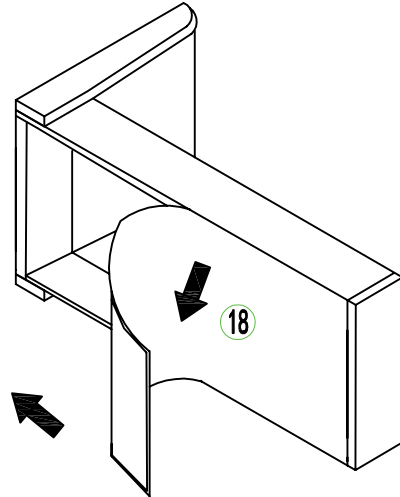
Step S4

N  6pcs
Bolt M8x15





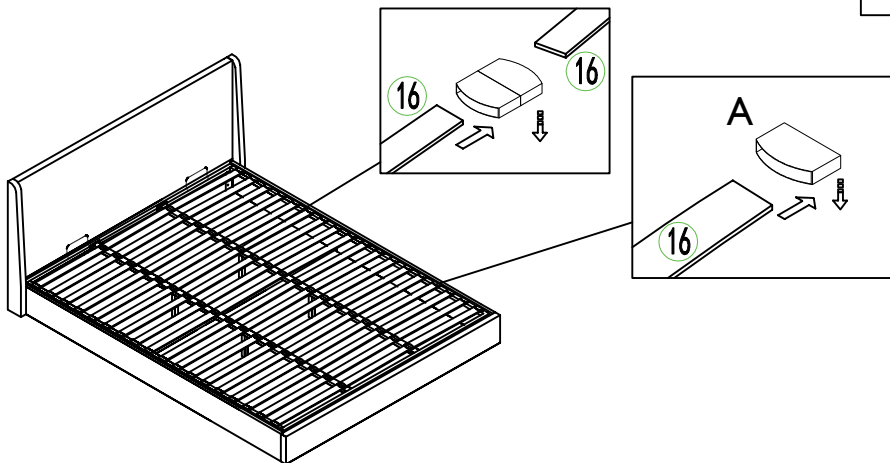
COMPLETE ASSEMBLY ON NEXT PAGE

Attach Non woven fabric
Turn bed on its side and attach the fabric as shown

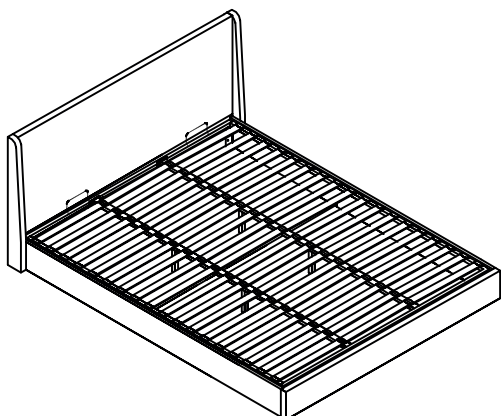


Add slats

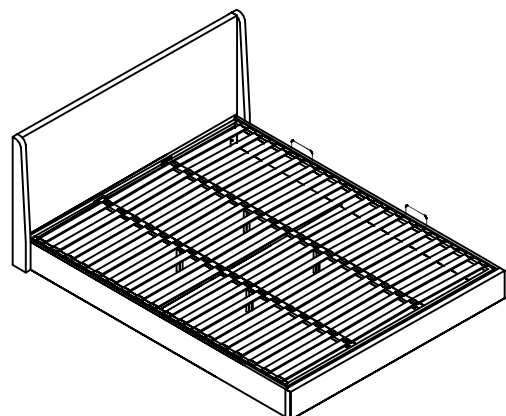
A  36pcs	B  36pcs
Single Plastic Cap	Double Plastic Cap



Assembly Complete



OR



IMPORTANT NOTICE

OTTOMAN OPERATING INSTRUCTIONS

Once your bed frame is completely assembled the slat unit will not operate correctly unless a mattress is placed on the slat frame. Position the mattress on the slat frame whilst it is in the closed position.

Operate the strap handle to open and close the ottoman. **PLEASE NOTE** - it takes a lot of force to make the initial movement of the ottoman. This is a design feature of the product so it does not fall shut - the nearer to being closed the ottoman is, the easier it is to move. When the ottoman is almost shut it will close completely under its own weight.

When lowering the slat unit for the first time, take care to make sure it does not rub unevenly on the inside face of the side rails. If it does, the bed has been assembled slightly out of square. This can be reflected by moving the foot end of the bed slightly to the left or right whilst leaving the head end stationary.

PISTONS

The pistons used in the construction of this product are extremely strong and cannot be operated by hand when taken off the ottoman. All pistons are tested for correct pressure and operation before being attached to the slat unit.

Initially it might appear that the pistons are very stiff when opening and closing the ottoman - **THIS IS PERFECTLY NORMAL.**

After operating the ottoman a few times, the movement of the pistons and the opening and closing of the ottoman will become easier.

WARNING

For the safety of yourselves and others, please ensure that:

- Only the handle is used when lifting and lowering the frame. Failure to comply with this warning may result in injury and finger entrapment.
- The handle is attached and always left visible on the outside of the bedstead frame.
- The metal frame is fully raised in the full 'Up' position before using the ottoman space, otherwise the frame could close (fall) or open (spring up) causing injury.
- Children and pets are not left unattended when the frame is in the lifted position as they could become trapped inside the ottoman space.
- Please keep children and pets away from the ottoman bedstead whilst opening and closing the slat frame to avoid injury.
- The items store under the bed - i.e. the top of an item must not touch the underside of the mattress metal frame base or it may get damaged.

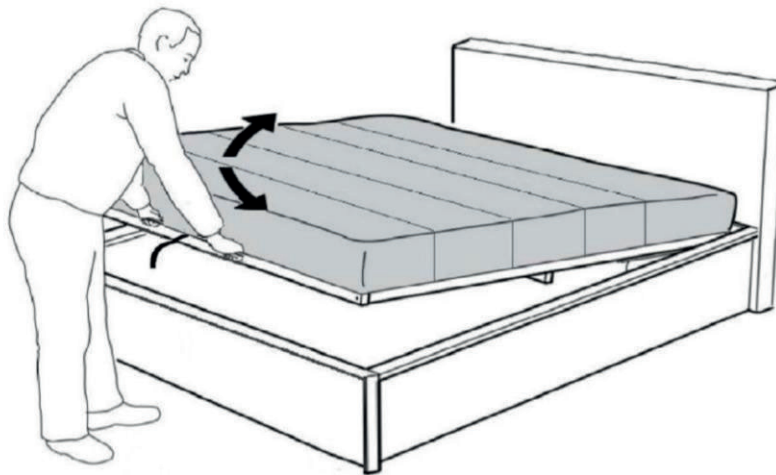
Hints and Tips

Failure to do so may result in injury.

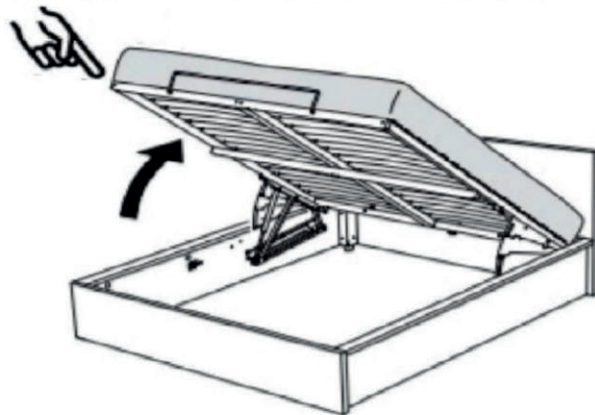
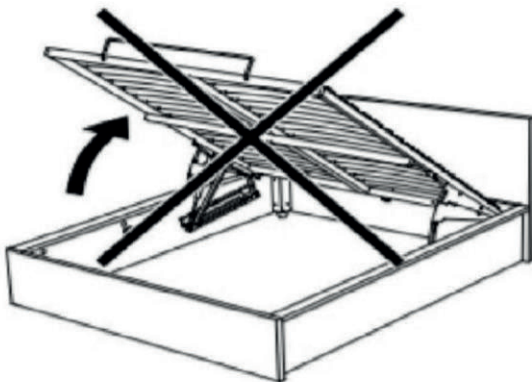
To operate the ottoman, always use two hands at arm's length to push down on the bed frame end, in between the 2 rows of slats (as shown below) to close the bed frame.

To open, lift up using the nylon strap on the bed end. You must always ensure the mattress is on the bed frame before lifting to open and close the bed frame.

The weight of the mattress loaded on the frame helps to close the bed frame easier and with less effort, also keep the frame in closed position until it is pulled upwards by user.

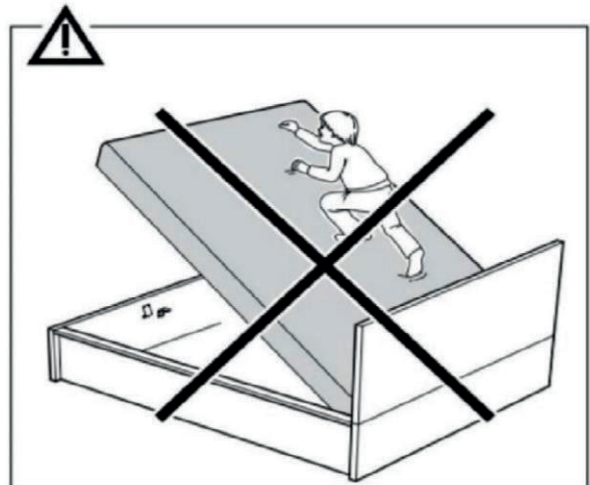
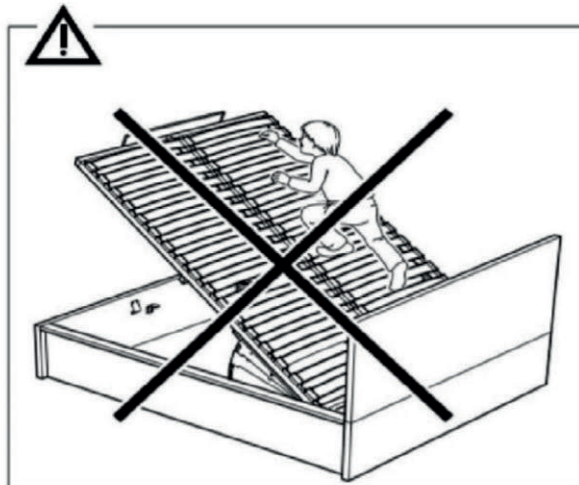
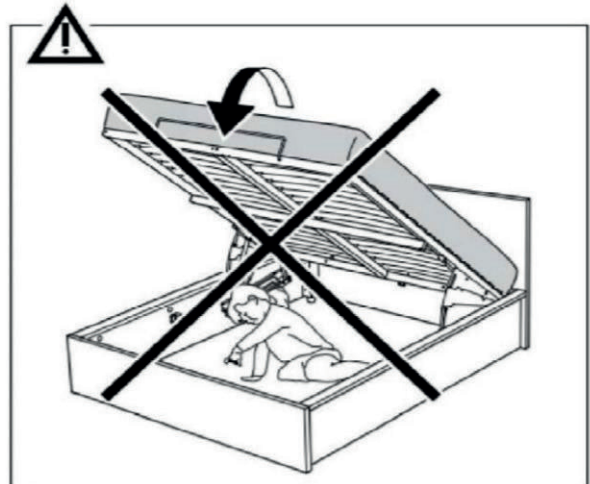
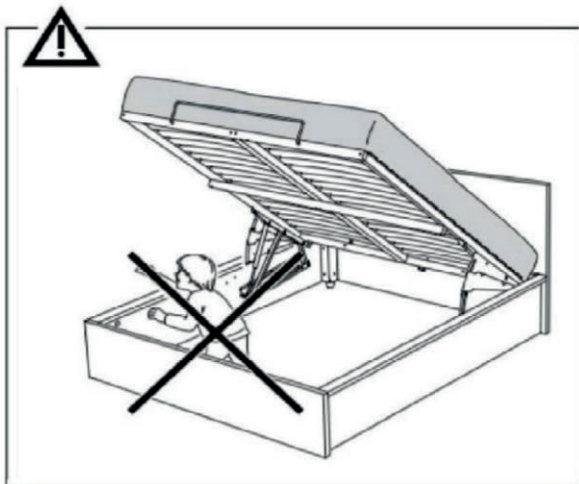


Always ensure Mattress is on the bed frame



Hints and Tips

Failure to do so may result in injury.



Bed frame must be in **CLOSED** position, with Mattress on the bed when moving the bed.

