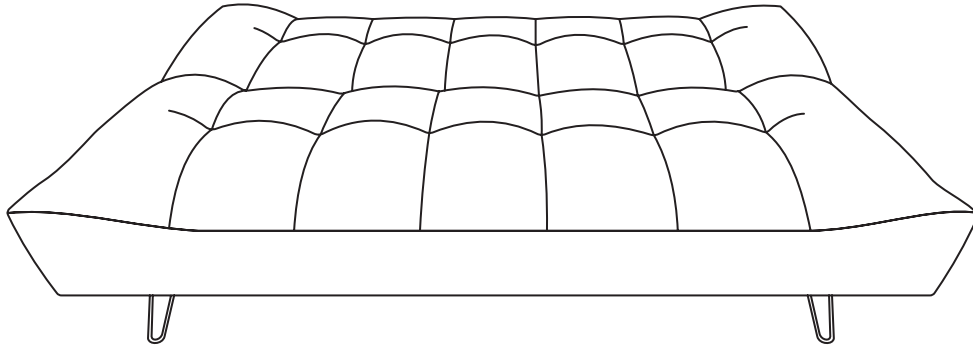
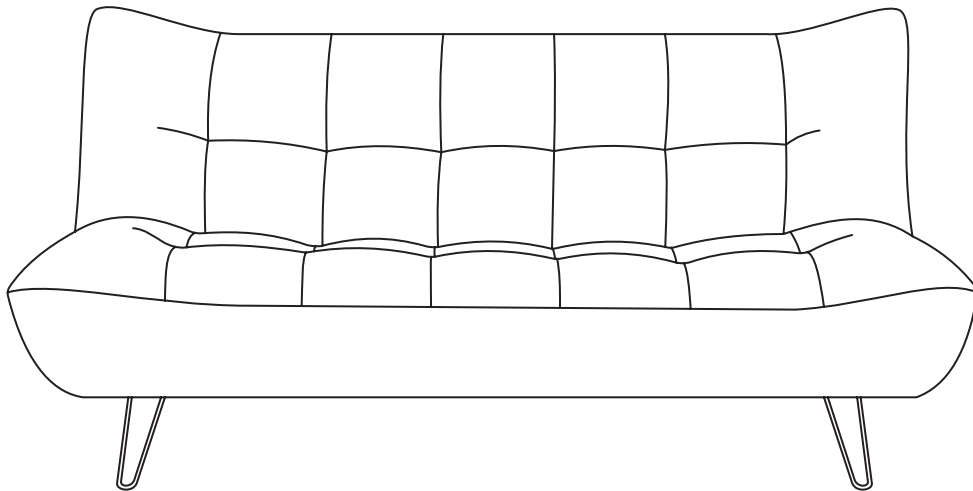


USING YOUR SOFA BED

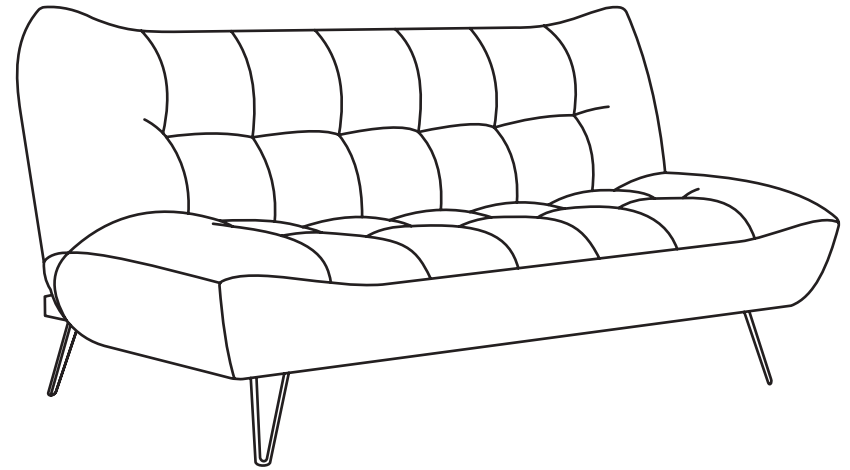
FROM SOFA TO BED: Hold the back of the sofa and tilt forward towards seat until you hear ONE click. Gently tilt the back into the bed position.



FROM BED TO SOFA: Lift the back until you hear ONE click to place it in a recliner position. Lift the back until you hear TWO clicks for the fully upright sofa position.



FABRIC CONTENT
MAIN FABRIC 100% POLYESTER
OTHER FABRIC (VISIBLE)
NON-WOVEN FABRIC 100% POLYESTER



KYI07 SOFA BED

Thank you for your purchase. The following care instructions will allow you to make the most of your sofa bed; helping to prolong the look and life of it by preventing wear and damage.

IMPORTANT INFORMATION

PLEASE ENSURE YOU READ THIS LEAFLET BEFORE USING YOUR SOFA BED. DO NOT DISCARD OF ANY PACKAGING UNTIL YOU HAVE CHECKED THE PRODUCT THOROUGHLY.

CARING FOR YOUR SOFA BED

- Pre-brush fabric with a soft brush and then gently vacuum.
- Plump any accent/removable cushions regularly to prevent them becoming mis-shaped or flat.
- Use a microfibre cloth to remove dust from wooden surfaces.
- In the event of a spill or stain, use specialist upholstery cleaner or cleaning services.

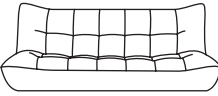
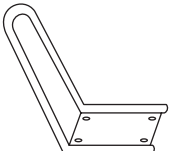

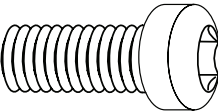
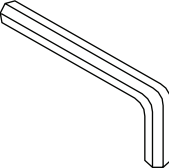
SUNLIGHT AND HEAT DAMAGE

- Avoid contact with direct sunlight. If needed, move items or change their position to avoid the same area being exposed to repeated sunlight/heat.
- Do not place your sofa bed close to fire places and/or radiators.
- Hot objects such as mugs/plates can permanently mark the fabric and wood, avoid placing these on the sofa bed.

SAFETY WARNING

- Do not allow children or pets to climb or jump on the sofa bed.
- Avoid contact with sharp objects such as buckles, toys and jewellery as these can easily snag, tear and/or pull the fabric.
- Avoid the risk of entrapment by using the sofa bed as intended; sitting facing forward on the seat.
- Do not allow children to operate the sofa bed mechanism.
- Keep small parts and bags away and out of reach of children and pets.

PARTS LIST

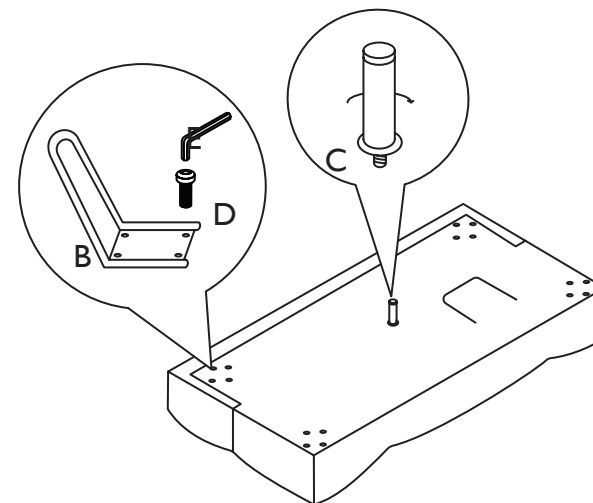
| IMAGE | DESCRIPTION | PART NO. | QTY |
|---|-------------|----------|-----|
|  | Sofa Bed | A | 1 |
|  | Legs | B | 4 |
|  | Support Leg | C | 1 |
|  | Bolts | D | 16 |
|  | Allen Key | E | 1 |

ASSEMBLY INSTRUCTIONS

Unpack your sofa bed and check that all the parts on the Parts List are present - these may be in a zip compartment within the base. If any are missing, please contact the retailer from whom you purchased the product.

STEP 1

Assemble your sofa bed on a flat, soft surface to prevent any damage. Safely position the Sofa Bed (A) in a way that allows you to attach the Legs (B) and Support Leg (C) using the Bolts (D) and the Allen Key (E).



STEP 2

Carefully place the sofa bed on its legs - your sofa bed is ready for use.

