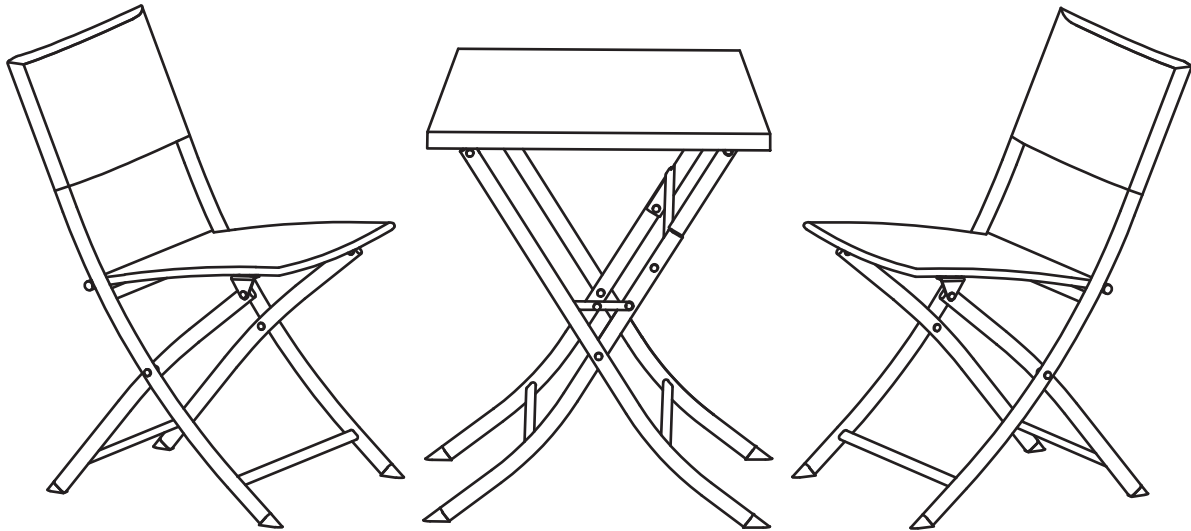


Product size:

TABLE: W61*D61*H72CM X 1;

CHAIR: W46*D56*H79 CM X 2



**Furniture should be covered/stored whilst not in use to prolong its longevity.
(It should also be covered in adverse weather.)**

The frame of this product is manufactured from mild steel coated with a weather resistant paint. Steel has a natural tendency to rust over time and, whilst we expect you to be able to enjoy your furniture for many years to come, we recommend that you check the product from time to time for signs of paint damage and/ or rust. If the paint should become damaged, or if rust begins to form, you should clean the affected area and apply a suitable “thinners based” touch-up paint. Such paints are readily available for all good hardware and DIY stores.

The intended use of this product is for domestic use only!

Important, please retain for future reference.

Read carefully.

Before you start

Warnings

IMPORTANT, RETAIN FOR FUTURE REFERENCE READ CAREFULLY

See enclosed instructions for assembly, safety and care information.

Failure to follow the warnings could result in serious injury. Handle heavy parts with care.

Ensure that this product is fully assembled as illustrated before use.

This product should only be used on firm, level ground.

This product is intended for **domestic** use only.

Keep small parts out of reach of children.

Ensure the product is always placed on level ground.

Furniture can be dangerous if incorrectly used. No liability will be accepted for damage or injury caused by incorrect use of this product.

As with all articulated furniture, please exercise care when folding, unfolding or adjusting positions to avoid any possibility of pinching or trapping fingers.

Take care when opening and folding the furniture. Keep your hands away from moving parts in order to prevent trapping your fingers. Children should not open or close the furniture.

Please take care when handling or moving the product as careless handling may cause damage or injury.

Dos

When you are ready to start, make sure that you have the right tools, plenty of space and a clean, dry area for assembly.

Unwrap all packaging materials and place the components on suitable surface to prevent scratching your product.

Check the pack and make sure you have all parts listed. In the event of problems or missing parts, please contact the seller.

This product is suitable for all year outdoor use. However, to prolong its life we recommend that during severe weather conditions, including high winds, rain, hail, thunderstorms, extreme heat and cold temperatures, the product should be stored inside in a cool, dry place.

To best preserve the synthetic rattan, please use a protective cover when your furniture is not in use. We would also recommend using a gazebo or parasol over your furniture during the summer period and prolonged sunny spells. This will help prevent harmful UV rays from damaging and discolouring the material.

Wash the frame with a mild soap and water only. Rinse and dry thoroughly.

Ensure that the furniture is clean and completely dry before putting in to storage.

In the event of the surface paint chipping or scratching, the easiest way to treat the problem is to treat with a spray paint/aerosol lacquer spray, equivalent to the colour of the furniture. This will prevent the metal from being exposed, preventing it from further deterioration.

Where instructions as to the; storage, commissioning, installation, use and maintenance of the goods or (if there is none) good trade practice are not followed and a defect arises this will void the 12 month manufacturer's guarantee on the product.

Don'ts

Do not use a metal brush when removing dirt from this item, as it will strip the paint off leaving the surface open to corrosion.

Do NOT use the table as a chopping surface. Do not strike the table with hard or pointed items.

Do NOT place very hot or very cold items on the table surface(s) unless adequately thick tablemats are used to prevent such items from coming into contact with the table.

Do NOT enclose the product in a plastic or other non-permeable material as this creates moisture.

Do not use this product if parts are missing, damaged or worn.

Never use scourers, abrasives or chemical cleaner.

Never drag furniture when moving it, always lift it.

Do NOT sit or stand upon the table surface(s).

Do NOT use the chair as a ladder.

Do NOT stand on the seat of the chair.

Do NOT climb on the chair.

Never tilt the chair. Ensure the chair is always placed firmly on a solid level surface.

Number of people required

One Person



Time to assemble

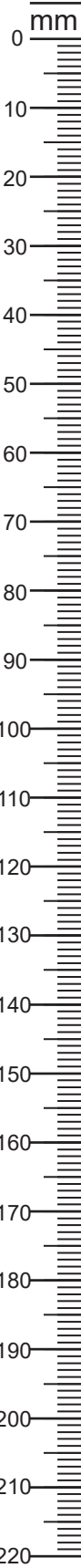


3 minutes

Tools required

None

THIS BISTRO SET REQUIRES NO ASSEMBLY



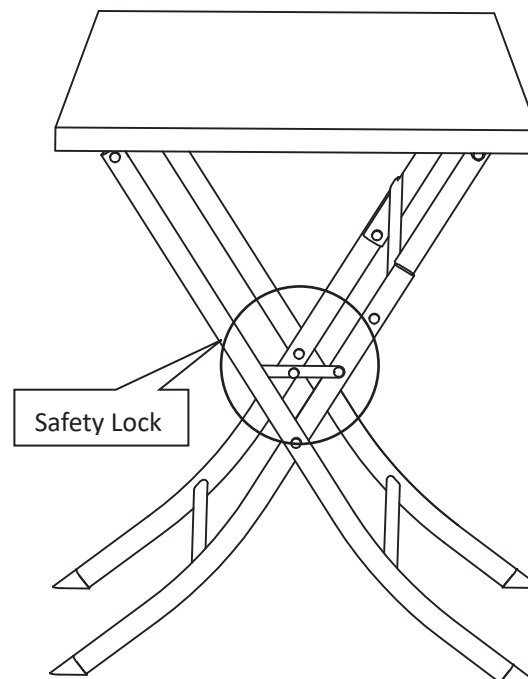
Step by step use instructions

Warning

As with all articulated furniture, please take care when opening and closing to avoid the possibility of pinching or trapping fingers.

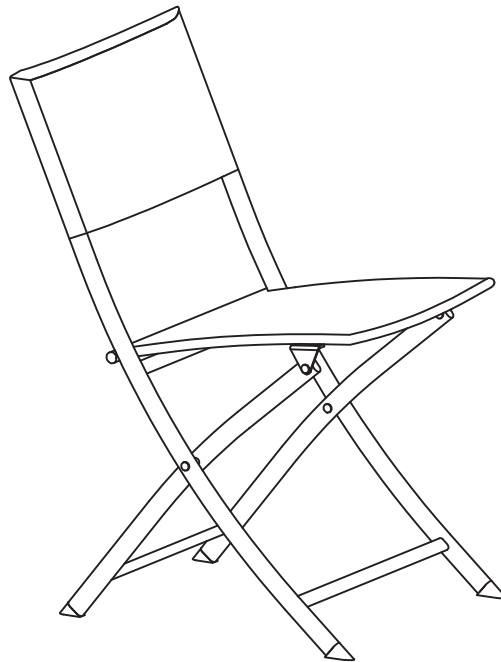
Opening and Closing the Table

1. Place the table legs on a flat level surface, gradually lift lower edge of the table top and open out;
2. Make sure the table top is horizontal, press the safety lock, your table is now ready for use;
3. The table is folded by reversing the above steps.



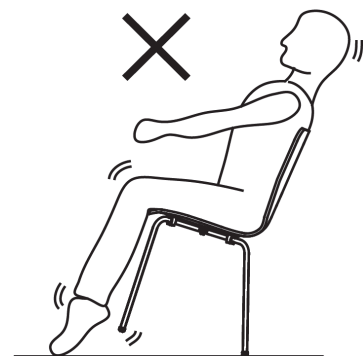
Opening and Closing the Chair

1. To unfold the chair, lower the back edge of the seat and open out the chair legs until the seat is horizontal;
2. Place the chair on a flat level surface, your chair is now ready for use.
3. The chair is folded by reversing the above steps.



Never tilt the Chair during use.
Ensure the product is always placed firmly
on the ground.

During use, please don't use your finger to touch
any articulated parts to avoid injury.



PLEASE KEEP THESE INSTRUCTIONS FOR FUTURE REFERENCE