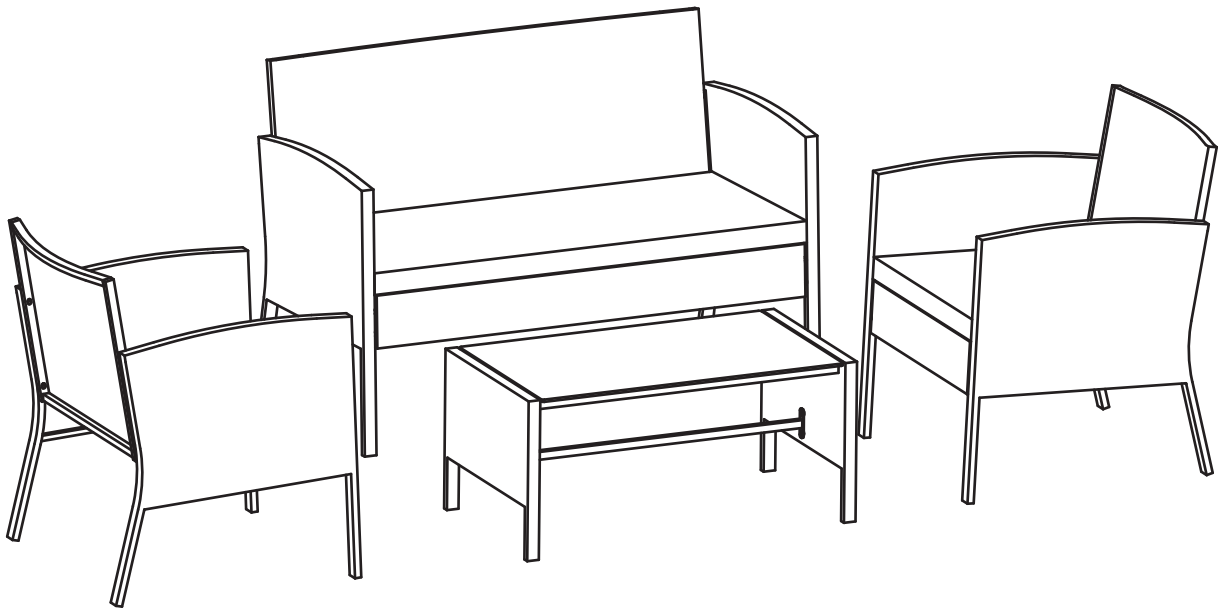


Product size:

COFFEE TABLE: W44.5*D81*H39.5 CM X1

ARMCHAIR: W59*5 D63*5 H76 CM X 2

BENCH: W120*D63.5* H76 CM X 1



**Furniture should be covered/stored whilst not in use to prolong its longevity.
(It should also be covered in adverse weather.)**

This product is for Domestic use only!

The intended use of this product is for domestic use only!

Important, please retain for future reference.

Read carefully.

Before you start



Warnings

IMPORTANT, RETAIN FOR FUTURE REFERENCE READ CAREFULLY

See enclosed instructions for assembly, safety and care information.

Failure to follow the warnings could result in serious injury.

Handle heavy parts with care.

Ensure that this product is fully assembled as illustrated before use.

This product should only be used on firm, level ground.

Keep small parts out of reach of children.

Do not stand or climb onto this product.

This product is intended for **domestic use** only.

Furniture can be dangerous if incorrectly used. No liability will be accepted for damage or injury caused by incorrect use of this product.

✓ Dos

When you are ready to start, make sure that you have the right tools, plenty of space and a clean, dry area for assembly.

Unwrap all packaging materials and place the components on suitable surface to prevent scratching your product.

Check the pack and make sure you have all parts listed. In the event of problems or missing parts, please contact the seller.

Check all screws and bolts are tightened and inspect regularly.

This product is suitable for all year outdoor use. However, to prolong its life we recommend that during severe weather conditions, including high winds, rain, hail, thunderstorms, extreme heat and cold temperatures, the product should be stored inside in a cool, dry place.

To best preserve the synthetic rattan, please use a protective cover when your furniture is not in use. We would also recommend using a gazebo or parasol over your furniture during the summer period and prolonged sunny spells. This will help prevent harmful UV rays from damaging and discolouring the material.

PLEASE NOTE - All cushions should be stored indoors after use. The cushions are not waterproof.

Ensure that the product is clean and dry before storage.

Clean your product with a sponge and warm soapy water then wipe with a clean, dry cloth.

When cleaning glass panels use a damp cloth or leather with washing up liquid or soft soap if necessary.

Where instructions as to the; storage, commissioning, installation, use and maintenance of the goods or (if there is none) good trade practice are not followed and a defect arises this will void the 12 month manufacturer's guarantee on the product.

✗ Don'ts

Do not use scourers, abrasives, washing powders, chemical cleaners or any other substances containing abrasives since these substances can damage the product, including the glass panel.

To preserve the table top design do not place greasy / oily items directly onto the surface. Use place-mats to prevent spillages of food or drink.

Do not place very hot or very cold items on the glass surface unless adequately thick table-mats are used to prevent such items from coming into contact with the glass.

Do not use the glass as a chopping surface.

Do not strike the glass with hard or pointed items.

Do not use power tools to construct this product.

Do not use this product if parts are missing, damaged or worn.

Do not sit or lean on the rims of this product.

Do not stand or climb onto the product and do not use it as a ladder, as this could lead to it unbalancing and overturning.

Never drag furniture when moving it, always lift it.

Number of people required for assembly

Two people



Time to assemble



30 Minutes

Tools required



Tips:

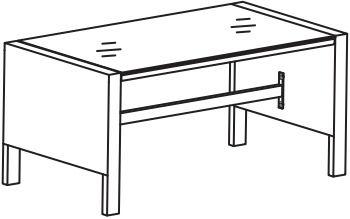
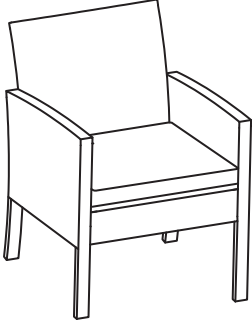
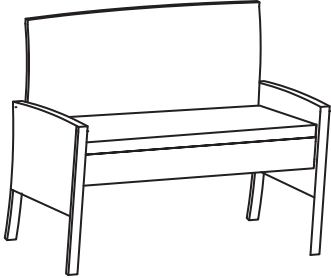
It is best not to fully tighten the nuts and bolts until they are all correctly located. Only carefully tighten them when you are satisfied with the alignment of all components.

Be careful not to overtighten.

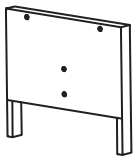

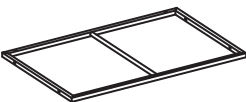
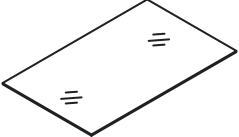
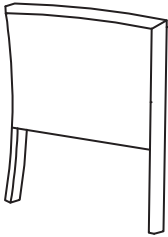
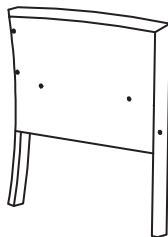
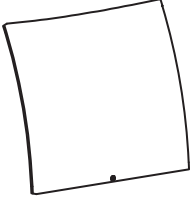
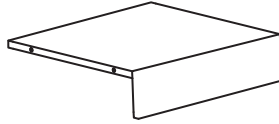


www.royalcraft.co.uk

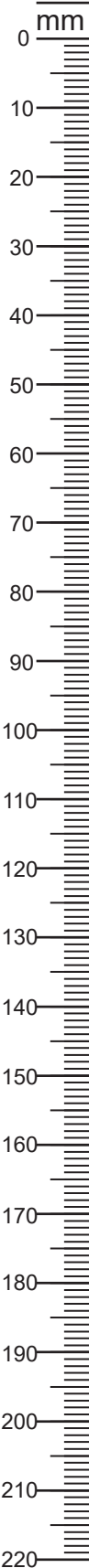
NEVADA CONVERSATION SET

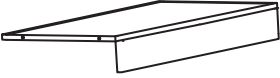

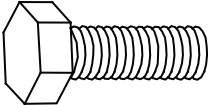
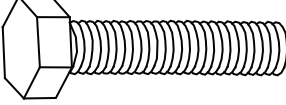
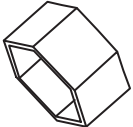
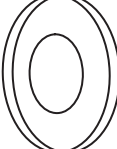

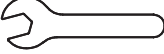
This set includes below parts.

Part No.	Diagram	Name	Qty.
MP1		Coffee Table	1 PC
MP2		Armchair	2 PCS
MP3		Bench	1 PC

Components, fixtures & fittings (not actual size)

Parts List					
Part No.	Diagram	Qty.	Part No.	Diagram	Qty.
A	 Coffee Table Leg	2 PCS	B	 Connecting Bar	1 PC
C	 Table Top Panel	1 PC	D	 Glass Top	1 PC
E	 Right Armrest/Leg	3 PCS	F	 Left Armrest/Leg	3 PCS
G	 Armchair Backrest	2 PCS	H	 Armchair Seat	2 PCS
I	 Armchair Cushion	2 PCS	J	 Bench Backrest	1 PC



K	 Bench Seat	1 PC	L	 Bench Cushion	1 PC
W15	 M6*15mm Bolt	4 PCS	W35	 M6*35mm Bolt	38 PCS
F2	 Bolt Head Cap	42 PCS	F3	 Flat Washer	42 PCS
F4	 Spring Washer	42 PCS	S1	 Spanner	1 PC

Please note the diagram is for reference only, it may not fully represent the actual appearance of the parts.

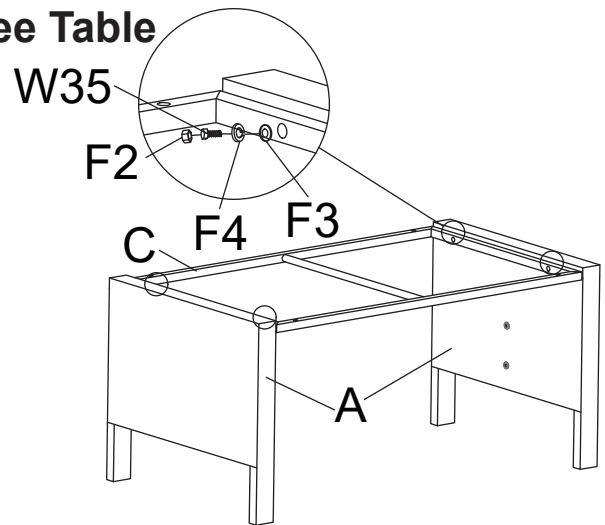
Bolt Head Caps can only be attached when all Bolts are tightened.

Step by step assembly instructions

MP1 – Coffee Table

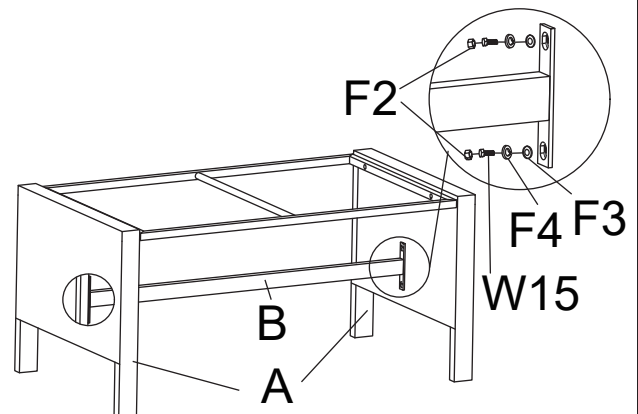
Step One

Place the Coffee Table Legs (A) on the ground. Attach them with Table Top Panel (C) using Flat Washers (F3), Spring Washers (F4) Bolts (W35) and Bolt Head Caps (F2). Don't fully tighten the bolts at this stage.



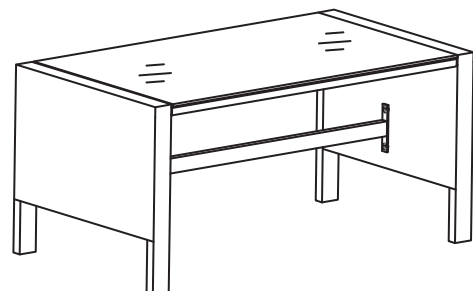
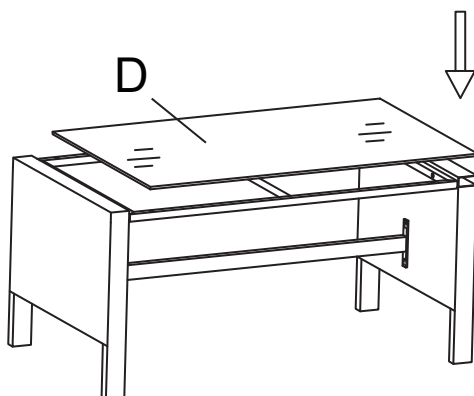
Step Two

Attach the Connecting Bar (B) between Legs (A) using Flat Washers (F3), Spring Washers (F4) Bolts (W15) and Bolt Head Caps (F2). Once you are satisfied with the alignment of the components, carefully tighten all bolts using Spanner (S1), then cover all Bolts with Bolt Head Caps (F2).



Step Three

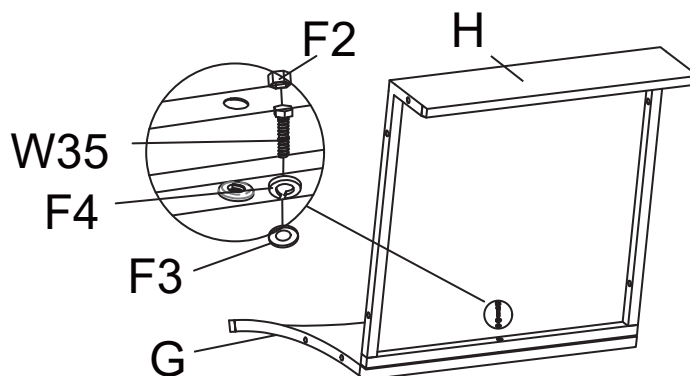
Carefully place the Glass top (D) onto the assembled frame, taking care to ensure that it aligns with the frame and fully rests on the plastic pads. Your Coffee table is now ready for use.



MP2 – Armchair

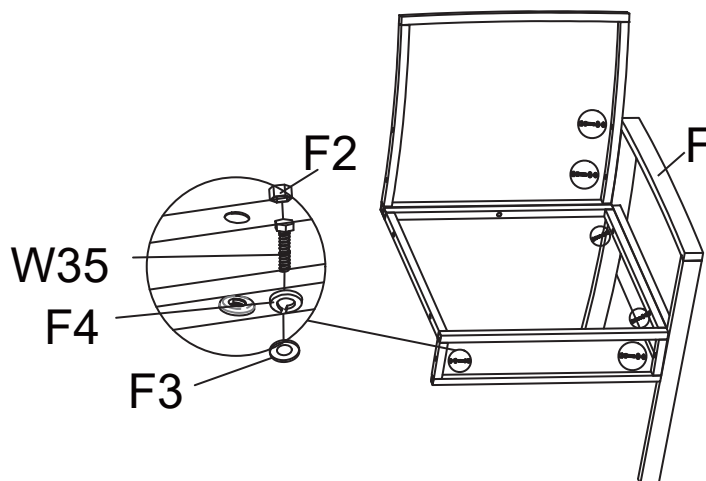
Step One

Attach the Armchair Seat (H) to the Armchair Backrest (G) using Flat Washer (F3), Spring Washer (F4), Bolt (W35) and Bolt Head Cap (F2). Don't fully tighten the bolts at this stage.



Step Two

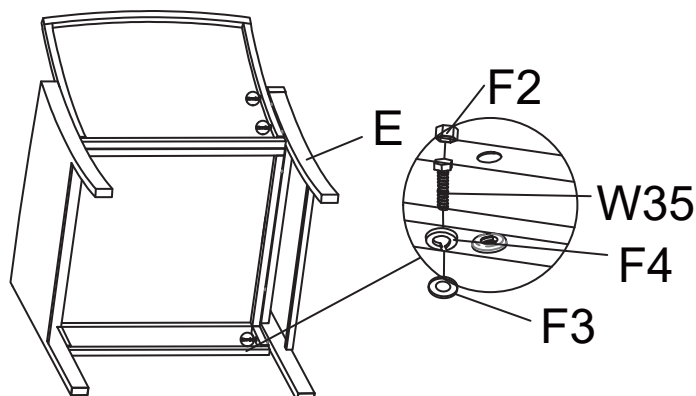
Attach the Left Armrest/Leg (F) to the above partly-assembled parts using Flat Washers (F3), Spring Washers (F4) Bolts (W35) and Bolt Head Caps (F2). Don't fully tighten the bolts at this stage.



Step Three

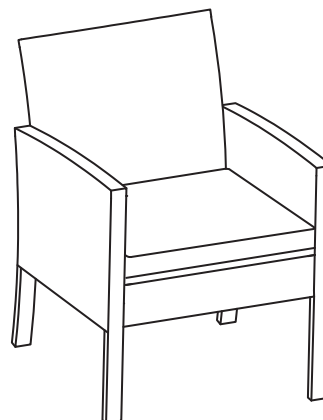
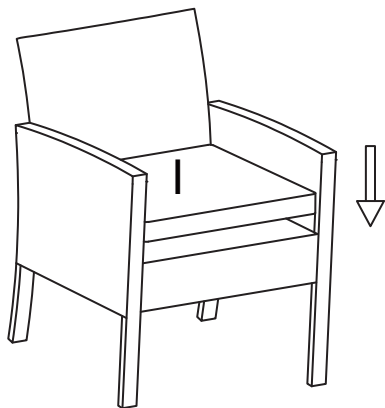
Attach the Right Armrest/Leg (E) to the above partly-assembled parts using Flat Washers (F3), Spring Washers (F4) Bolts (W35) and Bolt Head Caps (F2).

Once you are satisfied with the alignment of the components, carefully tighten all bolts using Spanner (S1), then cover all Bolts with Bolt Head Caps (F2).



Step Four

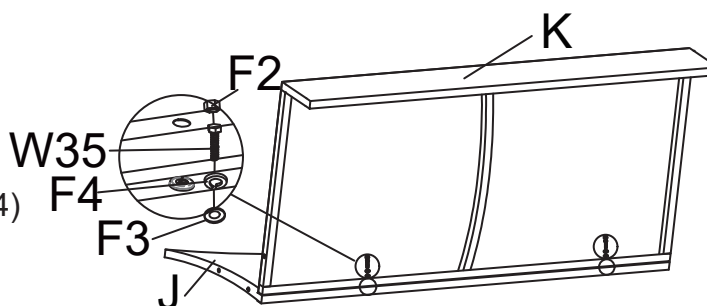
Place the Armchair Cushion (I) onto the seat.
Your Armchair is now ready for use.



MP3 – Bench

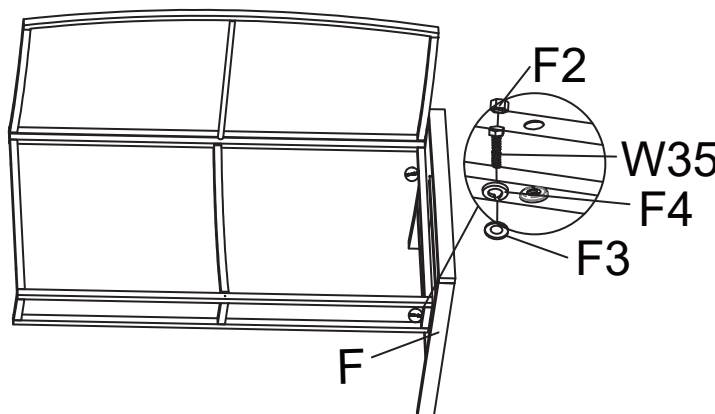
Step One

Attach the Bench Seat (K) to the Bench Backrest (J) using Flat Washer (F3), Spring Washer (F4) Bolt (W35) and Bolt Head Cap (F2). Don't fully tighten the bolts at this stage.



Step Two

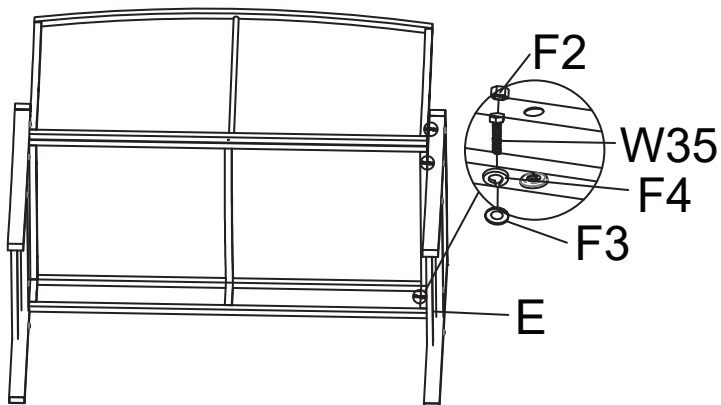
Attach the Left Armrest/Leg (F) to the above partly-assembled parts using Flat Washers (F3), Spring Washers (F4) Bolts (W35) and Bolt Head Caps (F2). Don't fully tighten the bolts at this stage.



Step Three

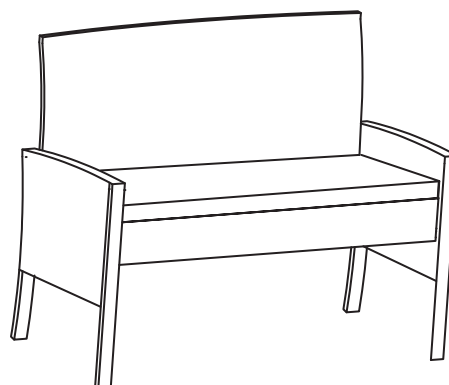
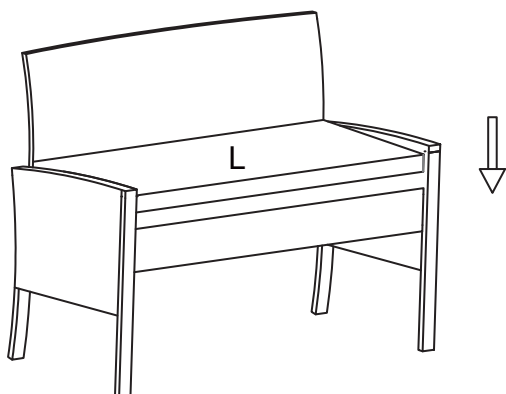
Attach the Right Armrest/Leg (E) to the above partly-assembled parts using Flat Washers (F3), Spring Washers (F4) Bolts (W35) and Bolt Head Caps (F2).

Once you are satisfied with the alignment of the components, carefully tighten all bolts using Spanner (S1), then cover all Bolts with Bolt Head Caps (F2).

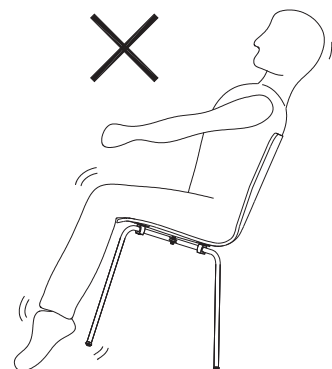


Step Four

Place the Bench Cushion (L) onto the seat. Your Bench is now ready for use.



Never tilt the Armchair or Bench during use. Ensure the product is always placed firmly on the ground.



PLEASE KEEP THESE INSTRUCTIONS FOR FUTURE REFERENCE